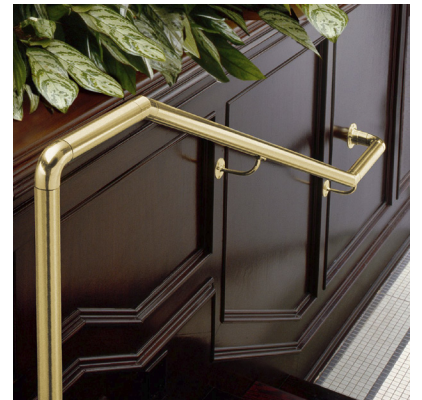


2023 PRODUCT GUIDE

BuyRailings

ARCHITECTURAL &
INDUSTRIAL RAILINGS





CONTENTS

ABOUT US.....	3
RAILING SYSTEMS.....	4
Cable Railing Posts _____	6
C.A.T. Cable Railing Posts _____	12
Crossbar Railing Posts _____	26
Glass Railing Posts _____	30
Aluminum Base Glass Rail _____	35
Partition Systems _____	36
Booth Dividers _____	39
Quik Connect™ Mesh Panel System _____	47
Picket Rail System _____	48
PVC Railing Systems _____	52
Channel Tubing Fittings _____	58
LED Railing _____	62
Rectangular Line _____	70
Square Line _____	74
Wood Line _____	83
Single Line Ball Posts _____	89
Double Line Ball Posts _____	90
Low Line Ball Posts _____	91
Single Line Flush Posts _____	92
Double Line Flush Posts _____	93
Low Line Flush Posts _____	94
Prefabricated Aluminum Posts _____	95
Hollaender - Speed Rail _____	96
Hollaender Interna-Rail® _____	126
QuickRail® & Galvanized Fittings _____	135
COMPONENTS.....	160
Tubing _____	162
Pipes (Aluminum & Steel) _____	167
Brackets _____	171
Flanges _____	192
End-Caps & Finials _____	200
Saddles & Connectors _____	205
Glass Clips _____	214
Flush Fittings _____	219
Ball Fittings _____	229
KITS	234
CLOSETS.....	254
SAFETY	264
Gates _____	266
Safety Railing _____	268
Portable Roof Fall Protection _____	270
ACCESSORIES	272
Index	280



ABOUT US

BuyRailings is a division of Lido Designs, Inc. Established in 2002, we are a North American Manufacturer and distributor offering an endless variety of consumer and commercial top quality products such as components for architectural railings, safety railings, kitchen & bar railings, tubing, pipe, closet hardware, and more!

Our Corporate Mission is to be a respected leader in the railings and architectural products industry. We strive for corporate growth and superior customer satisfaction by facilitating and achieving the 5 Rs' – Right Product, Right Place, Right Time, Right Quantity, and Right Cost for the entire BuyRailings and LIDO Designs product portfolio. All company staff strive to always exceed customer

expectations via phone, email, and in-person customer contact.

At BuyRailings.com, our focus is to develop long-term relationships with our customers and clients. We work hard to serve you with integrity and high quality support. We continuously improve our materials sourcing and quality control in order to bring you the best products in the market today. You will find our products in business, government, healthcare, hospitality, industrial, public and residential environments. We take great pride in our products and our company and believe we offer the best solutions - saving you time and money.

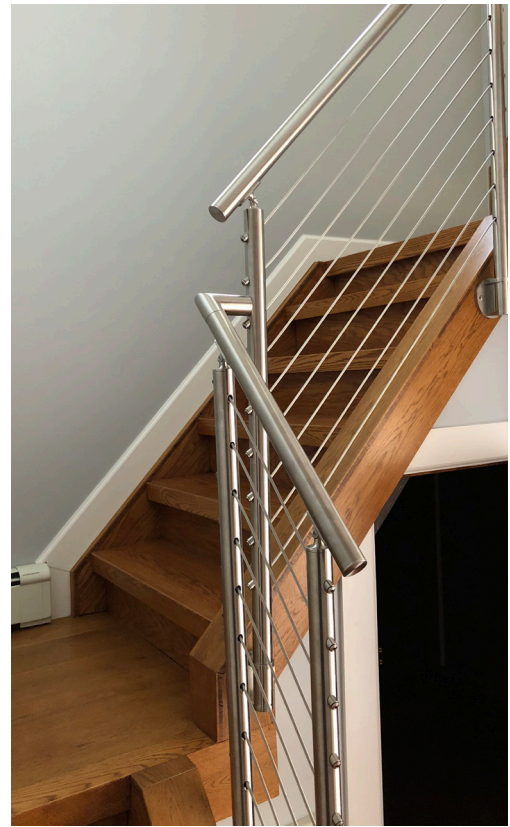


BuyRailings Office & Warehouse
71 Commerce Drive
Brookfield, CT 06804

sales@buyrailings.com

877-810-4116

RAILING



SYSTEMS

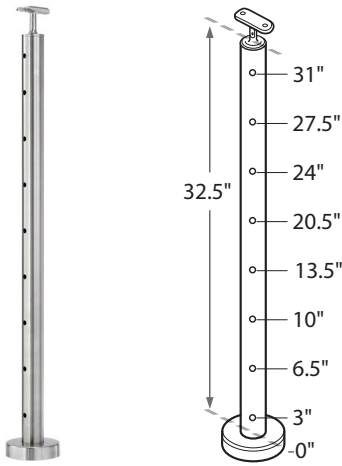


CABLE RAILING POSTS

The ultra-modern look of stainless steel paired with uninterrupted views made by the streamlined geometry of parallel cables is what makes cable systems a sought-after choice for railing projects. Integral to this architectural sophistication is our selection of sleek, sturdy and elegantly crafted stainless steel posts made from high-strength, 316 grade stainless steel. Clean design and engineered proportionality make for a great DIY installation. The result is a pristine looking railing system that hardly needs maintenance and lasts for years.

C424/36/F/B 36" FLOOR POST

Prefabricated round posts for 1/8" or 3/16" cable in satin stainless steel.



Item #	Description	Position
--------	-------------	----------

FLOOR MOUNT ADJUSTABLE TOP SADDLE

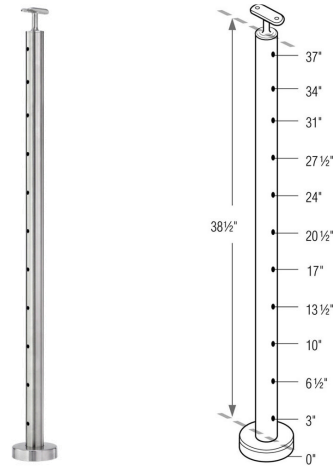
49-C424/36/F/B/S/AS	Round Post, 1.67" OD (42.4mm) x 0.08" Wall	Stair
49-C424/36/F/B/ES/AS	Round Post, 1.67" OD (42.4mm) x 0.14" Wall	End Stair

FLOOR MOUNT FIXED TOP SADDLE

49-C424/36/F/B/C/SF	Round Post, 1.67" OD (42.4mm) x 0.08" Wall	Center
49-C424/36/F/B/L/SF	Round Post, 1.67" OD (42.4mm) x 0.14" Wall	Corner
49-C424/36/F/B/E/SF	Round Post, 1.67" OD (42.4mm) x 0.14" Wall	End

C424/42/F/B 42" FLOOR POST

Prefabricated round posts for 1/8" or 3/16" cable in satin stainless steel.



Item #	Description	Position
--------	-------------	----------

FLOOR MOUNT ADJUSTABLE TOP SADDLE

49-C424/42/F/B/C/AS	Round Post, 1.67" OD (42.4mm) x 0.08" Wall	Center
49-C424/42/F/B/S/AS	Round Post, 1.67" OD (42.4mm) x 0.08" Wall	Stair
49-C424/42/F/B/ES/AS	Round Post, 1.67" OD (42.4mm) x 0.14" Wall	End Stair

FLOOR MOUNT FIXED TOP SADDLE

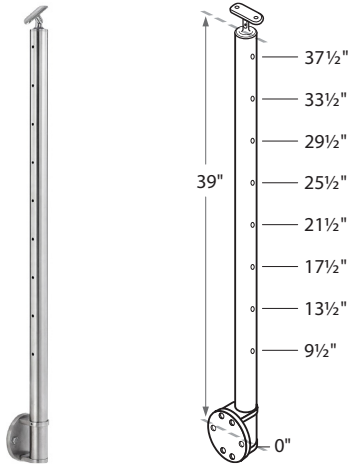
49-C424/42/F/B/C/SF	Round Post, 1.67" OD (42.4mm) x 0.08" Wall	Center
49-C424/42/F/B/L/SF	Round Post, 1.67" OD (42.4mm) x 0.14" Wall	Corner
49-C424/42/F/B/E/SF	Round Post, 1.67" OD (42.4mm) x 0.14" Wall	End



C424/36/F/B CABLE RAILING SYSTEM

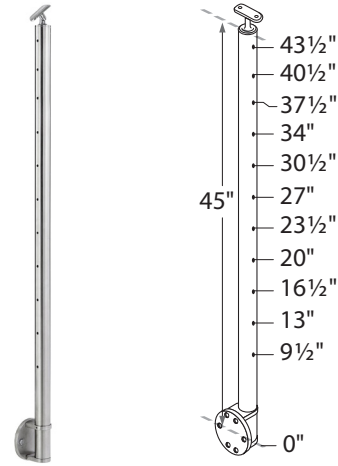
C424/36/W/B 36" FASCIA POST

Prefabricated round posts for 1/8" or 3/16" cable in satin stainless steel.



C424/42/W/B 42" FASCIA POST

Prefabricated round posts for 1/8" or 3/16" cable in satin stainless steel.



Item #	Description	Position
FASCIA MOUNT ADJUSTABLE TOP SADDLE		
49-C424/36/W/B/C/AS	Round Post, 1.67" OD (42.4mm) x 0.08" Wall	Center
49-C424/36/W/B/S/AS	Round Post, 1.67" OD (42.4mm) x 0.08" Wall	Stair
49-C424/36/W/B/ES/AS	Round Post, 1.67" OD (42.4mm) x 0.14" Wall	End Stair
FASCIA MOUNT FIXED TOP SADDLE		
49-C424/36/W/B/C/SF	Round Post, 1.67" OD (42.4mm) x 0.08" Wall	Center
49-C424/36/W/B/E/SF	Round Post, 1.67" OD (42.4mm) x 0.14" Wall	End

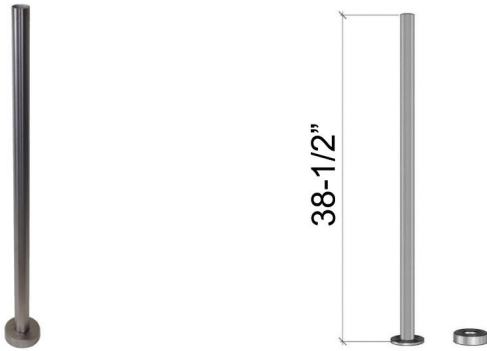
Item #	Description	Position
FASCIA MOUNT ADJUSTABLE TOP SADDLE		
49-C424/42/W/B/C/AS	Round Post, 1.67" OD (42.4mm) x 0.08" Wall	Center
49-C424/42/W/B/S/AS	Round Post, 1.67" OD (42.4mm) x 0.08" Wall	Stair
49-C424/42/W/B/ES/AS	Round Post, 1.67" OD (42.4mm) x 0.14" Wall	End Stair
FASCIA MOUNT FIXED TOP SADDLE		
49-C424/42/W/B/C/SF	Round Post, 1.67" OD (42.4mm) x 0.08" Wall	Center
49-C424/42/W/B/E/SF	Round Post, 1.67" OD (42.4mm) x 0.14" Wall	End



C424/36/F/B CABLE RAILING SYSTEM

U424 UNDRILLED FLOOR POST

Prefabricated round post with tube, welded-on flange, and a flange canopy. Combine with saddles 352, 352A, 352L and 821 and handrail to create a 42" high railing.

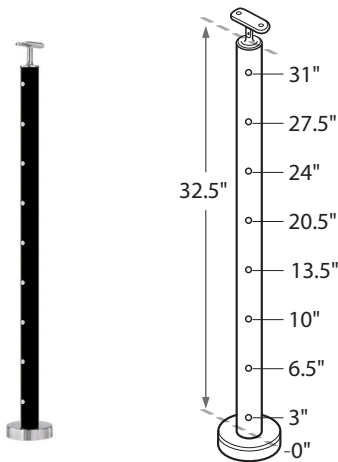


Item #	Description	Tubing Size	Height
SATIN STAINLESS STEEL 316			

49-U424/42/F	Round Post with Flange & Canopy - No Saddle	1.67" OD	42"
--------------	---	----------	-----

BK-C424/36/F 36" FLOOR POST

Prefabricated round posts for 1/8" or 3/16" cable in powder coated flat black.



Item #	Description	Position
FLOOR MOUNT ADJUSTABLE TOP SADDLE		

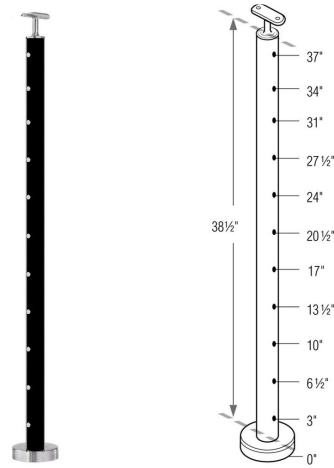
49BK-C424/36/F/S/AS	Round Post, 1.67" OD (42.4mm) x 0.08" Wall	Stair
49BK-C424/36/F/ES/AS	Round Post, 1.67" OD (42.4mm) x 0.14" Wall	End Stair

FLOOR MOUNT FIXED TOP SADDLE		
-------------------------------------	--	--

49BK-C424/36/F/C/SF	Round Post, 1.67" OD (42.4mm) x 0.08" Wall	Center
49BK-C424/36/F/L/SF	Round Post, 1.67" OD (42.4mm) x 0.14" Wall	Corner
49BK-C424/36/F/E/SF	Round Post, 1.67" OD (42.4mm) x 0.14" Wall	End

BK-C424/36/F/B 42" FLOOR POST

Prefabricated round posts for 1/8" or 3/16" cable in powder coated flat black.



Item #	Description	Position
FLOOR MOUNT ADJUSTABLE TOP SADDLE		

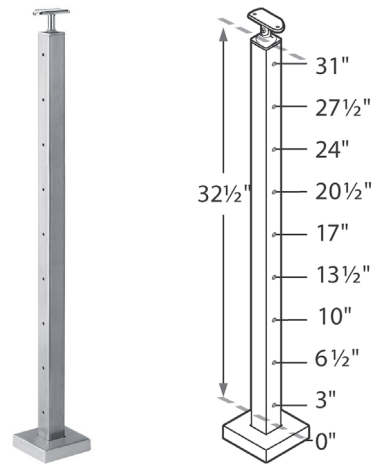
49BK-C424/42/F/S/AS	Round Post, 1.67" OD (42.4mm) x 0.08" Wall	Stair
49BK-C424/42/F/ES/AS	Round Post, 1.67" OD (42.4mm) x 0.14" Wall	End Stair

FLOOR MOUNT FIXED TOP SADDLE		
-------------------------------------	--	--

49BK-C424/42/F/C/SF	Round Post, 1.67" OD (42.4mm) x 0.08" Wall	Center
49BK-C424/42/F/L/SF	Round Post, 1.67" OD (42.4mm) x 0.14" Wall	Corner
49BK-C424/42/F/E/SF	Round Post, 1.67" OD (42.4mm) x 0.14" Wall	End

C161/36/F 36" FLOOR POST

Prefabricated square posts for 1/8" or 3/16" cable in satin stainless steel.



Item #	Description	Position
FLOOR MOUNT ADJUSTABLE TOP SADDLE		

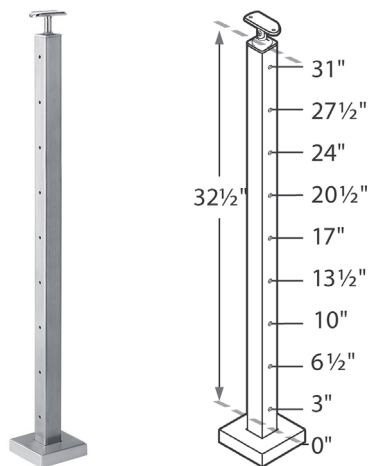
49-C161/36/F/C/AS	Square Post, 1-1/2" x 0.12" Wall	Center
49-C161/36/F/E/AS	Square Post, 1-1/2" x 0.12" Wall	End
49-C161/36/F/CS/AS	Square Post, 1-1/2" x 0.12" Wall	Stair
49-C161/36/F/ES/AS	Square Post, 1-1/2" x 0.12" Wall	End Stair

FLOOR MOUNT FIXED TOP SADDLE		
-------------------------------------	--	--

49-C161/36/F/C/SF	Square Post, 1-1/2" x 0.12" Wall	Center
49-C161/36/F/L/SF	Square Post, 1-1/2" x 0.12" Wall	Corner
49-C161/36/F/E/SF	Square Post, 1-1/2" x 0.12" Wall	End

C161/36/F/F 36" FLOOR POST

Prefabricated square posts for 1/8" or 3/16" cable in satin stainless steel.

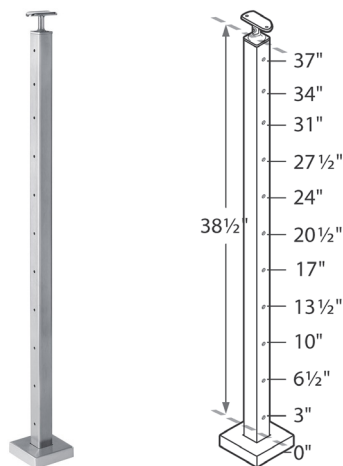


Item #	Description	Position
FLOOR MOUNT ADJUSTABLE TOP SADDLE		
49-C161/36/F/C/ASF	Square Post, 1-1/2" x 0.12" Wall	Center
49-C161/36/F/E/ASF	Square Post, 1-1/2" x 0.12" Wall	End
49-C161/36/F/CS/ASF	Square Post, 1-1/2" x 0.12" Wall	Stair
49-C161/36/F/ES/ASF	Square Post, 1-1/2" x 0.12" Wall	End Stair

Item #	Description	Position
FLOOR MOUNT FIXED TOP SADDLE		
49-C161/36/F/C/SFF	Square Post, 1-1/2" x 0.12" Wall	Center
49-C161/36/F/L/SFF	Square Post, 1-1/2" x 0.12" Wall	Corner
49-C161/36/F/E/SFF	Square Post, 1-1/2" x 0.12" Wall	End

C161/42/F/F 42" FLOOR POST

Prefabricated square posts for 1/8" or 3/16" cable in satin stainless steel.

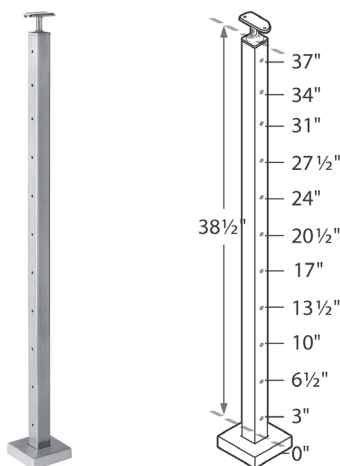


Item #	Description	Position
FLOOR MOUNT ADJUSTABLE TOP SADDLE		
49-C161/42/F/C/ASF	Square Post, 1-1/2" x 0.12" Wall	Center
49-C161/42/F/E/ASF	Square Post, 1-1/2" x 0.12" Wall	End
49-C161/42/F/CS/ASF	Square Post, 1-1/2" x 0.12" Wall	Stair
49-C161/42/F/ES/ASF	Square Post, 1-1/2" x 0.12" Wall	End Stair

Item #	Description	Position
FLOOR MOUNT FIXED TOP SADDLE		
49-C161/42/F/C/SFF	Square Post, 1-1/2" x 0.12" Wall	Center
49-C161/42/F/L/SFF	Square Post, 1-1/2" x 0.12" Wall	Corner
49-C161/42/F/E/SFF	Square Post, 1-1/2" x 0.12" Wall	End

C161/42/F 42" FLOOR POST

Prefabricated square posts for 1/8" or 3/16" cable in satin stainless steel.

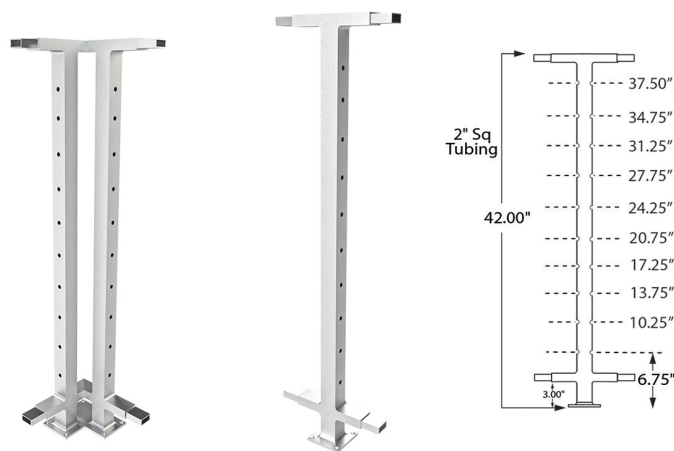


Item #	Description	Position
FLOOR MOUNT ADJUSTABLE TOP SADDLE		
49-C161/42/F/C/AS	Square Post, 1-1/2" x 0.12" Wall	Center
49-C161/42/F/E/AS	Square Post, 1-1/2" x 0.12" Wall	End
49-C161/42/F/CS/AS	Square Post, 1-1/2" x 0.12" Wall	Stair
49-C161/42/F/ES/AS	Square Post, 1-1/2" x 0.12" Wall	End Stair

Item #	Description	Position
FLOOR MOUNT FIXED TOP SADDLE		
49-C161/42/F/C/SF	Square Post, 1-1/2" x 0.12" Wall	Center
49-C161/42/F/E/SF	Square Post, 1-1/2" x 0.12" Wall	End

CS508/42/F 42" FLOOR POST

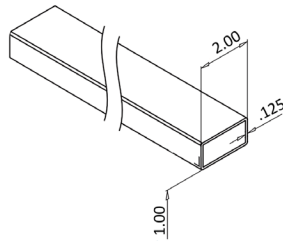
Prefabricated Square posts for 1/8" or 3/16" cable in 6061-T6 aluminum.



Item #	Description	Height	Position
ALUMINUM BRUSHED			
54-CS508/42/F/C	SQUARE POST, 2" X 2", ORBITAL BRUSH	42"	Center
54-CS508/42/F/L	SQUARE POST, 2" X 2", ORBITAL BRUSH	42"	Corner
54-CS508/42/F/E	SQUARE POST, 2" X 2", ORBITAL BRUSH	42"	End

RL5025 RECTANGULAR TUBE

2" x 1" Rectangular tube in 6061-T6 aluminum. Use with CS508 aluminum cable rail posts.



Item #	Description
ALUMINUM BRUSHED	
54-RL5025	2"W X 1"H X 1/8" - 6061 T - ORBITAL BRUSH

CA224-SM SERIES 1/8" CABLE KIT

Includes an Invisiware Receiver and a Pull-Lock fitting.



Item #	Description	Length
SATIN STAINLESS STEEL 316		
CA232-SM/5	1/8" CABLE KIT FOR METAL POSTS	5FT
CA232-SM/10	1/8" CABLE KIT FOR METAL POSTS	10FT
CA232-SM/15	1/8" CABLE KIT FOR METAL POSTS	15FT
CA232-SM/20	1/8" CABLE KIT FOR METAL POSTS	20FT
CA232-SM/25	1/8" CABLE KIT FOR METAL POSTS	25FT
CA224-SM/30	1/8" CABLE KIT FOR WOOD AND METAL POSTS	30FT
CA224-SM/40	1/8" CABLE KIT FOR WOOD AND METAL POSTS	40FT
CA224-SM/50	1/8" CABLE KIT FOR WOOD AND METAL POSTS	50FT
CA224-SM/60	1/8" CABLE KIT FOR WOOD AND METAL POSTS	60FT
CA224-SM/70	1/8" CABLE KIT FOR WOOD AND METAL POSTS	70FT

CA224-MD SERIES 3/16" CABLE KIT

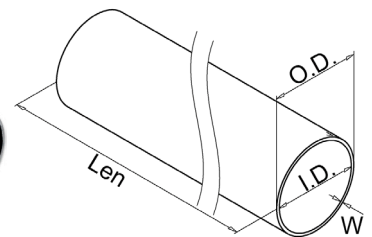
Includes an Invisiware Receiver and a Pull-Lock fitting.



Item #	Description	Length
SATIN STAINLESS STEEL 316		
CA232-MD/5	3/16" Cable Kit for Metal Posts	5FT
CA232-MD/10	3/16" Cable Kit for Metal Posts	10FT
CA232-MD/15	3/16" Cable Kit for Metal Posts	15FT
CA232-MD/20	3/16" Cable Kit for Metal Posts	20FT
CA232-MD/25	3/16" Cable Kit for Metal Posts	25FT
CA224-MD/30	3/16" Cable Kit for Wood and Metal Posts	30FT
CA224-MD/40	3/16" Cable Kit for Wood and Metal Posts	40FT
CA224-MD/50	3/16" Cable Kit for Wood and Metal Posts	50FT
CA224-MD/60	3/16" Cable Kit for Wood and Metal Posts	60FT
CA224-MD/70	3/16" Cable Kit for Wood and Metal Posts	70FT

A114 1.67" OD X 0.08" TUBING

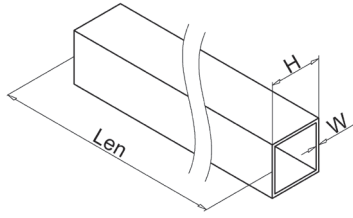
Round tube that fits with our selection of flush fittings. Commonly used to make prefabricated railing posts.



Item #	Description	Tubing Size	O.D.	I.D.	W	LEN
POLISHED STAINLESS STEEL 316						
47-A114	1.67" OD Tubing (42.4mm)	1.67" OD	1.67"	1.51"	0.08"	20 FT
SATIN STAINLESS STEEL 316						
49-A114	1.67" OD Tubing (42.4mm)	1.67" OD	1.67"	1.51"	0.08"	20 FT

SL4900 1.57" X 0.08" SQUARE TUBE

Square tube that fits with our selection of matching fittings.



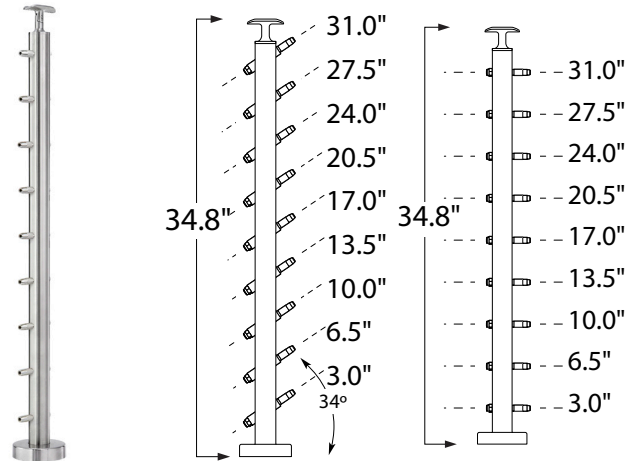
Item #	Description	Tubing Size	H	W	Len
SATIN STAINLESS STEEL 316					
49-4900/4040	1.57" Square Tubing (40mm)	1.57" x 1.57"	1.57"	0.08"	16 FT

C.A.T. CABLE RAILING POSTS

Captive Anchoring and Tensioning Cable Railing Posts work as both anchor and receiver posts. Simply feed cable through the built-in cable guides. Our patent-pending design ensures that the cable travels in a one-way direction and won't pull out. Then simply tension the cable from either end using a socket or box wrench. The built-in cable fitting prevents cable rotation and permits single-handed tensioning.

CS424/36/F 36" FLOOR POST

Prefabricated round posts for 1/8" cable in satin stainless steel with top saddles for 1.67" round tube.



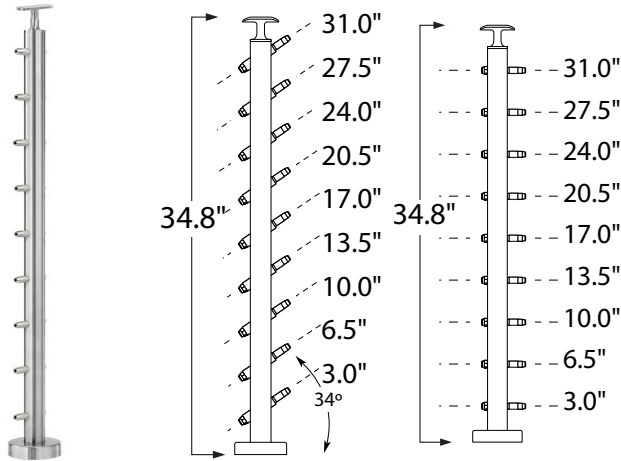
Item #	Description	Position
FLOOR MOUNT ADJUSTABLE TOP SADDLE		
49-CS424/36/F/ESB/AS	1.67" OD (42.4MM) X 0.14" WALL WITH FITTINGS	End Stair Bottom
49-CS424/36/F/EST/AS	1.67" OD (42.4MM) X 0.14" WALL WITH FITTINGS	End Stair Top
49-CS424/36/F/S/AS	1.67" OD (42.4MM) X 0.08" WALL WITH HOLES	Stair
FLOOR MOUNT FIXED TOP SADDLE		
49-CS424/36/F/C/SF	1.67" OD (42.4MM) X 0.08" WALL WITH HOLES	Center
49-CS424/36/F/L/SF	1.67" OD (42.4MM) X 0.14" WALL WITH HOLES	Corner
49-CS424/36/F/E/SF	1.67" OD (42.4MM) X 0.14" WALL WITH FITTINGS	End

CS424/36/F C.A.T. CABLE RAILING SYSTEM



CS424/36/F/F 36" FLOOR POST

Prefabricated round posts for 1/8" cable in satin stainless steel with top saddles for square or rectangular tube.

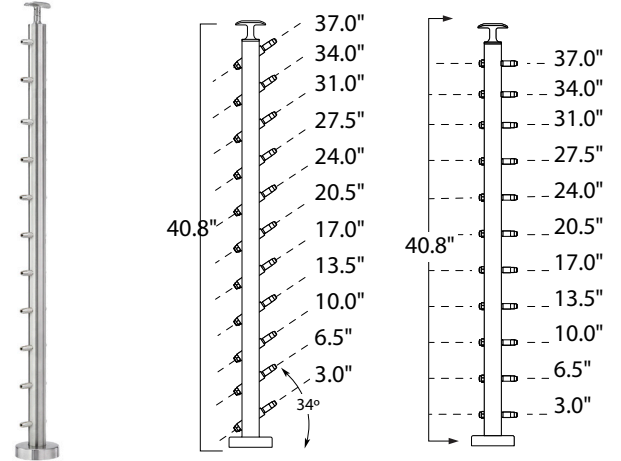


Item #	Description	Position
FLOOR MOUNT ADJUSTABLE TOP SADDLE		
49-CS424/36/F/ESB/ASF	1.67" OD (42.4MM) X 0.14" WALL WITH FITTINGS	End Stair Bottom
49-CS424/36/F/EST/ASF	1.67" OD (42.4MM) X 0.14" WALL WITH FITTINGS	End Stair Top
49-CS424/36/F/S/ASF	1.67" OD (42.4MM) X 0.08" WALL WITH HOLES	Stair

Item #	Description	Position
FLOOR MOUNT FIXED TOP SADDLE		
49-CS424/36/F/C/SFF	1.67" OD (42.4MM) X 0.08" WALL WITH HOLES	Center
49-CS424/36/F/L/SFF	1.67" OD (42.4MM) X 0.14" WALL WITH HOLES	Corner
49-CS424/36/F/E/SFF	1.67" OD (42.4MM) X 0.14" WALL WITH FITTINGS	End

CS424/42/F/F 42" FLOOR POST

Prefabricated round posts for 1/8" cable in satin stainless steel with top saddles for 1.67" round tube.

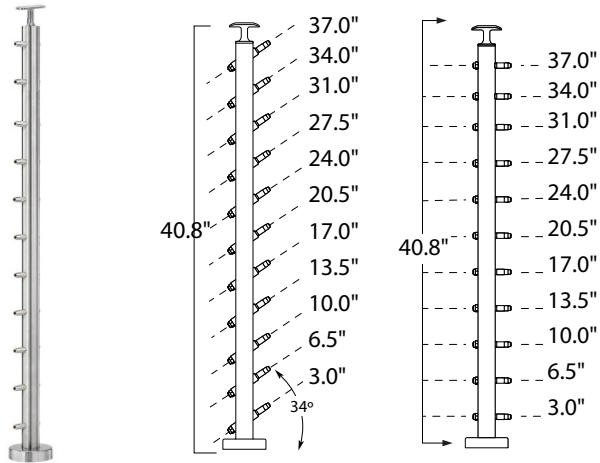


Item #	Description	Position
FLOOR MOUNT ADJUSTABLE TOP SADDLE		
49-CS424/42/F/ESB/AS	1.67" OD (42.4MM) X 0.14" WALL WITH FITTINGS	End Stair Bottom
49-CS424/42/F/EST/AS	1.67" OD (42.4MM) X 0.14" WALL WITH FITTINGS	End Stair Top
49-CS424/42/F/S/AS	1.67" OD (42.4MM) X 0.08" WALL WITH HOLES	Stair

Item #	Description	Position
FLOOR MOUNT FIXED TOP SADDLE		
49-CS424/42/F/C/SF	1.67" OD (42.4MM) X 0.08" WALL WITH HOLES	Center
49-CS424/42/F/L/SF	1.67" OD (42.4MM) X 0.14" WALL WITH HOLES	Corner
49-CS424/42/F/E/SF	1.67" OD (42.4MM) X 0.14" WALL WITH FITTINGS	End

CS424/42/F 42" FLOOR POST

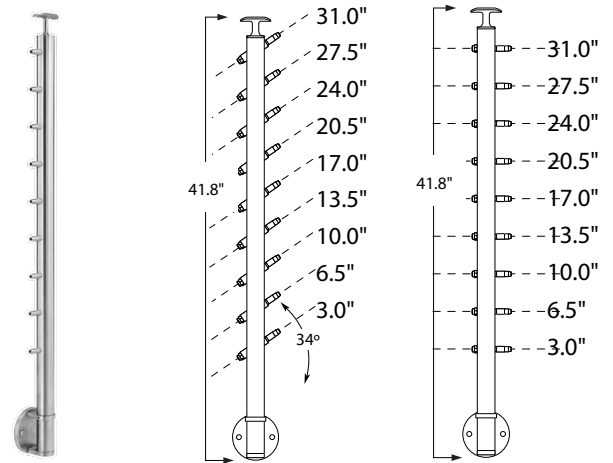
Prefabricated round posts for 1/8" cable in satin stainless steel with top saddles for square or rectangular tube.



Item #	Description	Position
FLOOR MOUNT ADJUSTABLE TOP SADDLE		
49-CS424/42/F/ESB/ASF	1.67" OD (42.4MM) X 0.14" WALL WITH FITTINGS	End Stair Bottom
49-CS424/42/F/EST/ASF	1.67" OD (42.4MM) X 0.14" WALL WITH FITTINGS	End Stair Top
49-CS424/42/F/S/ASF	1.67" OD (42.4MM) X 0.08" WALL WITH HOLES	Stair
FLOOR MOUNT FIXED TOP SADDLE		
49-CS424/42/F/C/SFF	1.67" OD (42.4MM) X 0.08" WALL WITH HOLES	Center
49-CS424/42/F/L/SFF	1.67" OD (42.4MM) X 0.14" WALL WITH HOLES	Corner
49-CS424/42/F/E/SFF	1.67" OD (42.4MM) X 0.14" WALL WITH FITTINGS	End

CS424/36/W 36" FASCIA POST

Prefabricated round posts for 1/8" cable in satin stainless steel with top saddles for 1.67" round tube.



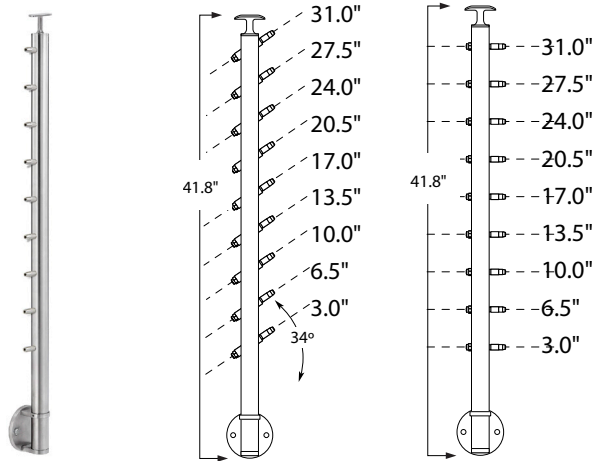
Item #	Description	Position
FASCIA MOUNT ADJUSTABLE TOP SADDLE		
49-CS424/36/W/EST/AS	1.67" OD (42.4MM) X 0.14" WALL WITH FITTINGS	End Stair Top
49-CS424/36/W/ESB/AS	1.67" OD (42.4MM) X 0.14" WALL WITH FITTINGS	End Stair Bottom
49-CS424/36/W/S/AS	1.67" OD (42.4MM) X 0.08" WALL WITH HOLES	Stair
FASCIA MOUNT FIXED TOP SADDLE		
49-CS424/36/W/C/SF	1.67" OD (42.4MM) X 0.08" WALL WITH HOLES	Center
49-CS424/36/W/L/SF	1.67" OD (42.4MM) X 0.08" WALL WITH HOLES	Corner
49-CS424/36/W/E/SF	1.67" OD (42.4MM) X 0.14" WALL WITH FITTINGS	End

CS424/36/F C.A.T. CABLE RAILING SYSTEM



CS424/36/W/F 36" FASCIA POST

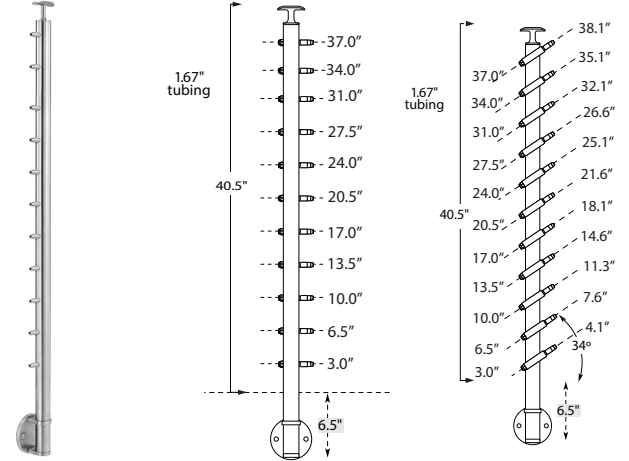
Prefabricated round posts for 1/8" cable in satin stainless steel with top saddles for square or rectangular tube.



Item #	Description	Position
FASCIA MOUNT ADJUSTABLE TOP SADDLE		
49-CS424/36/W/ESB/ASF	1.67" OD (42.4MM) X 0.14" WALL WITH FITTINGS	End Stair Bottom
49-CS424/36/W/EST/ASF	1.67" OD (42.4MM) X 0.14" WALL WITH FITTINGS	End Stair Top
49-CS424/36/W/S/ASF	1.67" OD (42.4MM) X 0.08" WALL WITH HOLES	Stair
FASCIA MOUNT FIXED TOP SADDLE		
49-CS424/36/W/C/SFF	1.67" OD (42.4MM) X 0.08" WALL WITH HOLES	Center
49-CS424/36/W/E/SFF	1.67" OD (42.4MM) X 0.14" WALL WITH FITTINGS	End

CS424/42/W 42" FASCIA POST

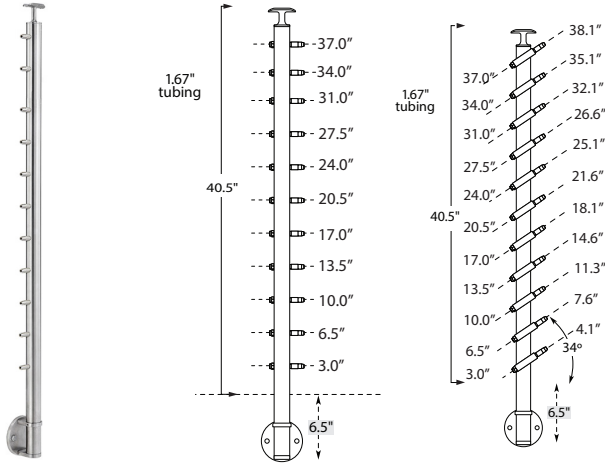
Prefabricated round posts for 1/8" cable in satin stainless steel with top saddles for 1.67" round tube.



Item #	Description	Position
FASCIA MOUNT ADJUSTABLE TOP SADDLE		
49-CS424/42/W/ESB/AS	1.67" OD (42.4MM) X 0.14" WALL WITH FITTINGS	End Stair Bottom
49-CS424/42/W/EST/AS	1.67" OD (42.4MM) X 0.14" WALL WITH FITTINGS	End Stair Top
49-CS424/42/W/S/AS	1.67" OD (42.4MM) X 0.08" WALL WITH HOLES	Stair
FASCIA MOUNT FIXED TOP SADDLE		
49-CS424/42/W/C/SF	1.67" OD (42.4MM) X 0.08" WALL WITH HOLES	Center
49-CS424/42/W/E/SF	1.67" OD (42.4MM) X 0.14" WALL WITH FITTINGS	End

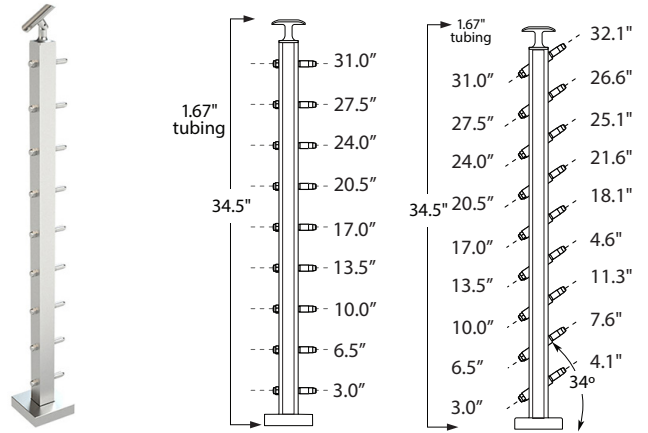
CS424/42/W/F 42" FASCIA POST

Prefabricated round posts for 1/8" cable in satin stainless steel with top saddles for square or rectangular tube.



CS161/36/F 36" FLOOR POST

Prefabricated square posts for 1/8" cable in satin stainless steel with top saddles for 1.67" round tube.



Item #	Description	Position
FASCIA MOUNT ADJUSTABLE TOP SADDLE		
49-CS424/42/W/ESB/ASF	1.67" OD (42.4MM) X 0.14" WALL WITH FITTINGS	End Stair Bottom
49-CS424/42/W/EST/ASF	1.67" OD (42.4MM) X 0.14" WALL WITH FITTINGS	End Stair Top
49-CS424/42/W/S/ASF	1.67" OD (42.4MM) X 0.08" WALL WITH HOLES	Stair
FASCIA MOUNT FIXED TOP SADDLE		
49-CS424/42/W/C/SFF	1.67" OD (42.4MM) X 0.08" WALL WITH HOLES	Center
49-CS424/42/W/E/SFF	1.67" OD (42.4MM) X 0.14" WALL WITH FITTINGS	End

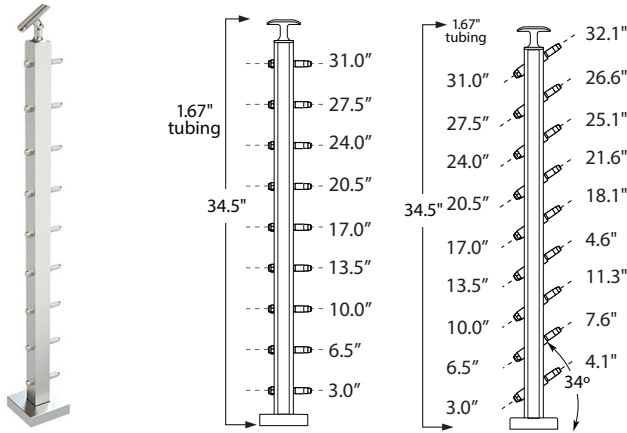
Item #	Description	Position
FLOOR MOUNT ADJUSTABLE TOP SADDLE		
49-CS161/36/F/ESB/AS	1-1/2" X 0.12" WALL WITH FITTINGS	End Stair Bottom
49-CS161/36/F/EST/AS	1-1/2" X 0.12" WALL WITH FITTINGS	End Stair Top
49-CS161/36/F/S/AS	1-1/2" X 0.12" WALL WITH HOLES	Stair
FLOOR MOUNT FIXED TOP SADDLE		
49-CS161/36/F/C/SF	1-1/2" X 0.12" WALL WITH HOLES	Center
49-CS161/36/F/L/SF	1-1/2" X 0.12" WALL WITH HOLES	Corner
49-CS161/36/F/E/SF	1-1/2" X 0.12" WALL WITH FITTINGS	End

CS424/36/F C.A.T. CABLE RAILING SYSTEM



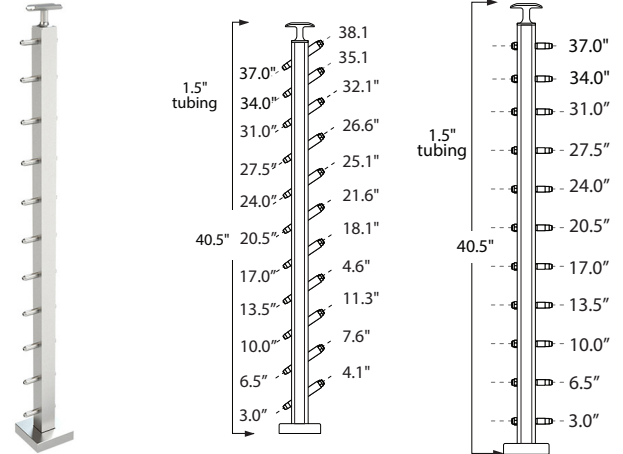
CS161/36/F/F 36" FLOOR POST

Prefabricated square posts for 1/8" cable in satin stainless steel with top saddles for square or rectangular tube.



CS161/42/F 42" FLOOR POST

Prefabricated square posts for 1/8" cable in satin stainless steel with top saddles for 1.67" round tube.

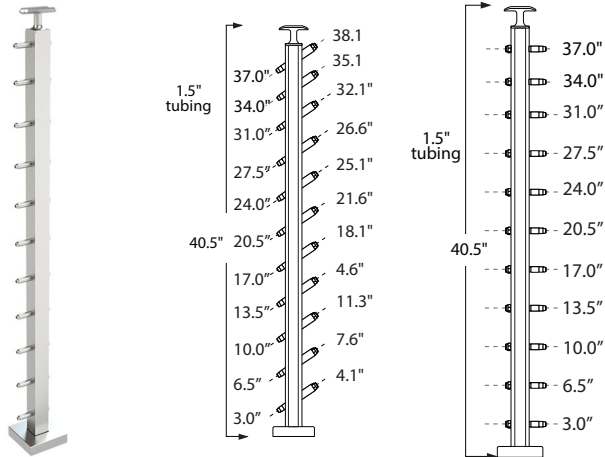


Item #	Description	Position
FLOOR MOUNT ADJUSTABLE TOP SADDLE		
49-CS161/36/F/ESB/ASF	1-1/2" X 0.12" WALL WITH FITTINGS	End Stair Bottom
49-CS161/36/F/EST/ASF	1-1/2" X 0.12" WALL WITH FITTINGS	End Stair Top
49-CS161/36/F/S/ASF	1-1/2" X 0.12" WALL WITH HOLES	Stair
FLOOR MOUNT FIXED TOP SADDLE		
49-CS161/36/F/C/SFF	1-1/2" X 0.12" WALL WITH HOLES	Center
49-CS161/36/F/L/SFF	1-1/2" X 0.12" WALL WITH HOLES	Corner
49-CS161/36/F/E/SFF	1-1/2" X 0.12" WALL WITH FITTINGS	End

Item #	Description	Position
FLOOR MOUNT ADJUSTABLE TOP SADDLE		
49-CS161/42/F/ESB/AS	1-1/2" X 0.12" WALL WITH FITTINGS	End Stair Bottom
49-CS161/42/F/EST/AS	1-1/2" X 0.12" WALL WITH FITTINGS	End Stair Top
49-CS161/42/F/S/AS	1-1/2" X 0.12" WALL WITH HOLES	Stair
FLOOR MOUNT FIXED TOP SADDLE		
49-CS161/42/F/C/SF	1-1/2" X 0.12" WALL WITH HOLES	Center
49-CS161/42/F/L/SF	1-1/2" X 0.12" WALL WITH HOLES	Corner
49-CS161/42/F/E/SF	1-1/2" X 0.12" WALL WITH FITTINGS	End

CS161/42/F/F 42" FLOOR POST

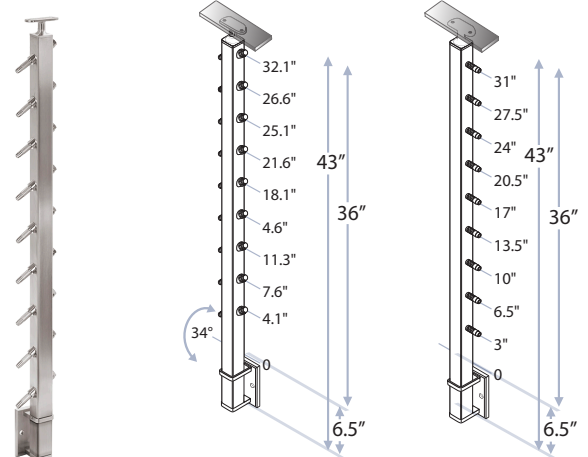
Prefabricated square posts for 1/8" cable in satin stainless steel with top saddles for square or rectangular tube.



Item #	Description	Position
FLOOR MOUNT ADJUSTABLE TOP SADDLE		
49-CS161/42/F/ESB/ASF	1-1/2" X 0.12" WALL WITH FITTINGS	End Stair Bottom
49-CS161/42/F/EST/ASF	1-1/2" X 0.12" WALL WITH FITTINGS	End Stair Top
49-CS161/42/F/S/ASF	1-1/2" X 0.12" WALL WITH HOLES	Stair
FLOOR MOUNT FIXED TOP SADDLE		
49-CS161/42/F/C/SFF	1-1/2" X 0.12" WALL WITH HOLES	Center
49-CS161/42/F/L/SFF	1-1/2" X 0.12" WALL WITH HOLES	Corner
49-CS161/42/F/E/SFF	1-1/2" X 0.12" WALL WITH FITTINGS	End

CS161/36/W/F 36" FASCIA POST

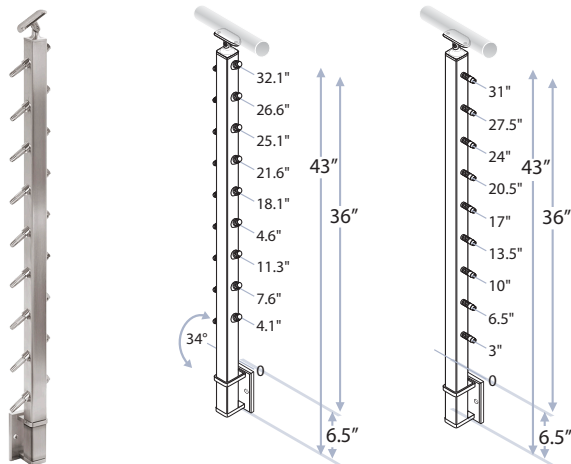
Prefabricated square posts for 1/8" cable in satin stainless steel with top saddles for square or rectangular tube.



Item #	Description	Position
FASCIA MOUNT ADJUSTABLE TOP SADDLE		
49-CS161/36/W/ESB/ASF	1-1/2" X 0.12" WALL WITH FITTINGS	End Stair Bottom
49-CS161/36/W/EST/ASF	1-1/2" X 0.12" WALL WITH FITTINGS	End Stair Top
49-CS161/36/W/S/ASF	1-1/2" X 0.12" WALL WITH HOLES	Stair
FASCIA MOUNT FIXED TOP SADDLE		
49-CS161/36/W/C/SFF	1-1/2" X 0.12" WALL WITH HOLES	Center
49-CS161/36/W/E/SFF	1-1/2" X 0.12" WALL WITH FITTINGS	End

CS161/36/W 36" FASCIA POST

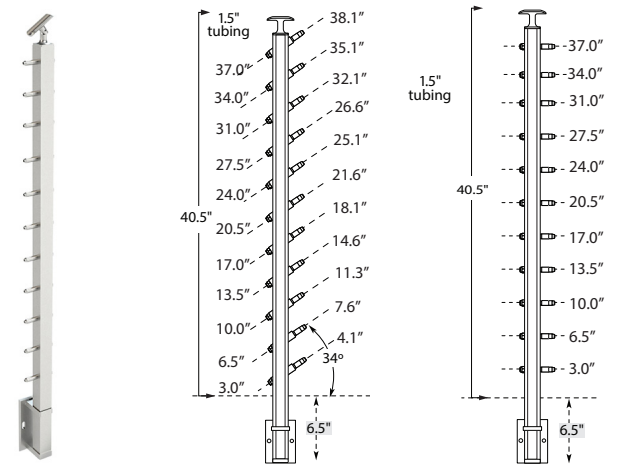
Prefabricated square posts for 1/8" cable in satin stainless steel with top saddles for 1.67" round tube.



Item #	Description	Position
FASCIA MOUNT ADJUSTABLE TOP SADDLE		
49-CS161/36/W/ESB/AS	1-1/2" X 0.12" WALL WITH FITTINGS	End Stair Bottom
49-CS161/36/W/EST/AS	1-1/2" X 0.12" WALL WITH FITTINGS	End Stair Top
49-CS161/36/W/S/AS	1-1/2" X 0.12" WALL WITH HOLES	Stair
FASCIA MOUNT FIXED TOP SADDLE		
49-CS161/36/W/C/SF	1-1/2" X 0.12" WALL WITH HOLES	Center
49-CS161/36/W/E/SF	1-1/2" X 0.12" WALL WITH FITTINGS	End

CS161/42/W 42" FASCIA POST

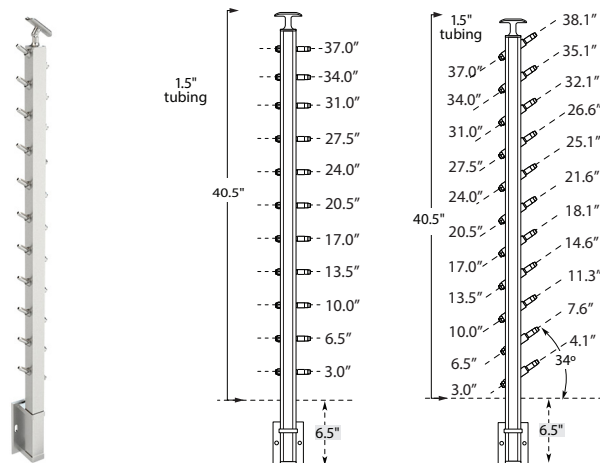
Prefabricated square posts for 1/8" cable in satin stainless steel with top saddles for 1.67" round tube.



Item #	Description	Position
FASCIA MOUNT ADJUSTABLE TOP SADDLE		
49-CS161/42/W/ESB/AS	1-1/2" X 0.12" WALL WITH FITTINGS	End Stair Bottom
49-CS161/42/W/EST/AS	1-1/2" X 0.12" WALL WITH FITTINGS	End Stair Top
49-CS161/42/W/S/AS	1-1/2" X 0.12" WALL WITH HOLES	Stair
FASCIA MOUNT FIXED TOP SADDLE		
49-CS161/42/W/C/SF	1-1/2" X 0.12" WALL WITH HOLES	Center
49-CS161/42/W/E/SF	1-1/2" X 0.12" WALL WITH FITTINGS	End

CS161/42/W/F 42" FASCIA POST

Prefabricated square posts for 1/8" cable in satin stainless steel with top saddles for square or rectangular tube.

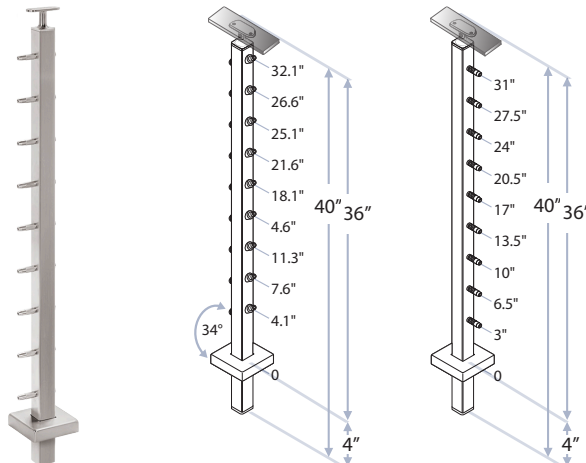


Item #	Description	Position
FASCIA MOUNT ADJUSTABLE TOP SADDLE		
49-CS161/42/W/ESB/ASF	1-1/2" X 0.12" WALL WITH FITTINGS	End Stair Bottom
49-CS161/42/W/EST/ASF	1-1/2" X 0.12" WALL WITH FITTINGS	End Stair Top
49-CS161/42/W/S/ASF	1-1/2" X 0.12" WALL WITH HOLES	Stair

Item #	Description	Position
FASCIA MOUNT FIXED TOP SADDLE		
49-CS161/42/W/C/SFF	1-1/2" X 0.12" WALL WITH HOLES	Center
49-CS161/42/W/E/SFF	1-1/2" X 0.12" WALL WITH FITTINGS	End

CS161/36/CD/F 36" CORE DRILL POST

Prefabricated square posts for 1/8" cable in satin stainless steel with top saddles for square or rectangular tube.

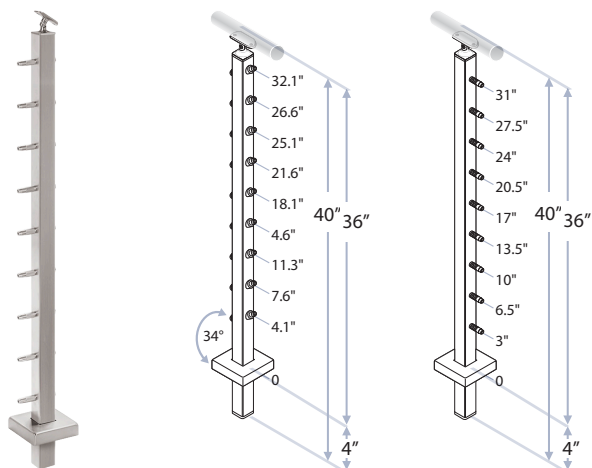


Item #	Description	Position
CORE ADJUSTABLE TOP SADDLE		
49-CS161/36/CD/ESB/ASF	1-1/2" X 0.12" WALL WITH FITTINGS	End Stair Bottom
49-CS161/36/CD/EST/ASF	1-1/2" X 0.12" WALL WITH FITTINGS	End Stair Top
49-CS161/36/CD/S/ASF	1-1/2" X 0.12" WALL WITH HOLES	Stair

Item #	Description	Position
CORE FIXED TOP SADDLE		
49-CS161/36/CD/C/SFF	1-1/2" X 0.12" WALL WITH HOLES	Center
49-CS161/36/CD/L/SFF	1-1/2" X 0.12" WALL WITH HOLES	Corner
49-CS161/36/CD/E/SFF	1-1/2" X 0.12" WALL WITH FITTINGS	End

CS161/36/CD 36" CORE DRILL POST

Prefabricated square posts for 1/8" cable in satin stainless steel with top saddles for 1.67" round tube.

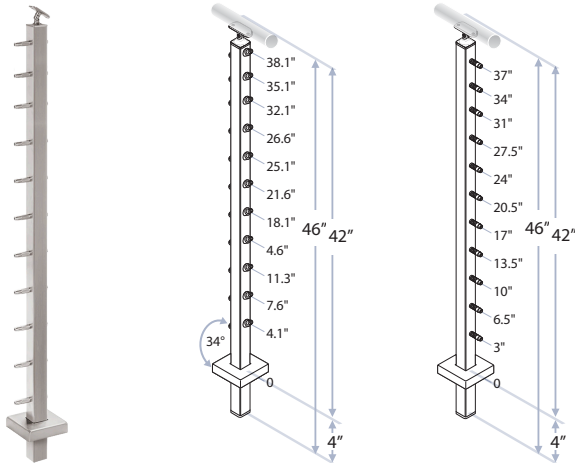


Item #	Description	Position
CORE ADJUSTABLE TOP SADDLE		
49-CS161/36/CD/ESB/AS	1-1/2" X 0.12" WALL WITH FITTINGS	End Stair Bottom
49-CS161/36/CD/EST/AS	1-1/2" X 0.12" WALL WITH FITTINGS	End Stair Top
49-CS161/36/CD/S/AS	1-1/2" X 0.12" WALL WITH HOLES	Stair

Item #	Description	Position
CORE FIXED TOP SADDLE		
49-CS161/36/CD/C/SF	1-1/2" X 0.12" WALL WITH HOLES	Center
49-CS161/36/CD/L/SF	1-1/2" X 0.12" WALL WITH HOLES	Corner
49-CS161/36/CD/E/SF	1-1/2" X 0.12" WALL WITH FITTINGS	End

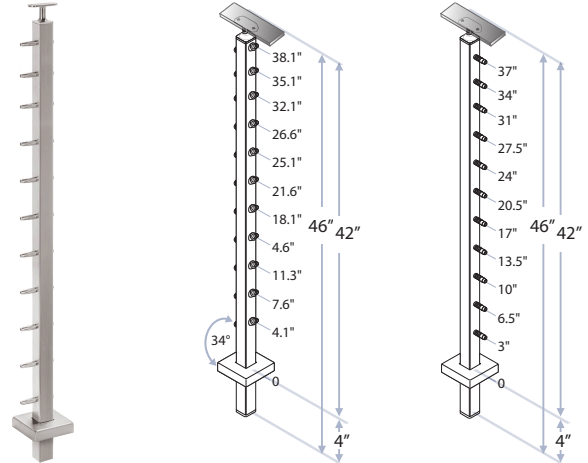
CS161/42/CD 42" CORE DRILL POST

Prefabricated square posts for 1/8" cable in satin stainless steel with top saddles for 1.67" round tube.



CS161/42/CD/F 42" CORE DRILL POST

Prefabricated square posts for 1/8" cable in satin stainless steel with top saddles for square or rectangular tube.

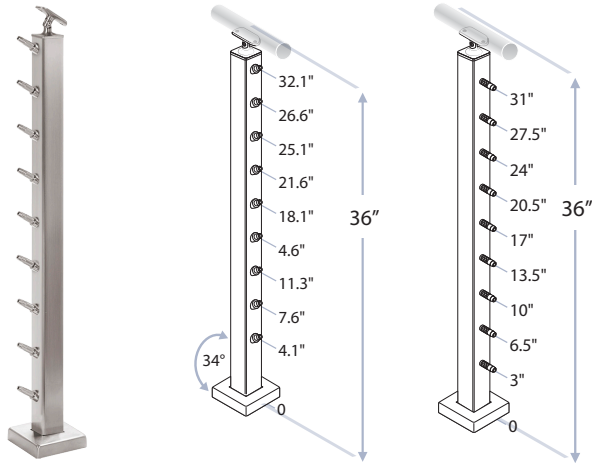


Item #	Description	Position
CORE FIXED TOP SADDLE		
49-CS161/42/CD/C/SF	1-1/2" X 0.12" WALL WITH HOLES	Center
49-CS161/42/CD/L/SF	1-1/2" X 0.12" WALL WITH HOLES	Corner
49-CS161/42/CD/E/SF	1-1/2" X 0.12" WALL WITH FITTINGS	End
CORE ADJUSTABLE TOP SADDLE		
49-CS161/42/CD/ESB/AS	1-1/2" X 0.12" WALL WITH FITTINGS	End Stair Bottom
49-CS161/42/CD/EST/AS	1-1/2" X 0.12" WALL WITH FITTINGS	End Stair Top
49-CS161/42/CD/S/AS	1-1/2" X 0.12" WALL WITH HOLES	Stair

Item #	Description	Position
CORE ADJUSTABLE TOP SADDLE		
49-CS161/42/CD/ESB/ASF	1-1/2" X 0.12" WALL WITH FITTINGS	End Stair Bottom
49-CS161/42/CD/EST/ASF	1-1/2" X 0.12" WALL WITH FITTINGS	End Stair Top
49-CS161/42/CD/S/ASF	1-1/2" X 0.12" WALL WITH HOLES	Stair
CORE FIXED TOP SADDLE		
49-CS161/42/CD/C/SFF	1-1/2" X 0.12" WALL WITH HOLES	Center
49-CS161/42/CD/L/SFF	1-1/2" X 0.12" WALL WITH HOLES	Corner
49-CS161/42/CD/E/SFF	1-1/2" X 0.12" WALL WITH FITTINGS	End

CS162/36/F 36" FLOOR POST

Prefabricated square posts for 1/8" cable in satin stainless steel with top saddles for 1.67" round tube.



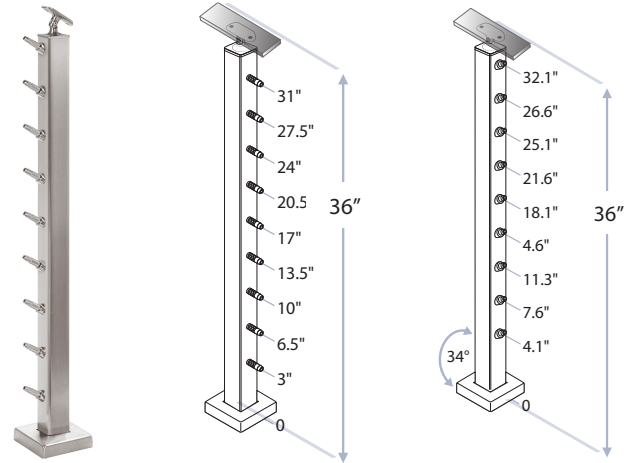
Item # Description Position

FLOOR MOUNT ADJUSTABLE TOP SADDLE		
49-CS162/36/F/ESB/AS	2" X 0.12" WALL WITH FITTINGS	End Stair Bottom
49-CS162/36/F/EST/AS	2" X 0.12" WALL WITH FITTINGS	End Stair Top
49-CS162/36/F/S/AS	2" X 0.12" WALL WITH HOLES	Stair

FLOOR MOUNT FIXED TOP SADDLE		
49-CS162/36/F/C/SF	2" X 0.12" WALL WITH HOLES	Center
49-CS162/36/F/L/SF	2" X 0.12" WALL WITH HOLES	Corner
49-CS162/36/F/E/SF	2" X 0.12" WALL WITH FITTINGS	End

CS162/36/F/F 36" FLOOR POST

Prefabricated square posts for 1/8" cable in satin stainless steel with top saddles for square or rectangular tube.



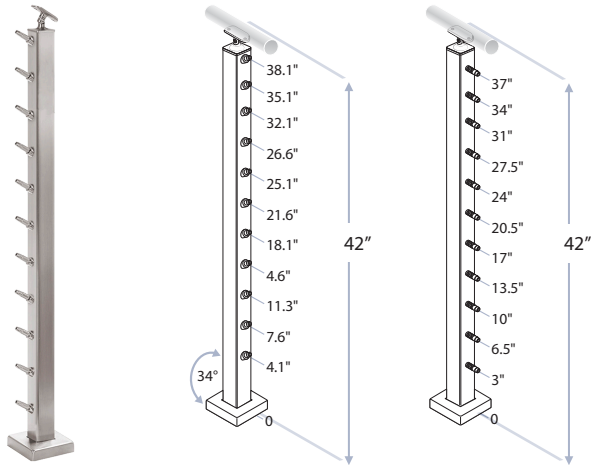
Item # Description Position

FLOOR MOUNT ADJUSTABLE TOP SADDLE		
49-CS162/36/F/ESB/ASF	2" X 0.12" WALL WITH FITTINGS	End Stair Bottom
49-CS162/36/F/EST/ASF	2" X 0.12" WALL WITH FITTINGS	End Stair Top
49-CS162/36/F/S/ASF	2" X 0.12" WALL WITH HOLES	Stair

FLOOR MOUNT FIXED TOP SADDLE		
49-CS162/36/F/C/SFF	2" X 0.12" WALL WITH HOLES	Center
49-CS162/36/F/L/SFF	2" X 0.12" WALL WITH HOLES	Corner
49-CS162/36/F/E/SFF	2" X 0.12" WALL WITH FITTINGS	End

CS162/42/F 42" FLOOR POST

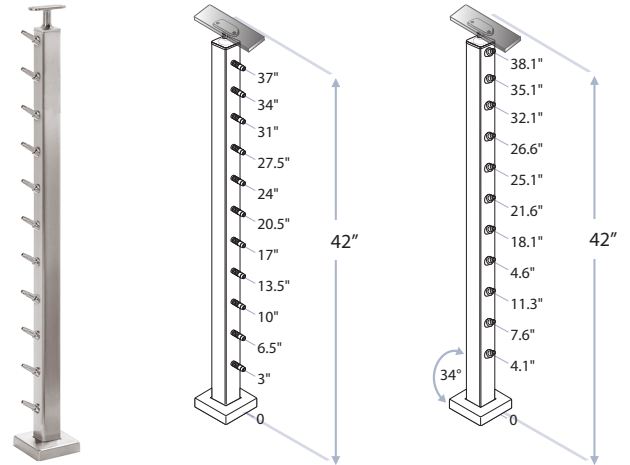
Prefabricated square posts for 1/8" cable in satin stainless steel with top saddles for 1.67" round tube.



Item #	Description	Position
FLOOR MOUNT ADJUSTABLE TOP SADDLE		
49-CS162/42/F/ESB/AS	2" X 0.12" WALL WITH FITTINGS	End Stair Bottom
49-CS162/42/F/EST/AS	2" X 0.12" WALL WITH FITTINGS	End Stair Top
49-CS162/42/F/S/AS	2" X 0.12" WALL WITH HOLES	Stair
FLOOR MOUNT FIXED TOP SADDLE		
49-CS162/42/F/C/SF	2" X 0.12" WALL WITH HOLES	Center
49-CS162/42/F/L/SF	2" X 0.12" WALL WITH HOLES	Corner
49-CS162/42/F/E/SF	2" X 0.12" WALL WITH FITTINGS	End

CS162/42/F/F 42" FLOOR POST

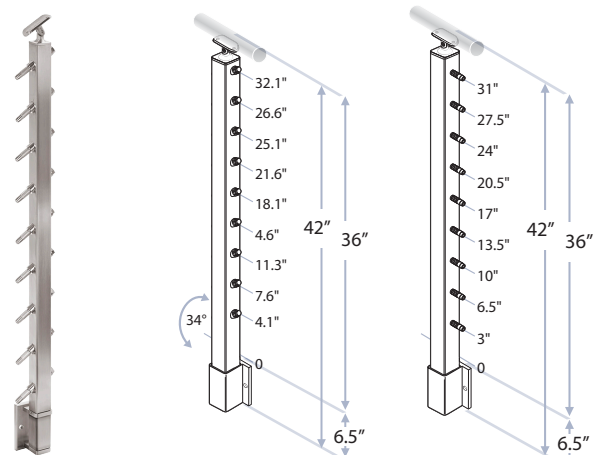
Prefabricated square posts for 1/8" cable in satin stainless steel with top saddles for square or rectangular tube.



Item #	Description	Position
FLOOR MOUNT ADJUSTABLE TOP SADDLE		
49-CS162/42/F/ESB/ASF	2" X 0.12" WALL WITH FITTINGS	End Stair Bottom
49-CS162/42/F/EST/ASF	2" X 0.12" WALL WITH FITTINGS	End Stair Top
49-CS162/42/F/S/ASF	2" X 0.12" WALL WITH HOLES	Stair
FLOOR MOUNT FIXED TOP SADDLE		
49-CS162/42/F/C/SFF	2" X 0.12" WALL WITH HOLES	Center
49-CS162/42/F/L/SFF	2" X 0.12" WALL WITH HOLES	Corner
49-CS162/42/F/E/SFF	2" X 0.12" WALL WITH FITTINGS	End

CS162/36/W 36" FASCIA POST

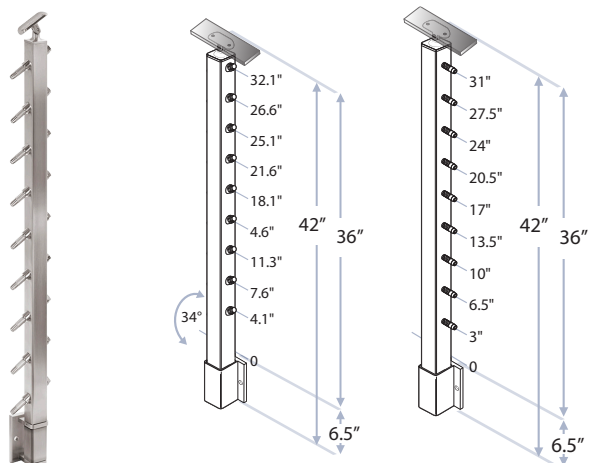
Prefabricated square posts for 1/8" cable in satin stainless steel with top saddles for 1.67" round tube.



Item #	Description	Position
FASCIA MOUNT ADJUSTABLE TOP SADDLE		
49-CS162/36/W/EST/AS	2" X 0.12" WALL WITH FITTINGS	End Stair Top
49-CS162/36/W/ESB/AS	2" X 0.12" WALL WITH FITTINGS	End Stair Bottom
49-CS162/36/W/S/AS	2" X 0.12" WALL WITH HOLES	Stair
FASCIA MOUNT FIXED TOP SADDLE		
49-CS162/36/W/C/SF	2" X 0.12" WALL WITH HOLES	Center
49-CS162/36/W/E/SF	2" X 0.12" WALL WITH FITTINGS	End

CS162/36/W/F 36" FASCIA POST

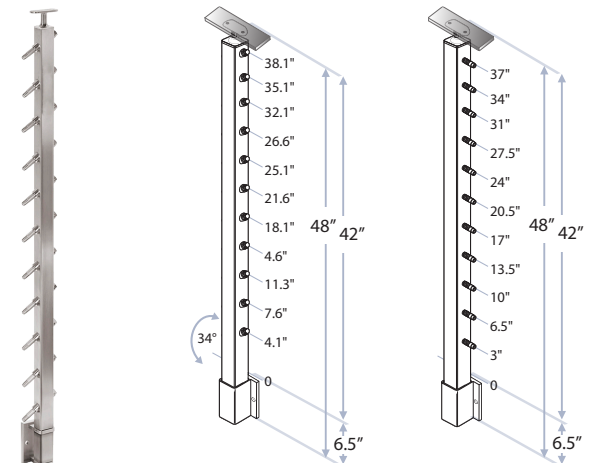
Prefabricated square posts for 1/8" cable in satin stainless steel with top saddles for square or rectangular tube.



Item #	Description	Position
FASCIA MOUNT ADJUSTABLE TOP SADDLE		
49-CS162/36/W/ESB/ASF	2" X 0.12" WALL WITH FITTINGS	End Stair Bottom
49-CS162/36/W/EST/ASF	2" X 0.12" WALL WITH FITTINGS	End Stair Top
49-CS162/36/W/S/ASF	2" X 0.12" WALL WITH HOLES	Stair
FASCIA MOUNT FIXED TOP SADDLE		
49-CS162/36/W/C/SFF	2" X 0.12" WALL WITH HOLES	Center
49-CS162/36/W/E/SFF	2" X 0.12" WALL WITH FITTINGS	End

CS162/42/W/F 42" FASCIA POST

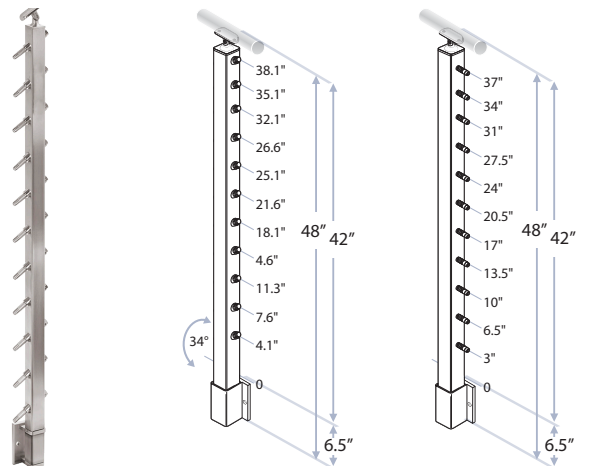
Prefabricated square posts for 1/8" cable in satin stainless steel with top saddles for square or rectangular tube.



Item #	Description	Position
FASCIA MOUNT ADJUSTABLE TOP SADDLE		
49-CS162/42/W/ESB/ASF	2" X 0.12" WALL WITH FITTINGS	End Stair Bottom
49-CS162/42/W/EST/ASF	2" X 0.12" WALL WITH FITTINGS	End Stair Top
49-CS162/42/W/S/ASF	2" X 0.12" WALL WITH HOLES	Stair
FASCIA MOUNT FIXED TOP SADDLE		
49-CS162/42/W/C/SFF	2" X 0.12" WALL WITH HOLES	Center
49-CS162/42/W/E/SFF	2" X 0.12" WALL WITH FITTINGS	End

CS162/42/W 42" FASCIA POST

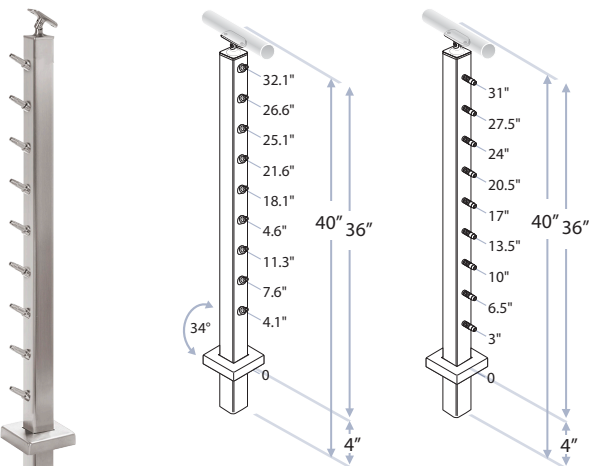
Prefabricated square posts for 1/8" cable in satin stainless steel with top saddles for 1.67" round tube.



Item #	Description	Position
FASCIA MOUNT ADJUSTABLE TOP SADDLE		
49-CS162/42/W/ESB/AS	2" X 0.12" WALL WITH FITTINGS	End Stair Bottom
49-CS162/42/W/EST/AS	2" X 0.12" WALL WITH FITTINGS	End Stair Top
49-CS162/42/W/S/AS	2" X 0.12" WALL WITH HOLES	Stair
FASCIA MOUNT FIXED TOP SADDLE		
49-CS162/42/W/C/SF	2" X 0.12" WALL WITH HOLES	Center
49-CS162/42/W/E/SF	2" X 0.12" WALL WITH FITTINGS	End

CS162/36/CD 36" CORE DRILL POST

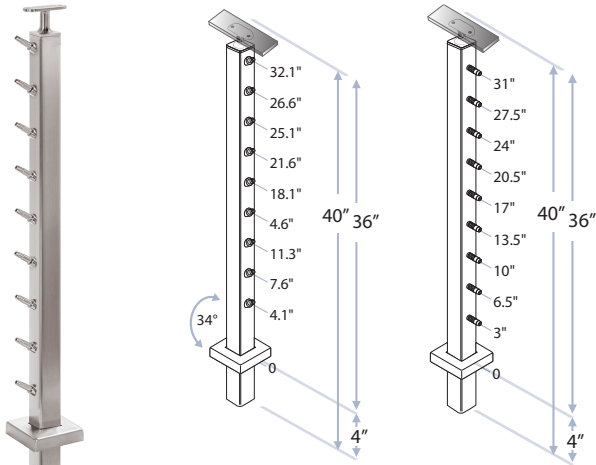
Prefabricated square posts for 1/8" cable in satin stainless steel with top saddles for 1.67" round tube.



Item #	Description	Position
CORE ADJUSTABLE TOP SADDLE		
49-CS162/36/CD/ESB/AS	2" X 0.12" WALL WITH FITTINGS	End Stair Bottom
49-CS162/36/CD/EST/AS	2" X 0.12" WALL WITH FITTINGS	End Stair Top
49-CS162/36/CD/S/AS	2" X 0.12" WALL WITH HOLES	Stair
CORE FIXED TOP SADDLE		
49-CS162/36/CD/C/SF	2" X 0.12" WALL WITH HOLES	Center
49-CS162/36/CD/L/SF	2" X 0.12" WALL WITH HOLES	Corner
49-CS162/36/CD/E/SF	2" X 0.12" WALL WITH FITTINGS	End

CS162/36/CD/F 36" CORE DRILL POST

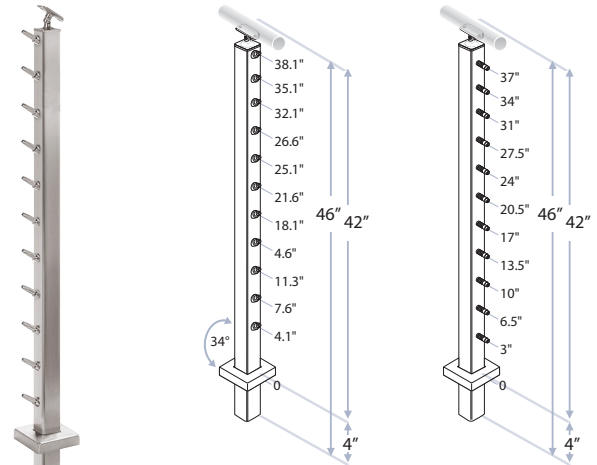
Prefabricated square posts for 1/8" cable in satin stainless steel with top saddles for square or rectangular tube.



Item #	Description	Position
CORE ADJUSTABLE TOP SADDLE		
49-CS162/36/CD/ESB/ASF	2" X 0.12" WALL WITH FITTINGS	End Stair Bottom
49-CS162/36/CD/EST/ASF	2" X 0.12" WALL WITH FITTINGS	End Stair Top
49-CS162/36/CD/S/ASF	2" X 0.12" WALL WITH HOLES	Stair
CORE FIXED TOP SADDLE		
49-CS162/36/CD/C/SFF	2" X 0.12" WALL WITH HOLES	Center
49-CS162/36/CD/L/SFF	2" X 0.12" WALL WITH HOLES	Corner
49-CS162/36/CD/E/SFF	2" X 0.12" WALL WITH FITTINGS	End

CS162/42/CD 42" CORE DRILL POST

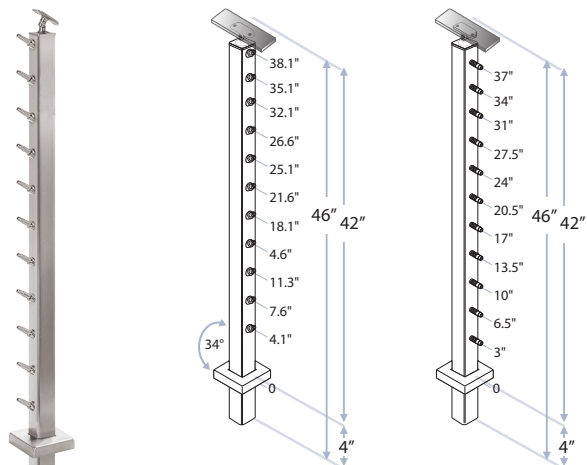
Prefabricated square posts for 1/8" cable in satin stainless steel with top saddles for 1.67" round tube.



Item #	Description	Position
CORE ADJUSTABLE TOP SADDLE		
49-CS162/42/CD/ESB/AS	2" X 0.12" WALL WITH FITTINGS	End Stair Bottom
49-CS162/42/CD/EST/AS	2" X 0.12" WALL WITH FITTINGS	End Stair Top
49-CS162/42/CD/S/AS	2" X 0.12" WALL WITH HOLES	Stair
CORE FIXED TOP SADDLE		
49-CS162/42/CD/C/SF	2" X 0.12" WALL WITH HOLES	Center
49-CS162/42/CD/L/SF	2" X 0.12" WALL WITH HOLES	Corner
49-CS162/42/CD/E/SF	2" X 0.12" WALL WITH FITTINGS	End

CS162/42/CD/F 42" CORE DRILL POST

Prefabricated square posts for 1/8" cable in satin stainless steel with top saddles for square or rectangular tube.



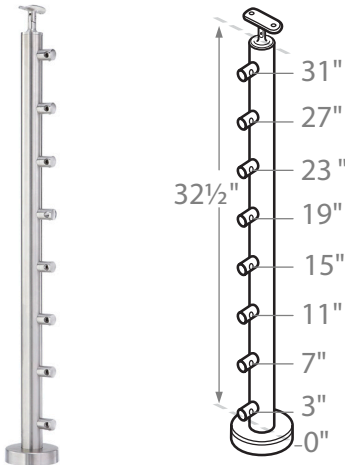
Item #	Description	Position
CORE ADJUSTABLE TOP SADDLE		
49-CS162/42/CD/ESB/ASF	2" X 0.12" WALL WITH FITTINGS	End Stair Bottom
49-CS162/42/CD/EST/ASF	2" X 0.12" WALL WITH FITTINGS	End Stair Top
49-CS162/42/CD/S/ASF	2" X 0.12" WALL WITH HOLES	Stair
CORE FIXED TOP SADDLE		
49-CS162/42/CD/C/SFF	2" X 0.12" WALL WITH HOLES	Center
49-CS162/42/CD/L/SFF	2" X 0.12" WALL WITH HOLES	Corner
49-CS162/42/CD/E/SFF	2" X 0.12" WALL WITH FITTINGS	End

CROSSBAR RAILING POSTS

The perfect railing system is sometimes the one that uses structural elements and simple, clean design to produce not only modern, visually stunning looks, but to accent the robustness and endurance of the system. In that sense, the crossbar railing system may be the perfect choice for your project. And acquiring it is just a step away – with our top-of-the-line prefabricated crossbar stainless steel railing posts. These modular posts need no welding – just slide the crossbars into the holders and tighten – the simplest installation yet!

49-B424/36/F/MD 36" FLOOR MNT

Prefabricated round post for 0.47" OD rod in satin stainless steel. Adjustable crossbar holders allow a post to serve as an end post, center post, stair end post and stair center post.



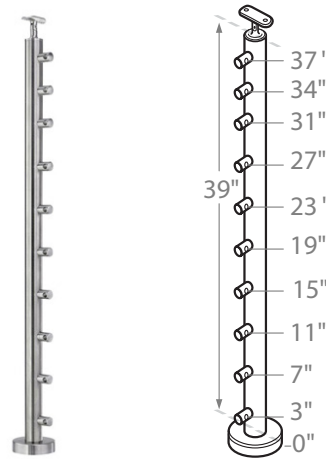
Item # Description

ADJUSTABLE TOP SADDLE

49-B424/36/F/MD/AS Round Post, 1.67" OD (42.4mm) x 0.08" Wall

49-B424/42/F/MD 42" FLOOR MNT

Prefabricated round post for 0.47" OD rod in satin stainless steel. Adjustable crossbar holders allow a post to serve as an end post, center post, stair end post and stair center post.



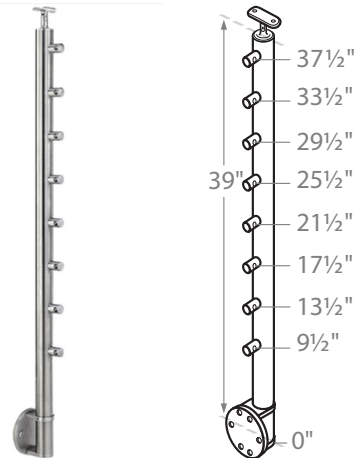
Item # Description

FLOOR MOUNT ADJUSTABLE TOP SADDLE

49-B424/42/F/MD/AS Round Post, 1.67" OD (42.4mm) x 0.08" Wall

49-B424/36/W/MD 36" FASCIA MNT

Prefabricated round post for 0.47" OD rod in satin stainless steel. Adjustable crossbar holders allow a post to serve as an end post, center post, stair end post and stair center post.



Item # Description

FASCIA MOUNT ADJUSTABLE TOP SADDLE

49-B424/36/W/MD/AS Round Post, 1.67" OD (42.4mm) x 0.08" Wall

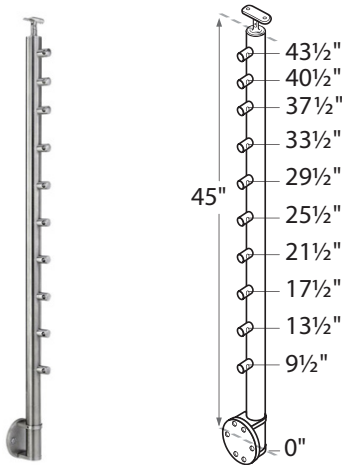


B424/36/F/MD CROSSBAR RAILING SYSTEM



49-B424/42/W/MD 42" FASCIA MNT

Prefabricated round post for 0.47" OD rod in satin stainless steel. Adjustable crossbar holders allow a post to serve as an end post, center post, stair end post and stair center post.



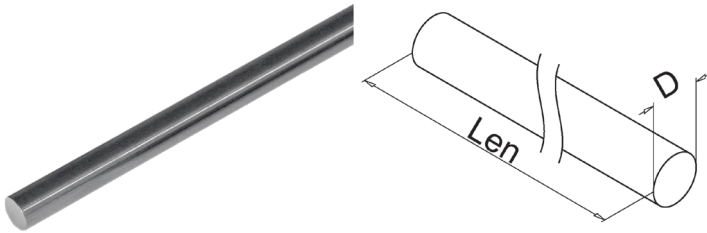
Item # Description

FASCIA MOUNT ADJUSTABLE TOP SADDLE

49-B424/42/W/MD/AS Round Post, 1.67" OD (42.4mm) x 0.08" Wall

R038 0.47" OD SOLID ROD

Solid rod that fits with our selection of fittings including RH101 Standoff Crossbar Holder.



Item # Description Tubing Size D Len

SATIN STAINLESS STEEL 316

49-R038 0.47" OD (12mm) Solid Rod 0.47" OD 0.47" 16 FT

RH101 CROSSBAR HOLDER

Mount this style of crossbar holder as a standoff - on 1-2/3" OD tubing - and in the same direction of the handrail on a prefabricated post. The holder can be adjusted so that the rod can match any stair angle.



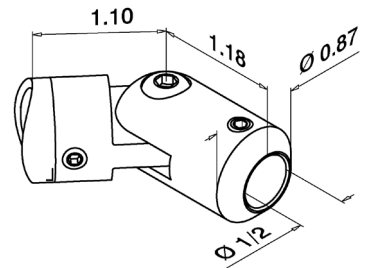
Item # Description Position Tubing Size

SATIN STAINLESS STEEL 316

49-RH101/424	For 0.47" OD (12mm) Rod	Center	1-2/3" OD
49-RH102L/424	For 0.47" OD (12mm) Rod	Left	1-2/3" OD
49-RH102R/424	For 0.47" OD (12mm) Rod	Right	1-2/3" OD

0855 ADJ CROSSBAR HOLDER

Mount this style of crossbar holder along the center line of a post (following the direction of the handrail). This bracket can be adjusted to obtain an number of rod angles.



Item # Description Tubing Size

SATIN STAINLESS STEEL 304

44-0855/1H For 0.47" OD (12mm) Rod 1-1/2" OD

RH104 CROSSBAR HOLDER

Mount this style of crossbar holder as a standoff - on flat-surfaced tubing - and in the same direction of the handrail on a prefabricated post. The holder can be adjusted so that the rod can match any stair angle.



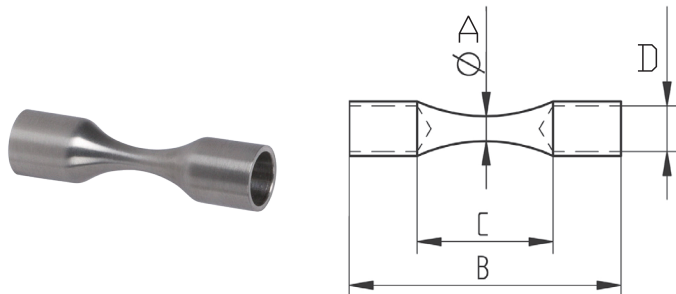
Item # Description Position

SATIN STAINLESS STEEL 316

49-RH104/F For 0.47" OD (12mm) Rod Center

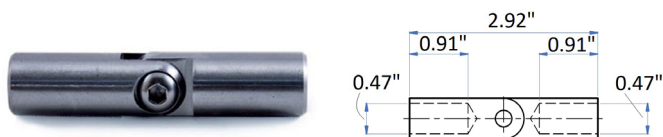
RC103 EXTERNAL CROSSBAR SPLICE

Use to connect the ends of two separate round rods item R038.



Item #	Description	Tubing Size	A	B	C	D
SATIN STAINLESS STEEL 316						
49-RC103	For 0.47" OD Rod (12mm)	0.47" OD	.21"	2.34"	1.18"	.47"

RC105 EXTERNAL CROSSBAR ADJUSTABLE CONNECTOR



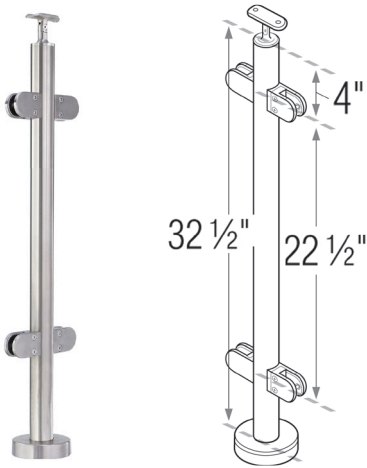
Item #	Description	Tubing Size
SATIN STAINLESS STEEL 316		
49-RC105	For 0.47" OD (12mm) Rod	0.47" OD

GLASS RAILING POSTS

Whether you're in the market for an interior glass railing system - or glass railing posts for decks - our stainless steel posts provide real peace of mind. Not only does a glass handrail let the splendor of your surroundings shine through, but you'll also enjoy the view that much more knowing our glass railing posts are both attractive and durable. All stainless steel is sturdy and extremely rust-resistant, but some grades of steel perform better than others. With its unique mix of chromium, nickel, and molybdenum, our 316 grade stainless steel will resist the elements with virtually zero maintenance.

G424/36/F/LG 36" FLOOR POST

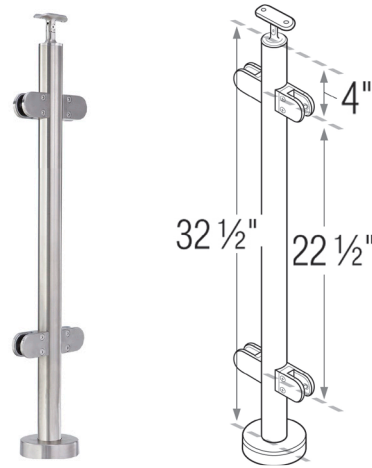
Prefabricated round posts for 1/2" thick glass in satin stainless steel.



Item #	Description	Position
FLOOR MOUNT ADJUSTABLE TOP SADDLE		
49-G424/36/F/LG/C/AS	Round Post, 1.67" OD (42.4mm) x 0.08" Wall	Center
49-G424/36/F/LG/E/AS	Round Post, 1.67" OD (42.4mm) x 0.08" Wall	End
FLOOR MOUNT FIXED TOP SADDLE		
49-G424/36/F/LG/L/SF	Round Post, 1.67" OD (42.4mm) x 0.08" Wall	Corner

G424/36/F/MD 36" FLOOR POST

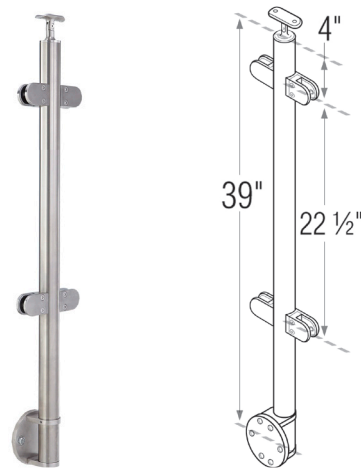
Prefabricated round posts for 3/8" thick glass in satin stainless steel.



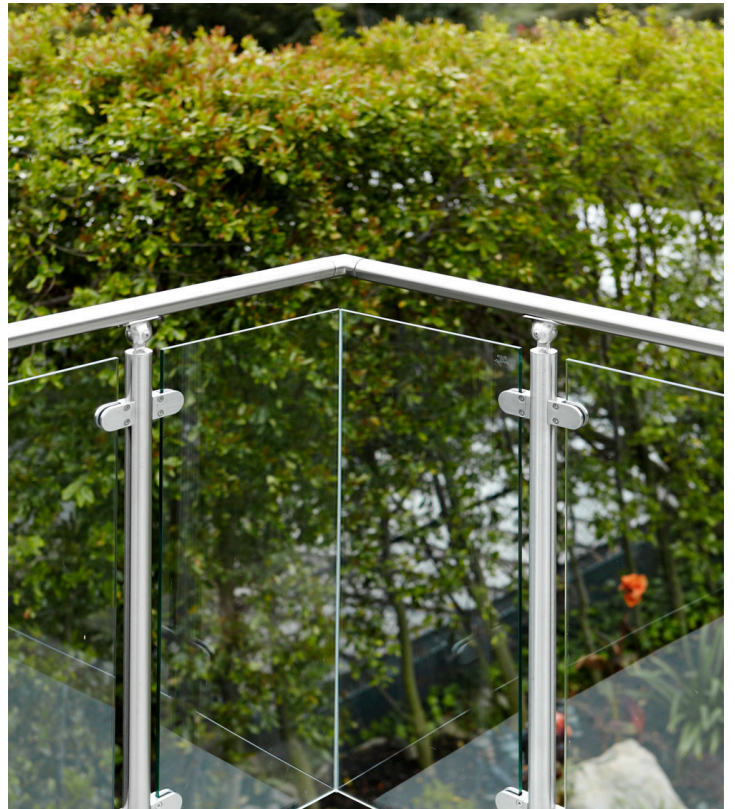
Item #	Description	Position
FLOOR MOUNT ADJUSTABLE TOP SADDLE		
49-G424/36/F/MD/C/AS	Round Post, 1.67" OD (42.4mm) x 0.08" Wall	Center
49-G424/36/F/MD/E/AS	Round Post, 1.67" OD (42.4mm) x 0.08" Wall	End
FLOOR MOUNT FIXED TOP SADDLE		
49-G424/36/F/MD/L/SF	Round Post, 1.67" OD (42.4mm) x 0.08" Wall	Corner

G424/36/W/LG 36" FASCIA POST

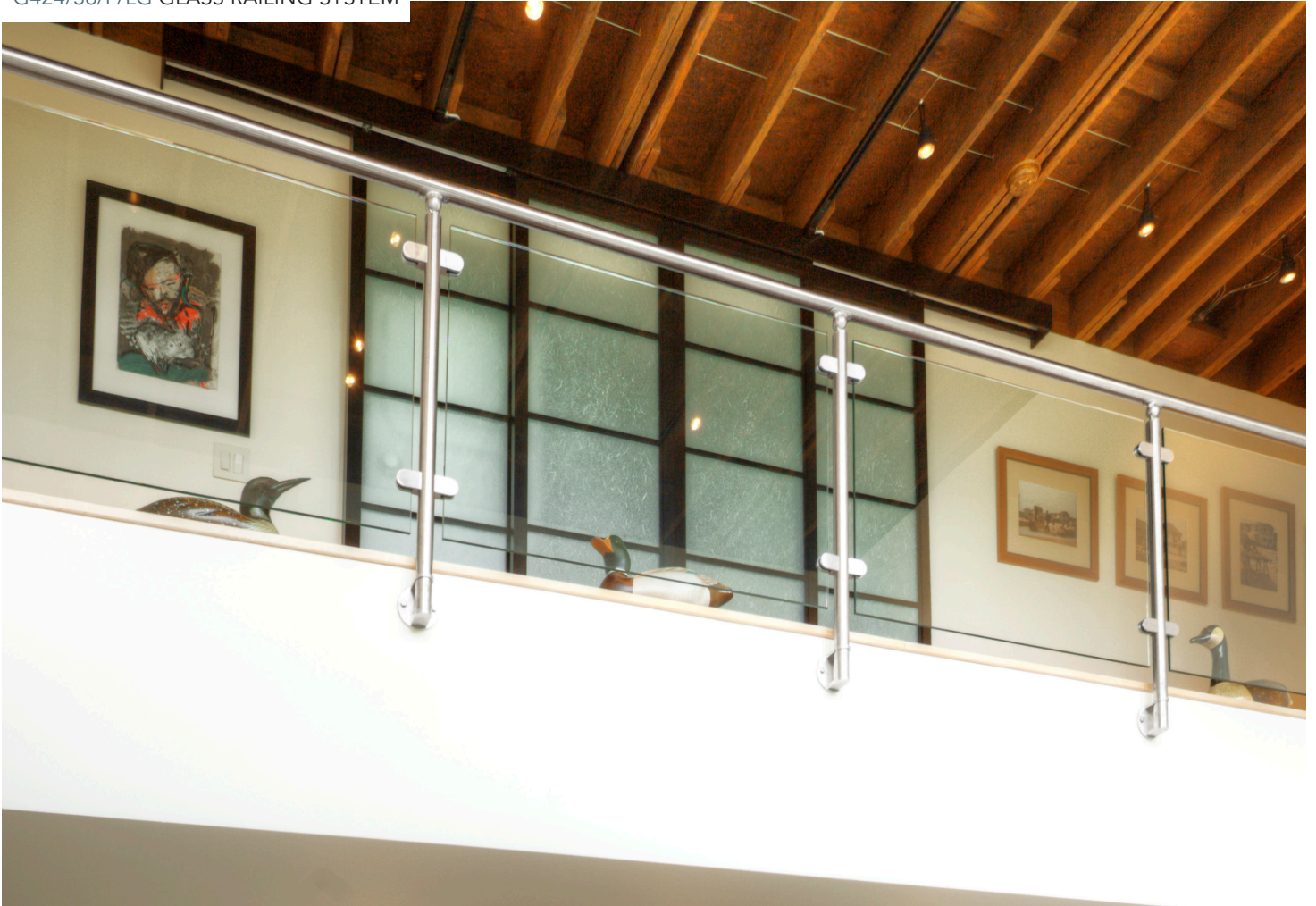
Prefabricated round posts for 1/2" thick glass in satin stainless steel.



Item #	Description	Position
FASCIA MOUNT ADJUSTABLE TOP SADDLE		
49-G424/36/W/LG/C/AS	Round Post, 1.67" OD (42.4mm) x 0.08" Wall	Center
49-G424/36/W/LG/E/AS	Round Post, 1.67" OD (42.4mm) x 0.08" Wall	End

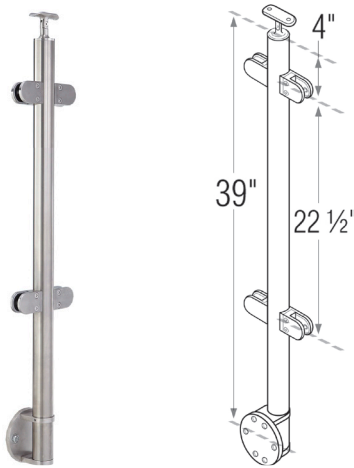


G424/36/F/LG GLASS RAILING SYSTEM



G424/36/W/MD 36" FASCIA POST

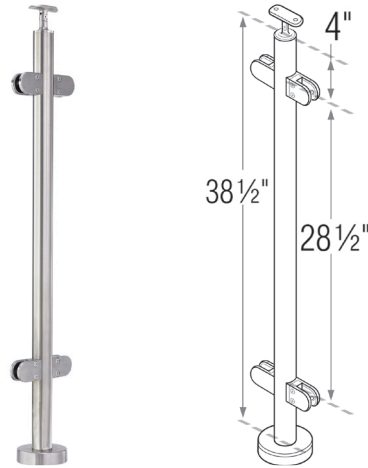
Prefabricated round posts for 3/8" thick glass in satin stainless steel.



Item #	Description	Position
FASCIA MOUNT ADJUSTABLE TOP SADDLE		
49-G424/36/W/MD/C/AS	Round Post, 1.67" OD (42.4mm) x 0.08" Wall	Center
49-G424/36/W/MD/E/AS	Round Post, 1.67" OD (42.4mm) x 0.08" Wall	End

G424/42/F/MD 42" FLOOR POST

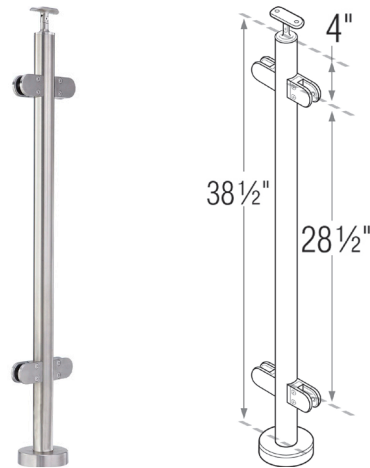
Prefabricated round posts for 3/8" thick glass in satin stainless steel.



Item #	Description	Position
FLOOR MOUNT ADJUSTABLE TOP SADDLE		
49-G424/42/F/MD/C/AS	Round Post, 1.67" OD (42.4mm) x 0.08" Wall	Center
49-G424/42/F/MD/E/AS	Round Post, 1.67" OD (42.4mm) x 0.08" Wall	End
FLOOR MOUNT FIXED TOP SADDLE		
49-G424/42/F/MD/L/SF	Round Post, 1.67" OD (42.4mm) x 0.08" Wall	Corner

G424/42/F/LG 42" FLOOR POST

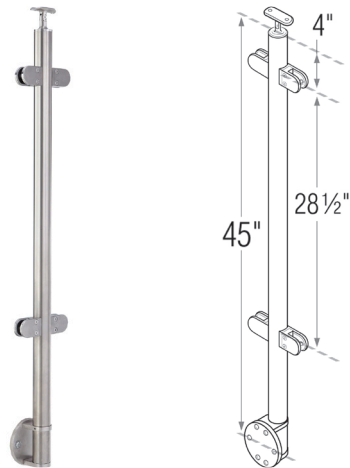
Prefabricated round posts for 1/2" thick glass in satin stainless steel.



Item #	Description	Position
FLOOR MOUNT ADJUSTABLE TOP SADDLE		
49-G424/42/F/LG/C/AS	Round Post, 1.67" OD (42.4mm) x 0.08" Wall	Center
49-G424/42/F/LG/E/AS	Round Post, 1.67" OD (42.4mm) x 0.08" Wall	End
FLOOR MOUNT FIXED TOP SADDLE		
49-G424/42/F/LG/L/SF	Round Post, 1.67" OD (42.4mm) x 0.08" Wall	Corner

G424/42/W/LG 42" FASCIA POST

Prefabricated round posts for 1/2" thick glass in satin stainless steel.

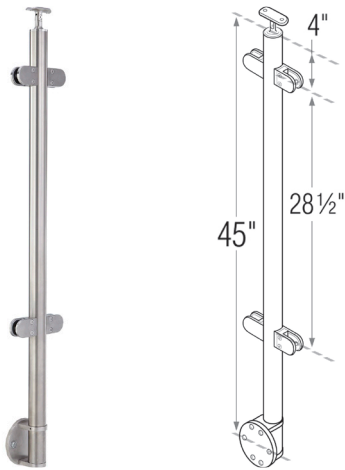


Item #	Description	Position
FASCIA MOUNT ADJUSTABLE TOP SADDLE		
49-G424/42/W/LG/C/AS	Round Post, 1.67" OD (42.4mm) x 0.08" Wall	Center
49-G424/42/W/LG/E/AS	Round Post, 1.67" OD (42.4mm) x 0.08" Wall	End
FASCIA MOUNT FIXED TOP SADDLE		
49-G424/42/W/LG/L/SF	Round Post, 1.67" OD (42.4mm) x 0.08" Wall	Corner



GS508SP SQUARE GLASS RAILING

G424/42/W/MD 42" FASCIA POST

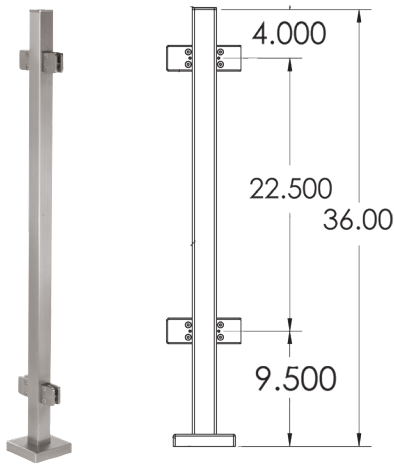


Item #	Description	Position
FASCIA MOUNT ADJUSTABLE TOP SADDLE		
49-G424/42/W/MD/C/AS	Round Post, 1.67" OD (42.4mm) x 0.08" Wall	Center
49-G424/42/W/MD/E/AS	Round Post, 1.67" OD (42.4mm) x 0.08" Wall	End
FASCIA MOUNT FIXED TOP SADDLE		
49-G424/42/W/MD/L/SF	Round Post, 1.67" OD (42.4mm) x 0.08" Wall	Corner



GS508/36 36" FLOOR POST

Prefabricated square posts for 3/8" or 1/2" thick glass in satin stainless steel.

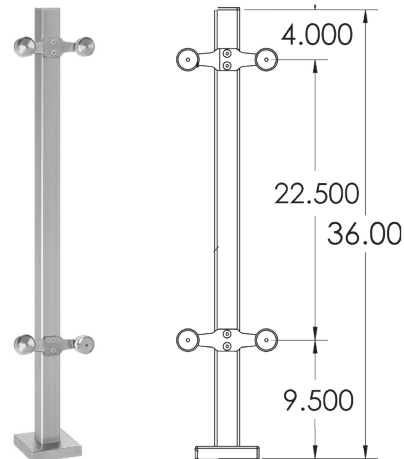


Item #	Description	Position
FLOOR MOUNT		

49-GS508/36/F/C	Square Post, 2" x 0.12" Wall	Center
49-GS508/36/F/L	Square Post, 2" x 0.12" Wall	Corner
49-GS508/36/F/E	Square Post, 2" x 0.12" Wall	End

GS508SP/36 36" FLOOR POST

Prefabricated square posts for 1/2" or 3/4" thick glass in satin stainless steel. Glass, when mounted, is offset from the center line of the posts.

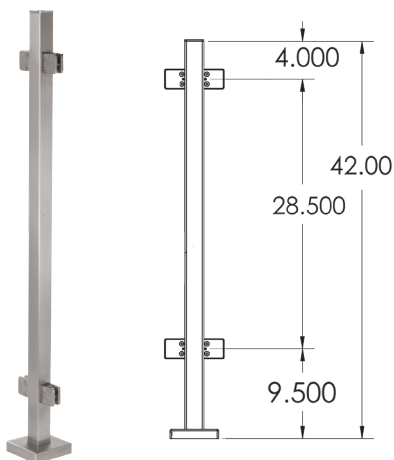


Item #	Description	Position
FLOOR MOUNT		

49-GS508SP/36/F/C	Square Post, 2" x 0.12" Wall	Center
49-GS508SP/36/F/E	Square Post, 2" x 0.12" Wall	End

GS508/42 42" FLOOR POST

Prefabricated square posts for 3/8" or 1/2" thick glass in satin stainless steel.

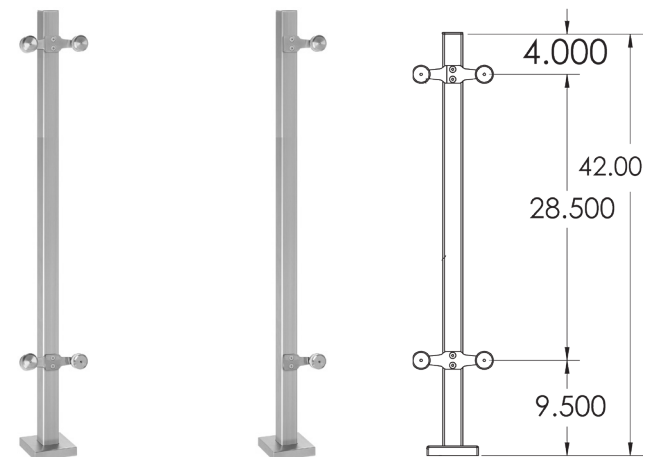


Item #	Description	Position
FLOOR MOUNT		

49-GS508/42/F/C	Square Post, 2" x 0.12" Wall	Center
49-GS508/42/F/L	Square Post, 2" x 0.12" Wall	Corner
49-GS508/42/F/E	Square Post, 2" x 0.12" Wall	End

GS508SP/42 42" FLOOR POST

Prefabricated square posts for 1/2" or 3/4" thick glass in satin stainless steel. Glass, when mounted, is offset from the center line of the posts.



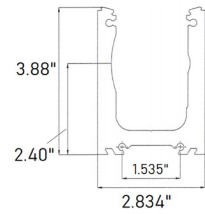
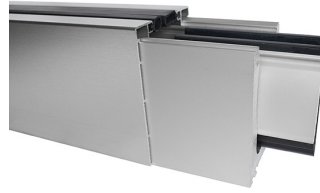
Item #	Description	Position
FLOOR MOUNT		

49-GS508SP/42/F/C	Square Post, 2" x 0.12" Wall	Center
49-GS508SP/42/F/E	Square Post, 2" x 0.12" Wall	End

ALUMINUM BASE GLASS RAIL

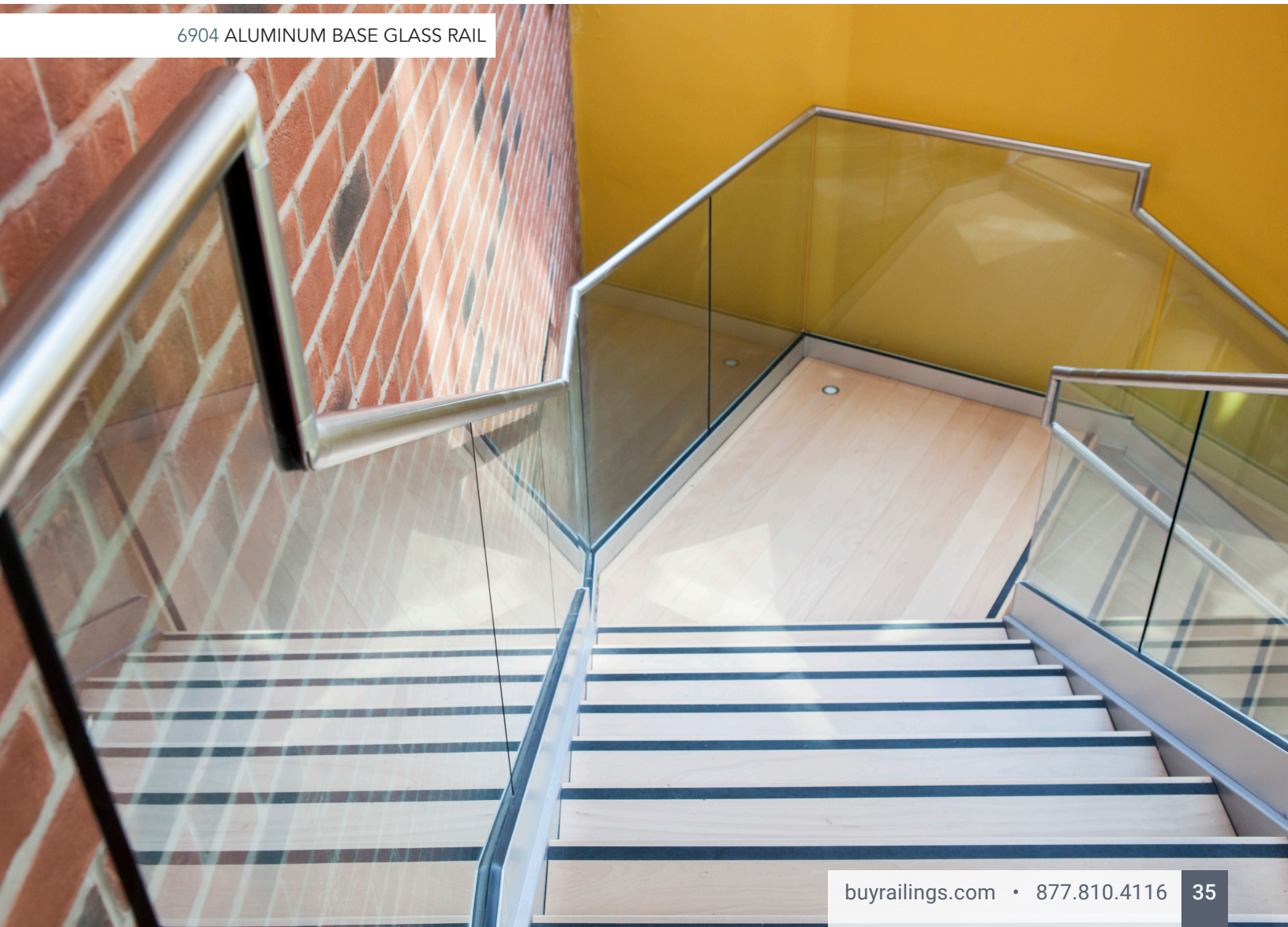
Our selection of exceptionally designed aluminum base shoes thoroughly secure glass panels and create an installation that meets safety standards and will last for years with low maintenance. Products are available in mill and anodized finishes and can be complemented with our channel tube, channel tube components, and glass rail brackets to enable elegant handrail functionality.

BSTM68-F TILT-LOCK FLOOR MOUNT



Item #	Description	Length
	ALUMINUM SATIN ANODIZED	
50-BSTM68-F	Tilt-Lock Base Shoe - Floor Mount	10 FT

6904 ALUMINUM BASE GLASS RAIL

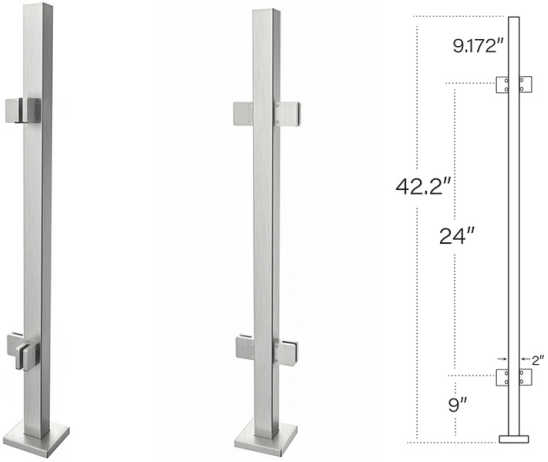


PARTITION SYSTEMS

Our modular, stainless steel and acrylic partition wall system installs quickly and easily. This modular system includes 4 standard heights — 42", 48", 60", and 72" to fit almost any space or need. Available frosted panels provide privacy. Corrosion-resistant, 316-grade stainless steel creates an architectural statement both indoors and out.

170/42/F 42" HIGH POST

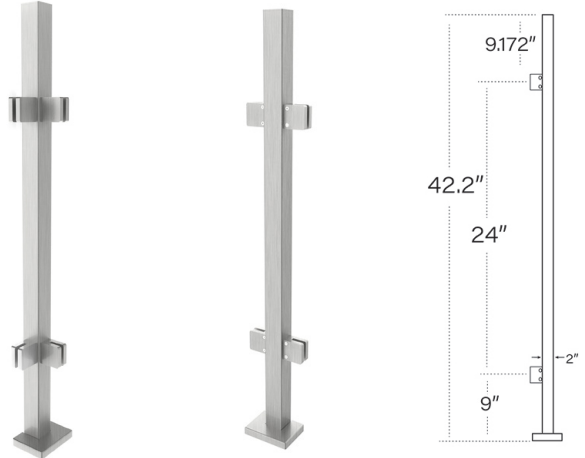
Prefabricated square posts for 1/2" acrylic or glass including glass grips, a square flange, and a top cap.



Item #	Description	Position
SATIN STAINLESS STEEL 316		
49-170/42/F/C	42"H X 2" SQUARE POST	Center
49-170/42/F/L	42"H X 2" SQUARE POST	Corner
49-170/42/F/E	42"H X 2" SQUARE POST	End

170/42/CF 42" HIGH POST

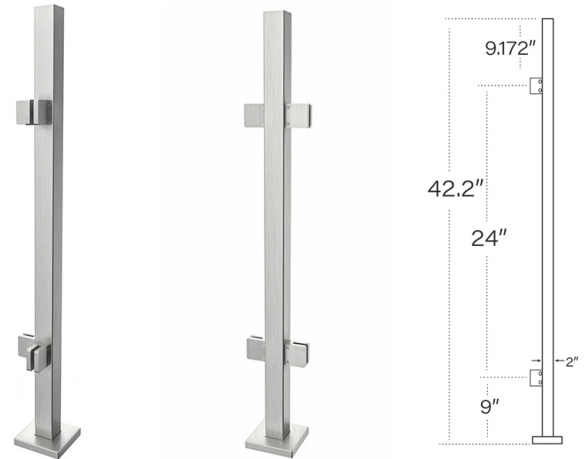
Prefabricated square posts for 1/2" acrylic or glass including glass grips, a cut flange, and a top cap.



Item #	Description	Position
SATIN STAINLESS STEEL 316		
49-170/42/CF/C	42"H X 2" SQUARE POST	Center
49-170/42/CF/L	42"H X 2" SQUARE POST	Corner
49-170/42/CF/E	42"H X 2" SQUARE POST	End

170/48/F 48" HIGH POST

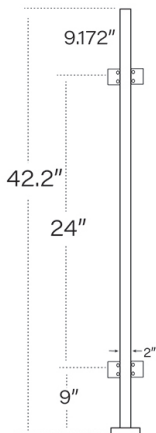
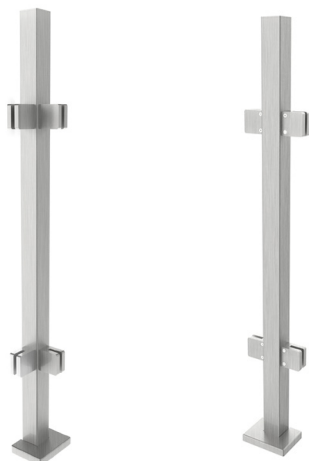
Prefabricated square posts for 1/2" acrylic or glass including glass grips, a square flange, and a top cap.



Item #	Description	Position
SATIN STAINLESS STEEL 316		
49-170/48/F/C	48"H X 2" SQUARE POST	Center
49-170/48/F/L	48"H X 2" SQUARE POST	Corner
49-170/48/F/E	48"H X 2" SQUARE POST	End

170/48/CF 48" HIGH POST

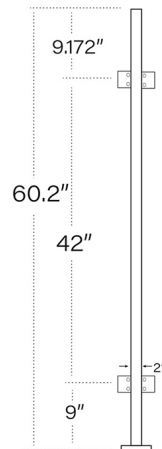
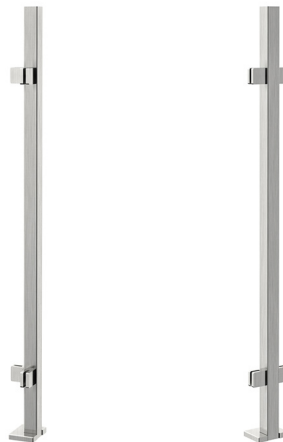
Prefabricated square posts for 1/2" acrylic or glass including glass grips, a cut flange, and a top cap.



Item #	Description	Position
SATIN STAINLESS STEEL 316		
49-170/48/CF/C	48"H X 2" SQUARE POST	Center
49-170/48/CF/L	48"H X 2" SQUARE POST	Corner
49-170/48/CF/E	48"H X 2" SQUARE POST	End

170/60/CF 60" HIGH POST

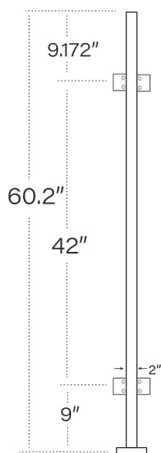
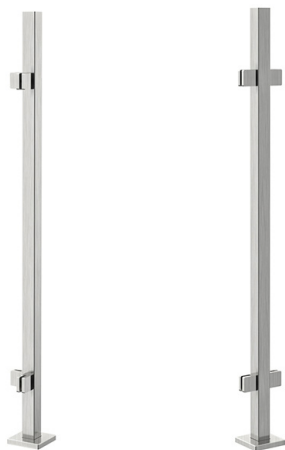
Prefabricated square posts for 1/2" acrylic or glass including glass grips, a cut flange, and a top cap.



Item #	Description	Position
SATIN STAINLESS STEEL 316		
49-170/60/CF/C	60"H X 2" SQUARE POST	Center
49-170/60/CF/L	60"H X 2" SQUARE POST	Corner
49-170/60/CF/E	60"H X 2" SQUARE POST	End

170/60/F 60" HIGH POST

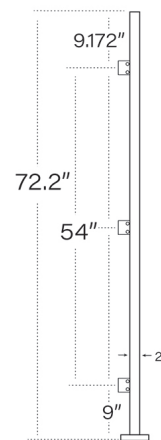
Prefabricated square posts for 1/2" acrylic or glass including glass grips, a square flange, and a top cap.



Item #	Description	Position
SATIN STAINLESS STEEL 316		
49-170/60/F/C	60"H X 2" SQUARE POST	Center
49-170/60/F/L	60"H X 2" SQUARE POST	Corner
49-170/60/F/E	60"H X 2" SQUARE POST	End

170/72/F 72" HIGH POST

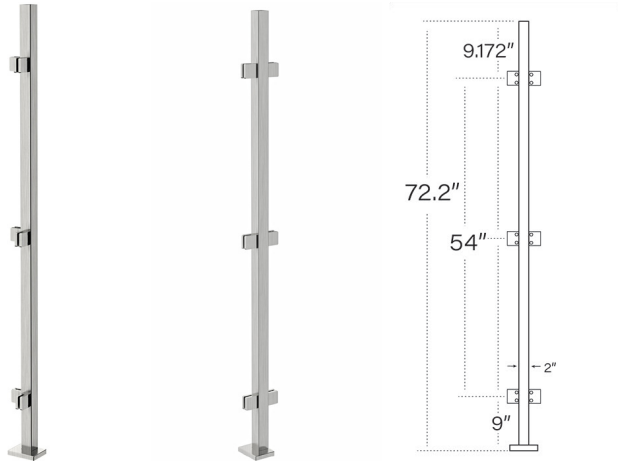
Prefabricated square posts for 1/2" acrylic or glass including glass grips, a square flange, and a top cap.



Item #	Description	Position
SATIN STAINLESS STEEL 316		
49-170/72/F/C	72"H X 2" SQUARE POST	Center
49-170/72/F/L	72"H X 2" SQUARE POST	Corner
49-170/72/F/E	72"H X 2" SQUARE POST	End

170/72/CF 72" HIGH POST

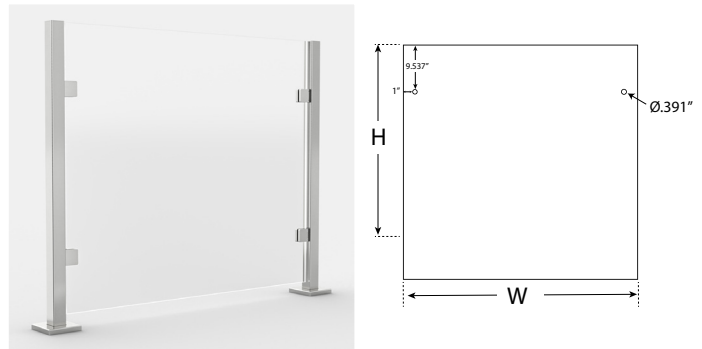
Prefabricated square posts for 1/2" acrylic or glass including glass grips, a cut flange, and a top cap.



Item #	Description	Position
SATIN STAINLESS STEEL 316		
49-170/72/CF/C	72"H X 2" SQUARE POST	Center
49-170/72/CF/L	72"H X 2" SQUARE POST	Corner
49-170/72/CF/E	72"H X 2" SQUARE POST	End

80-A2-P 1/2" FROSTED ACRYLIC PANELS

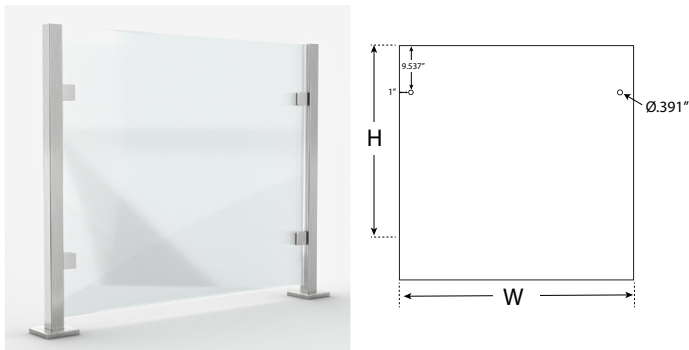
Architectural grade panels with polished edges and two holes to fit with glass grip pins. One side of the panel is frosted, the other is clear. Posts not included.



Item #	Description	Size
ACRYLIC FROSTED		
84-A4860/4	FROSTED PANEL - 48" W X 60" H	48" x 60"
84-A6060/4	FROSTED PANEL - 60" W X 60" H	60" x 60"
84-A4842/4	FROSTED PANEL - 48" W X 42" H	42" x 48"
84-A4848/4	FROSTED PANEL - 48" W X 48" H	48" x 48"
84-A4872/4	FROSTED PANEL - 48" W X 72" H	48" x 72"
84-A6042/4	FROSTED PANEL - 60" W X 42" H	60" x 42"
84-A6048/4	FROSTED PANEL - 60" W X 48" H	60" x 48"
84-A6072/4	FROSTED PANEL - 60" W X 72" H	60" x 72"

80-A1-P 1/2" CLEAR ACRYLIC PANELS

Architectural grade panels with polished edges and two holes to fit with glass grip pins. Posts not included.



Item #	Description	Size
ACRYLIC CLEAR		
80-A4860/4	CLEAR PANEL - 48" W X 60" H	48" x 60"
80-A6060/4	CLEAR PANEL - 60" W X 60" H	60" x 60"
80-A4842/4	CLEAR PANEL - 48" W X 42" H	42" x 48"
80-A4848/4	CLEAR ACRYLIC PANEL - 48" W X 48" H	48" x 48"
80-A4872/4	CLEAR PANEL - 48" W X 72" H	48" x 72"
80-A6042/4	CLEAR PANEL - 60" W X 42" H	60" x 42"
80-A6048/4	CLEAR PANEL - 60" W X 48" H	60" x 48"
80-A6072/4	CLEAR PANEL - 60" W X 72" H	60" x 72"

PH01 GATE HINGE

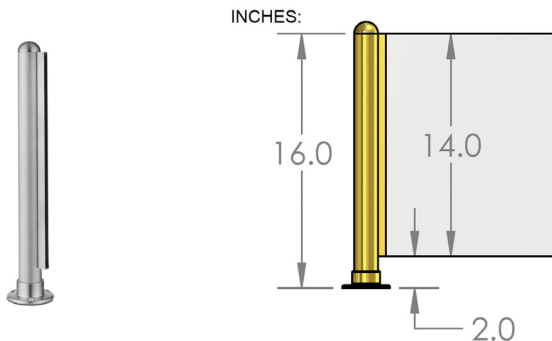


Item #	Description
SATIN (BRUSHED) NICKEL	
14-PH01	Gate Hinge in Satin (Brushed) Nickel

BOOTH DIVIDERS

PR51 16" HIGH BOOTH DIVIDER

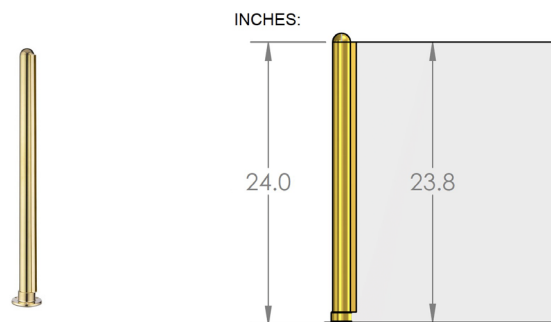
Prefabricated posts for 1/4" panels (1-1/2" OD)



Item #	Description	Position
POLISHED BRASS		
00-PR51/C	16" Booth Divider Post	Center
00-PR51/L	16" Booth Divider Post	Corner
00-PR51/E	16" Booth Divider Post	End
POLISHED STAINLESS STEEL 304		
40-PR51/C	16" Booth Divider Post	Center
40-PR51/L	16" Booth Divider Post	Corner
40-PR51/E	16" Booth Divider Post	End
SATIN STAINLESS STEEL 304		
44-PR51/C	16" Booth Divider Post	Center
44-PR51/L	16" Booth Divider Post	Corner
44-PR51/E	16" Booth Divider Post	End

PR53 24" HIGH BOOTH DIVIDER POST

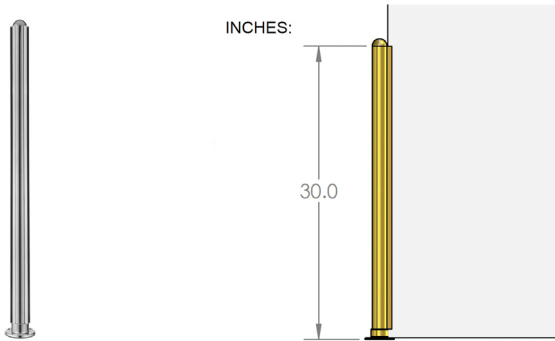
Prefabricated posts for 1/4" panels (1-1/2" OD)



Item #	Description	Position
POLISHED BRASS		
00-PR53/C	24" Booth Divider Post	Center
00-PR53/L	24" Booth Divider Post	Corner
00-PR53/E	24" Booth Divider Post	End
POLISHED STAINLESS STEEL 304		
40-PR53/C	24" Booth Divider Post	Center
40-PR53/L	24" Booth Divider Post	Corner
40-PR53/E	24" Booth Divider Post	End
SATIN STAINLESS STEEL 304		
44-PR53/C	24" Booth Divider Post	Center
44-PR53/L	24" Booth Divider Post	Corner
44-PR53/E	24" Booth Divider Post	End

PR55 30" HIGH BOOTH DIVIDER POST

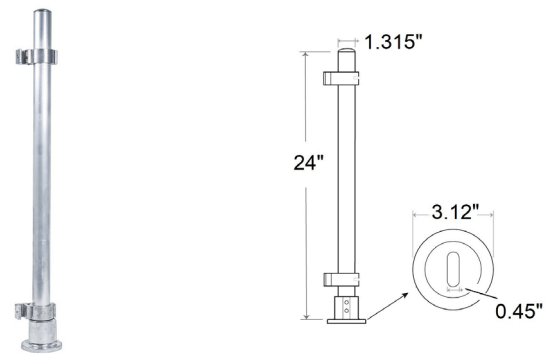
Prefabricated posts for 1/4" panels (1-1/2" OD)



Item #	Description	Position
POLISHED BRASS		
00-PR55/C	30" Booth Divider Post	Center
00-PR55/L	30" Booth Divider Post	Corner
00-PR55/E	30" Booth Divider Post	End
POLISHED STAINLESS STEEL 304		
40-PR55/C	30" Booth Divider Post	Center
40-PR55/L	30" Booth Divider Post	Corner
40-PR55/E	30" Booth Divider Post	End
SATIN STAINLESS STEEL 304		
44-PR55/C	30" Booth Divider Post	Center
44-PR55/L	30" Booth Divider Post	Corner
44-PR55/E	30" Booth Divider Post	End

PR53-A1 24" HIGH BOOTH DIVIDER

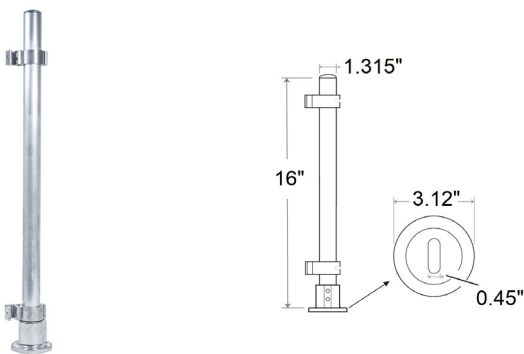
Prefabricated posts for 1/4" - 3/8" panels (1.315" OD)



Item #	Description	Position
ALUMINUM SATIN ANODIZED		
50-PR53-A1/C	24" Booth Divider Post	Center
50-PR53-A1/E	24" Booth Divider Post	End
ALUMINUM BLACK		
51BK-PR53-A1/C	24" Booth Divider Post	Center
51BK-PR53-A1/E	24" Booth Divider Post	End
ALUMINUM MILL FINISH		
51-PR53-A1/C	24" Booth Divider Post	Center
51-PR53-A1/E	24" Booth Divider Post	End

PR51-A1 16" HIGH BOOTH DIVIDER

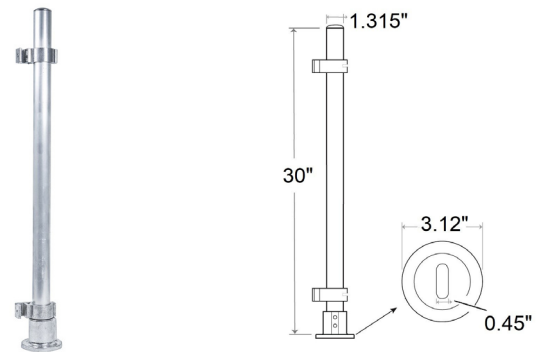
Prefabricated posts for 1/4" - 3/8" panels (1.315" OD)



Item #	Description	Position
ALUMINUM SATIN ANODIZED		
50-PR51-A1/C	16" Booth Divider Post	Center
50-PR51-A1/E	16" Booth Divider Post	End
ALUMINUM BLACK		
51BK-PR51-A1/C	16" Booth Divider Post	Center
51BK-PR51-A1/E	16" Booth Divider Post	End
ALUMINUM MILL FINISH		
51-PR51-A1/C	16" Booth Divider Post	Center
51-PR51-A1/E	16" Booth Divider Post	End

PR55-A1 30" HIGH BOOTH DIVIDER

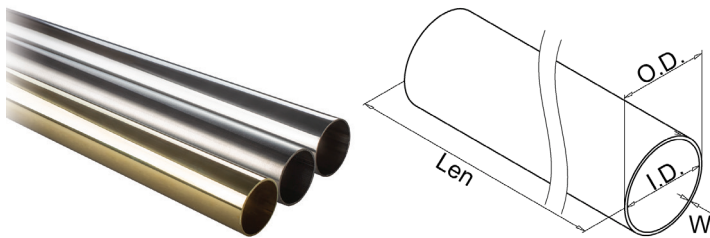
Prefabricated posts for 1/4" - 3/8" panels (1.315" OD)



Item #	Description	Position
ALUMINUM SATIN ANODIZED		
50-PR55-A1/C	30" Booth Divider Post	Center
50-PR55-A1/E	30" Booth Divider Post	End
ALUMINUM BLACK		
51BK-PR55-A1/C	30" Booth Divider Post	Center
51BK-PR55-A1/E	30" Booth Divider Post	End
ALUMINUM MILL FINISH		
51-PR55-A1/C	30" Booth Divider Post	Center
51-PR55-A1/E	30" Booth Divider Post	End

A100 1" OD X 0.05" TUBING

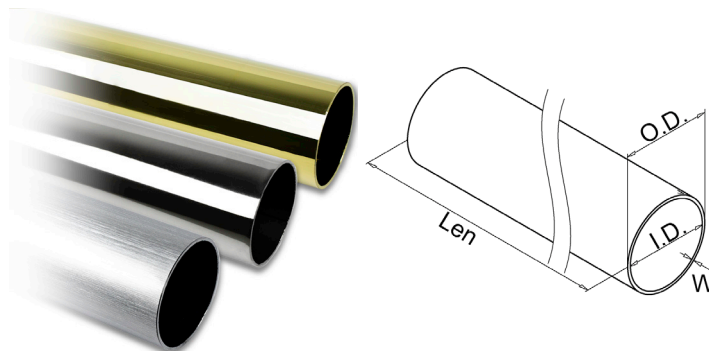
Round tube that fits with our selection of flush and ball fittings.



Item #	Description	Tubing Size	O.D.	I.D.	W	LEN
POLISHED BRASS						
00-A100	1" OD Tubing	1" OD	1"	0.9"	0.05"	12 FT
POLISHED STAINLESS STEEL 304						
40-A100	1" OD Tubing	1" OD	1"	0.9"	0.05"	20 FT
SATIN STAINLESS STEEL 304						
44-A100	1" OD Tubing	1" OD	1"	0.9"	0.05"	20 FT

A120 2" OD X 0.05" TUBING

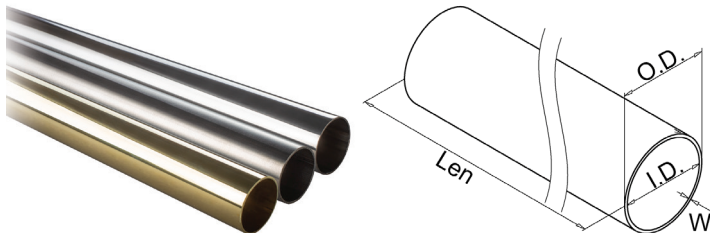
Round tube that fits with our selection of flush and ball fittings.



Item #	Description	Tubing Size	O.D.	I.D.	W	LEN
POLISHED BRASS						
00-A120	2" OD Tubing	2" OD	2"	1.9"	0.05"	16 FT
POLISHED STAINLESS STEEL 304						
40-A120	2" OD Tubing	2" OD	2"	1.9"	0.05"	20 FT
SATIN STAINLESS STEEL 304						
44-A120	2" OD Tubing	2" OD	2"	1.9"	0.05"	20 FT

A110 1-1/2" OD X 0.05" TUBING

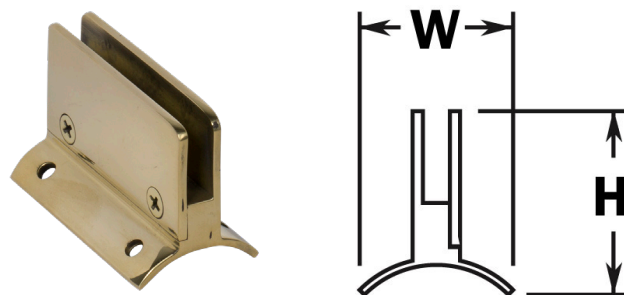
Round tube that fits with our selection of flush and ball fittings.



Item #	Description	Tubing Size	O.D.	I.D.	W	LEN
POLISHED BRASS						
00-A110	1-1/2" OD Tubing	1-1/2" OD	1-1/2"	1.4"	0.05"	16 FT
POLISHED STAINLESS STEEL 304						
40-A110	1-1/2" OD Tubing	1-1/2" OD	1-1/2"	1.4"	0.05"	20 FT
SATIN STAINLESS STEEL 304						
44-A110	1-1/2" OD Tubing	1-1/2" OD	1-1/2"	1.4"	0.05"	20 FT

812 CLIP FOR 1/4" GLASS

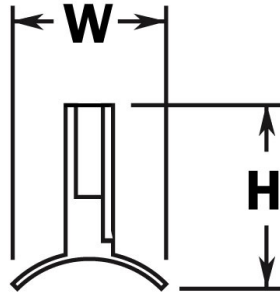
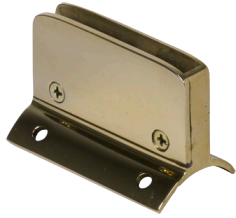
Solid brass, no insert. Fix glass in place with silicone.



Item #	Description	Tubing Size	W	H
POLISHED BRASS				
00-812/1H	Mount on 1-1/2" OD Tubing	1-1/2" OD	1-1/2"	1-1/2"
00-812/2	Mount on 2" OD Tubing	2" OD	1-1/2"	1-1/2"

812S CLIP W/STOPPER 1/4" GLASS

Solid brass, no insert. Fix glass in place with silicone.



Item #	Description	Position	Tubing Size	W	H
POLISHED BRASS					
00-812/1HSL	Mount on 1-1/2" OD Tubing	Left	1-1/2" OD	1-1/2"	1-3/4"
00-812/2SL	Mount on 2" OD Tubing	Left	2" OD	1-3/8"	1-3/16"
00-812/1HSR	Mount on 1-1/2" OD Tubing	Right	1-1/2" OD	1-1/2"	1-3/4"
00-812/2SR	Mount on 2" OD Tubing	Right	2" OD	1-3/8"	1-3/16"

813 SQUARE GRIP 1/2" GLASS

Rubber insert included.

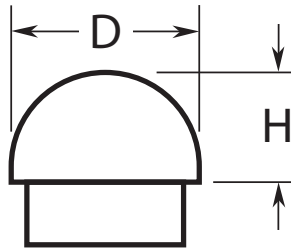
Item #	Description	Tubing Size	W	H
SATIN STAINLESS STEEL 304				
44-813/2	Mount on 2" OD Tubing	2" OD	2-15/16"	1-5/16"

600 FLUSH END CAP



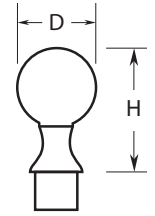
Item #	Description	Tubing Size	D	H
POLISHED BRASS				
00-600/1	For 1" OD x 0.05" Wall Tubing	1" OD	1"	1/8"
00-600/1H	For 1-1/2" OD x 0.05" Wall Tubing	1-1/2" OD	1-1/2"	1/8"
00-600/2	For 2" OD x 0.05" Wall Tubing	2" OD	2"	1/8"
POLISHED STAINLESS STEEL 304				
40-600/1	For 1" OD x 0.05" Wall Tubing	1" OD	1"	1/8"
40-600/1H	For 1-1/2" OD x 0.05" Wall Tubing	1-1/2" OD	1-1/2"	1/8"
40-600/2	For 2" OD x 0.05" Wall Tubing	2" OD	2"	1/8"
SATIN STAINLESS STEEL 304				
44-600/1	For 1" OD x 0.05" Wall Tubing	1" OD	1"	1/8"
44-600/1H	For 1-1/2" OD x 0.05" Wall Tubing	1-1/2" OD	1-1/2"	1/8"
44-600/2	For 2" OD x 0.05" Wall Tubing	2" OD	2"	1/8"
POLISHED STAINLESS STEEL 316				
47-600/1H16	For 1-1/2" OD x 0.06" Wall Tubing	1-1/2" OD	1-1/2"	1/8"
47-600/216	For 2" OD x 0.06" Wall Tubing	2" OD	2"	1/8"
SATIN STAINLESS STEEL 316				
49-600/1H16	For 1-1/2" OD x 0.06" Wall Tubing	1-1/2" OD	1-1/2"	1/8"
49-600/216	For 2" OD x 0.06" Wall Tubing	2" OD	2"	1/8"

602 HALF BALL END CAP



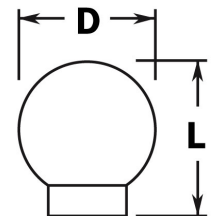
Item #	Description	Tubing Size	D	H
POLISHED BRASS				
00-602/1	For 1" OD x 0.05" Wall Tubing	1" OD	1"	1-1/2"
00-602/1H	For 1-1/2" OD x 0.05" Wall Tubing	1-1/2" OD	1-1/2"	3/4"
00-602/2	For 2" OD x 0.05" Wall Tubing	2" OD	2"	1"
POLISHED STAINLESS STEEL 304				
40-602/1H	For 1-1/2" OD x 0.05" Wall Tubing	1-1/2" OD	1-1/2"	3/4"
40-602/2	For 2" OD x 0.05" Wall Tubing	2" OD	2"	1"
SATIN STAINLESS STEEL 304				
44-602/1H	For 1-1/2" OD x 0.05" Wall Tubing	1-1/2" OD	1-1/2"	3/4"
44-602/2	For 2" OD x 0.05" Wall Tubing	2" OD	2"	1"
POLISHED STAINLESS STEEL 316				
47-602/424	For 1.67" OD x 0.08" Wall Tubing	1.67" OD	1.67"	13/16"
SATIN STAINLESS STEEL 316				
49-602/424	For 1.67" OD x 0.08" Wall Tubing	1.67" OD	1.67"	13/16"

604-604B BALL FINIAL



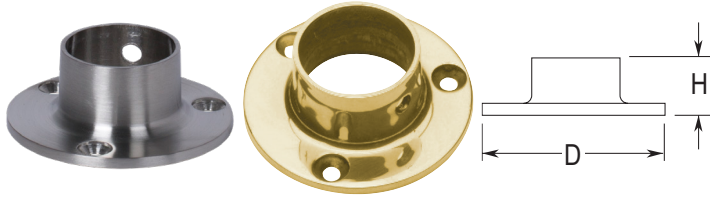
Item #	Description	Tubing Size	D	H
POLISHED BRASS				
00-604/1	For 1" OD x 0.05" Wall Tubing	1" OD	1-1/2"	2"
00-604/1H	For 1-1/2" OD x 0.05" Wall Tubing	1-1/2" OD	2-5/8"	3-1/4"
00-604/2	For 2" OD x 0.05" Wall Tubing	2" OD	3-1/8"	4-1/2"
POLISHED STAINLESS STEEL 304				
40-604/1H	For 1-1/2" OD x 0.05" Wall Tubing	1-1/2" OD	2-5/8"	3-1/4"
40-604/2	For 2" OD x 0.05" Wall Tubing	2" OD	3-1/8"	4-1/2"
SATIN STAINLESS STEEL 304				
44-604/1H	For 1-1/2" OD x 0.05" Wall Tubing	1-1/2" OD	2-5/8"	3-1/4"
44-604/2	For 2" OD x 0.05" Wall Tubing	2" OD	3-1/8"	4-1/2"
POLISHED STAINLESS STEEL 316				
47-604/1H16	For 1-1/2" OD x 0.06" Wall Tubing	1-1/2" OD	2-3/4"	4-1/16"
47-604/424	For 1.67" OD x 0.08" Wall Tubing	1.67" OD	2-3/4"	4-1/16"
47-604/216	For 2" OD x 0.06" Wall Tubing	2" OD	4-9/16"	3-1/16"
SATIN STAINLESS STEEL 316				
49-604/1H16	For 1-1/2" OD x 0.06" Wall Tubing	1-1/2" OD	2-3/4"	4-1/16"
49-604/424	For 1.67" OD x 0.08" Wall Tubing	1.67" OD	2-3/4"	4-1/16"
49-604/216	For 2" OD x 0.06" Wall Tubing	2" OD	3-1/16"	4-9/16"

700 BALL SINGLE OUTLET



Item #	Description	Tubing Size	D	L
POLISHED BRASS				
00-700/1H	For 1-1/2" OD Tubing	1-1/2" OD	2-1/2"	2-11/16"
00-700/2	For 2" OD Tubing	2" OD	3-1/4"	3-3/8"
POLISHED STAINLESS STEEL 304				
40-700/1H	For 1-1/2" OD Tubing	1-1/2" OD	2-1/2"	2-11/16"
40-700/2	For 2" OD Tubing	2" OD	3-1/4"	3-3/8"
SATIN STAINLESS STEEL 304				
44-700/1H	For 1-1/2" OD Tubing	1-1/2" OD	2-1/2"	2-11/16"
44-700/2	For 2" OD Tubing	2" OD	3-1/4"	3-3/8"

500 WALL FLANGE FOR 1" OD TUBE



Item #	Description	Tubing Size	D	H
POLISHED BRASS				
00-500/1	For 1" OD Tubing	1" OD	2-1/8"	13/16"
POLISHED STAINLESS STEEL 304				
40-500/1	For 1" OD Tubing	1" OD	2-1/8"	13/16"
SATIN STAINLESS STEEL 304				
44-500/1	For 1" OD Tubing	1" OD	2-1/8"	13/16"

510 WALL FLANGE FOR 1-1/2" OD TUBE



Item #	Description	Tubing Size	D	H
POLISHED BRASS				
00-510/1H	For 1-1/2" OD Tubing	1-1/2" OD	3"	1-1/16"
SATIN STAINLESS STEEL 304				
44-510/1H	For 1-1/2" OD Tubing	1-1/2" OD	3"	1-1/16"
POLISHED STAINLESS STEEL 316				
47-510/1H	For 1-1/2" OD Tubing	1-1/2" OD	3"	1-1/16"
47-510/424	For 1.67" OD (42.4mm) Tubing	1.67" OD	3-3/8"	1"
SATIN STAINLESS STEEL 316				
49-510/1H	For 1-1/2" OD Tubing	1-1/2" OD	3"	1-1/16"
49-510/424	For 1.67" OD (42.4mm) Tubing	1.67" OD	3-3/8"	1"

511 CUT FLANGE FOR 1-1/2" OD TUBE



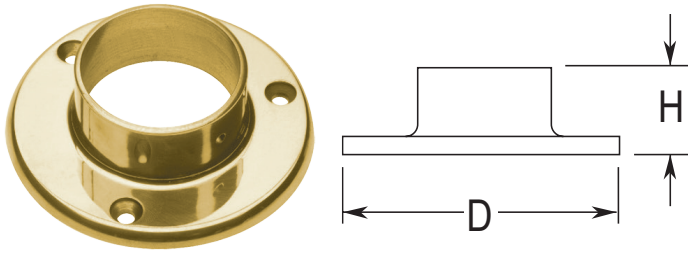
Item #	Description	Tubing Size	D	W
POLISHED BRASS				
00-511/H	For 1-1/2" OD Tubing	1-1/2" OD	3"	2"
POLISHED STAINLESS STEEL 304				
40-511/H	For 1-1/2" OD Tubing	1-1/2" OD	3"	2"
SATIN STAINLESS STEEL 304				
44-511/H	For 1-1/2" OD Tubing	1-1/2" OD	3"	2"
SATIN STAINLESS STEEL 316				
49-511/424	For 1.67" (42.4mm) OD Tubing	1.67" OD	3"	2"

512 FLOOR FLANGE FOR 1-1/2" OD TUBE



Item #	Description	Tubing Size	D	H
POLISHED BRASS				
00-512/1H	For 1-1/2" OD Tubing	1-1/2" OD	4"	11/4"
POLISHED STAINLESS STEEL 304				
40-512/1H	For 1-1/2" OD Tubing	1-1/2" OD	4"	11/4"
SATIN STAINLESS STEEL 304				
44-512/1H	For 1-1/2" OD Tubing	1-1/2" OD	4"	11/4"

530 WALL FLANGE FOR 2" OD TUBE



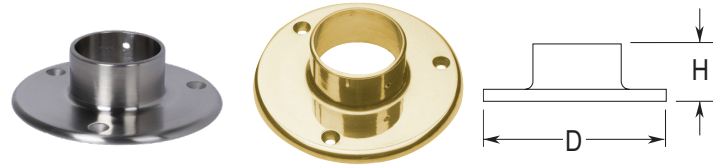
Item #	Description	Tubing Size	D	H
POLISHED BRASS				
00-530/2	For 2" Tubing	2" OD	4"	1-1/4"
POLISHED STAINLESS STEEL 316				
47-530/2	For 2" Tubing	2" OD	4"	1-1/4"
SATIN STAINLESS STEEL 316				
49-530/2	For 2" Tubing	2" OD	4"	1-1/4"

531 CUT WALL FLANGE FOR 2" OD TUBE



Item #	Description	Tubing Size	D	W
POLISHED BRASS				
00-531/2	For 2" Tubing	2" OD	4"	2 1/2"
POLISHED STAINLESS STEEL 304				
40-531/2	For 2" Tubing	2" OD	4"	2 1/2"
SATIN STAINLESS STEEL 304				
44-531/2	For 2" Tubing	2" OD	4"	2 1/2"

532 FLANGE FOR 2" OD TUBE



Item #	Description	Tubing Size	H	D
POLISHED BRASS				
00-532/2	For 2" Tubing	2" OD	1 3/8"	5"
POLISHED STAINLESS STEEL 304				
40-532/2	For 2" Tubing	2" OD	1 3/8"	5"
SATIN STAINLESS STEEL 304				
44-532/2	For 2" Tubing	2" OD	1 3/8"	5"

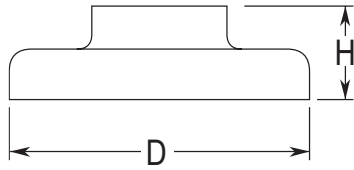
B/SET FLANGE, INSERT & CANOPY

1-1/2" set insert outside diameter = 1-3/8" - use with tube item A110. 2" set insert outside diameter = 1-7/8" - use with tube item A120.



Item #	Description	Tubing Size
POLISHED BRASS		
00-B/1H	For 1-1/2" OD Tubing w/Canopy	1-1/2" OD
00-B/2	For 2" OD Tubing w/Canopy	2" OD
POLISHED STAINLESS STEEL 304		
40-B/1H	For 1-1/2" OD Tubing w/Canopy	1-1/2" OD
40-B/2	For 2" OD Tubing w/Canopy	2" OD
SATIN STAINLESS STEEL 304		
44-B/1H	For 1-1/2" OD Tubing w/Canopy	1-1/2" OD
44-B/2	For 2" OD Tubing w/Canopy	2" OD

540C CUT FLANGE CANOPY



Item #	Description	Tubing Size	D	H
POLISHED STAINLESS STEEL 304				
40-540C/1H	For 1-1/2" OD Tubing	1-1/2" OD	4-1/2"	1-3/4"
40-540C/2	For 2" OD Tubing	2" OD	4-1/2"	1-3/4"
SATIN STAINLESS STEEL 304				
44-540C/1H	For 1-1/2" OD Tubing	1-1/2" OD	4-1/2"	1-3/4"
44-540C/2	For 2" OD Tubing	2" OD	4-1/2"	1-3/4"

QUIK CONNECT™ MESH PANEL SYSTEM

Quik Connect™ kits fuse the function and strength of Speed-Rail® with pure architectural design and unmatched performance in a 100% aluminum system. With 9 simple kit assembly options, Quik Connect™ integrates Speed-Rail® providing unrivaled railing strength with easy installation.

MP112ID/42/F 42" FLOOR POST

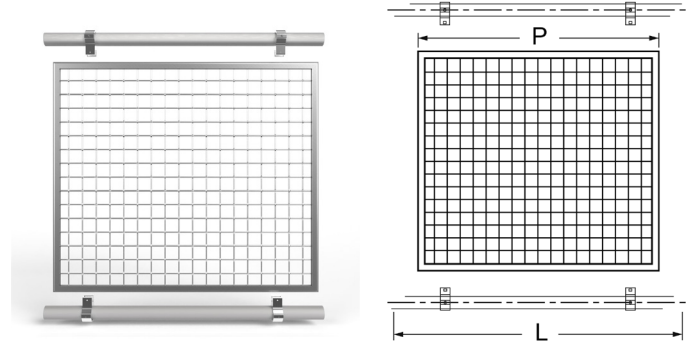
Prefabricated round posts for Aluminum Mesh Panel System (also available in black powder coat)



Item #	Description	Position
ALUMINUM SATIN ANODIZED		
50-MP112ID/42/F/AL	42" Post for Mesh Panel System	Adjustable Corner
50-MP112ID/42/F/C	42" Post for Mesh Panel System	Center
50-MP112ID/42/F/L	42" Post for Mesh Panel System	Corner
50-MP112ID/42/F/E	42" Post for Mesh Panel System	End

MP42 MESH PANELS AND HORIZONTAL RAILING

Mesh Panel, Bracket and Top/Bottom Rail Assemblies (also available in black powder coat)



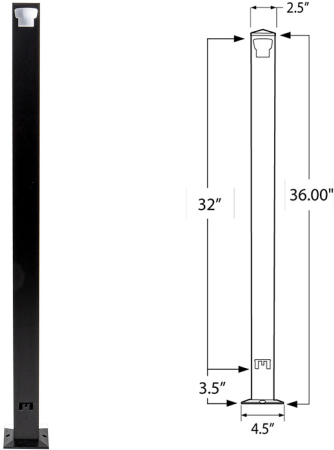
Item #	Description	Length	P	L
SILVER POWDER COATED ALUMINUM				
50-MP42/1320	Mesh Panel for 42" Railing	13-20"	10-1/2"	18"
50-MP42/2027	Mesh Panel for 42" Railing	20-27"	17-1/2"	25"
50-MP42/2734	Mesh Panel for 42" Railing	27-34"	24-1/2"	32"
50-MP42/3441	Mesh Panel for 42" Railing	34-41"	31-1/2"	39"
50-MP42/4148	Mesh Panel for 42" Railing	41-48"	38-1/2"	46"

PICKET RAIL SYSTEM

This aluminum railing system is pre-assembled, easily customized, and is a modern variation of classic wrought iron railings. The Series 9000 Aluminum Picket Railing provides strength but in a lighter weight form. With clean, classic aesthetics and elegant premium paint that is durable, these railings are ideal for your patio, deck or balcony and you will enjoy making them a part of your home.

9000/36/F 36" HIGH POST

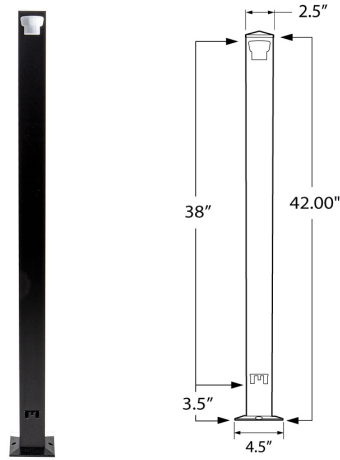
Prefabricated posts, 2-1/2" square with integral holes designed to hold prefabricated vertical picket panels. These posts come complete with a flange on the bottom and a cap on top. Available in black, dark bronze, and white finishes.



Item #	Description	Position	Tubing Size
ALUMINUM BLACK			
51BK-9000/36/F/C	36"H x 2-1/2" SQUARE POST	Center	2.5"x2.5"
51BK-9000/36/F/L	36"H x 2-1/2" SQUARE POST	Corner	2.5"x2.5"
51BK-9000/36/F/E	36"H x 2-1/2" SQUARE POST	End	2.5"x2.5"
51BK-9000/36/F/R	36"H x 2-1/2" SQUARE POST	Receiver	2.5"x2.5"

9000/42/F 42" HIGH POST

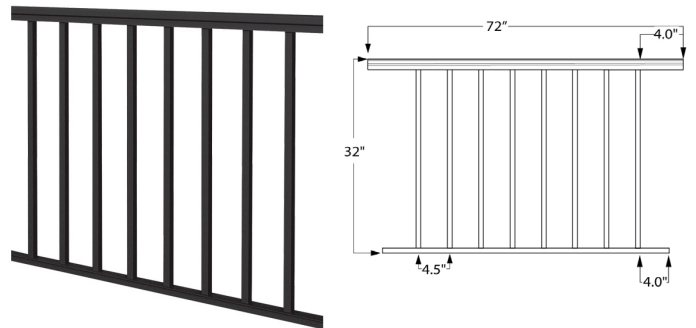
Prefabricated posts, 2-1/2" square with integral holes designed to hold prefabricated vertical picket panels. These posts come complete with a flange on the bottom and a cap on top. Available in black, dark bronze, and white finishes.



Item #	Description	Position	Tubing Size
ALUMINUM BLACK			
51BK-9000/42/F/C	42"H x 2-1/2" SQUARE POST	Center	2.5"x2.5"
51BK-9000/42/F/L	42"H x 2-1/2" SQUARE POST	Corner	2.5"x2.5"
51BK-9000/42/F/E	42"H x 2-1/2" SQUARE POST	End	2.5"x2.5"
51BK-9000/42/F/R	42"H x 2-1/2" SQUARE POST	Receiver	2.5"x2.5"

3642L LEVEL PICKET RAIL PANELS

Level Picket Rail Panels are available in 5ft and 6ft lengths and in two heights: for 36" and 42" railing. The vertical pickets are 3/4" square and are spaced 4-1/2" from center to center. All panels are available in black, white and dark bronze painted finishes.



Item #	Description	Height	Length
ALUMINUM BLACK			
51BK-PRP36/6	36" H x 6 FT L	36"	6FT
51BK-PRP36/5	36" H x 5 FT L	36"	5FT
51BK-PRP42/5	42" H x 5 FT L	42"	5FT
51BK-PRP42/6	42" H x 6 FT L	42"	6FT

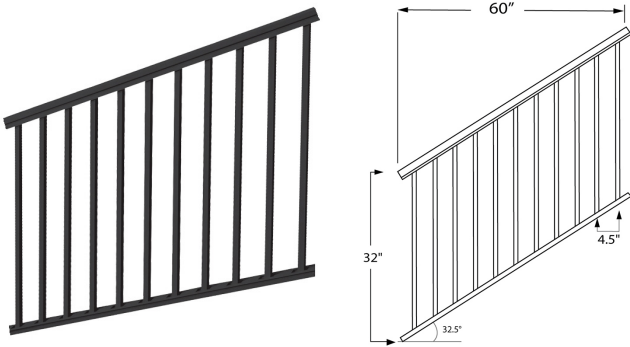


9000 SERIES PICKET RAIL SYSTEM



3642S STAIR PICKET RAIL PANELS

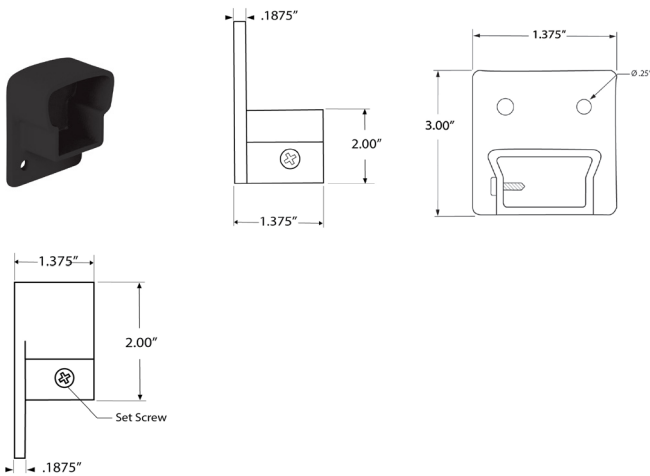
Stair Picket Rail Panels are available in 5ft and 6ft lengths and in two heights: for 36" and 42" railing. The vertical pickets are $\frac{3}{4}$ " square and are spaced 4-1/2" from center to center. All panels are available in black, white and dark bronze painted finishes.



Item #	Description	Height	Length
ALUMINUM BLACK			
51BK-PRP36S/5	36" H x 5 FT L	36"	5FT
51BK-PRP36S/6	36" H x 6 FT L	36"	6FT
51BK-PRP42S/5	42" H x 5 FT L	42"	5FT
51BK-PRP42S/6	42" H x 6 FT L	42"	6FT

9000EB POST END BRACKETS - LEVEL

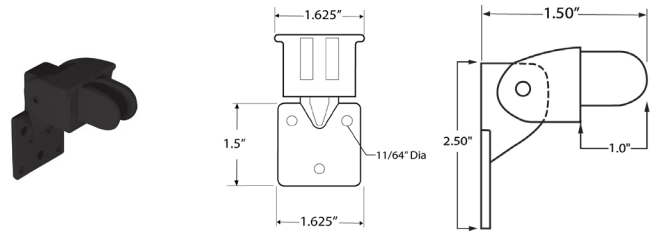
The Post End Brackets are made of cast aluminum and are available in black, white, and dark bronze painted finishes. These top and bottom brackets are designed to mount on to our 9000/36/F and 9000/42/F receiver posts and will hold the top and bottom rails of our level picket rail panels 3642L.



Item #	Description	Position
ALUMINUM BLACK		
947BB	POST MOUNT BRACKET	Bottom
939TB	POST MOUNT BRACKET	Top

9000VSB POST VERTICAL SWIVEL BRACKETS

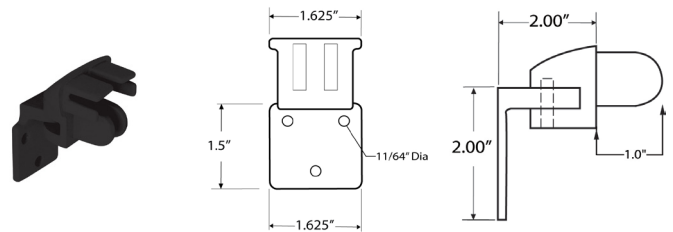
The Post Vertical Swivel Brackets are made of cast aluminum and are available in black, white, and dark bronze painted finishes. These top and bottom brackets are designed to mount on to our 9000/36/F and 9000/42/F receiver posts and will hold the top and bottom rails of our stair picket rail panels 3642S. The brackets swivel up and down.



Item #	Description	Position
ALUMINUM BLACK		
956-B	POST MOUNT BRACKET	Bottom
959-B	POST MOUNT BRACKET	Top

9000HSB POST HORIZONTAL SWIVEL BRACKETS

The Post Horizontal Swivel Brackets are made of cast aluminum and are available in black, white, and dark bronze painted finishes. These top and bottom brackets are designed to mount on to our 9000/36/F and 9000/42/F receiver posts and will hold the top and bottom rails of our level picket rail panels 3642L. The brackets swivel from side to side.



Item #	Description	Position
ALUMINUM BLACK		
954BB	POST MOUNT BRACKET	Bottom
969TB	POST MOUNT BRACKET	Top

310-9 POST BRACKET SCREW

The Post Bracket Screw is used to connect a Top Bracket or Bottom Bracket (9000EB, 9000HSB, 9000VSB) to a receiver post (9000/36/F, 9000/42/F). The screws heads are available in black, dark bronze and white painted finishes.



Item #	Description
████████	ALUMINUM BLACK
310-B9	POST BRACKET SCREW - BLACK

912-9 BINDER BOLT

The Binder Bolt is used to connect a picket rail panel (3642L or 3642S) to a Top Bracket or Bottom Bracket (9000EB, 9000HSB, 9000VSB). The bolts are available in black, dark bronze and white painted finishes.



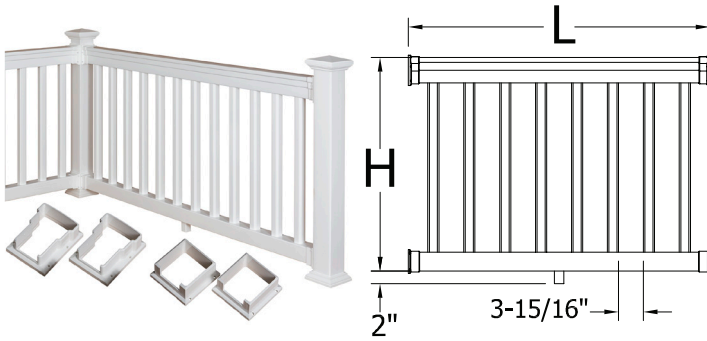
Item #	Description
████████	ALUMINUM BLACK
912-B	BINDER BOLT - BLACK

PVC RAILING SYSTEMS

By using high-quality materials put through an advanced extrusion manufacturing process, our PVC railing offers superior durability and longevity, while still keeping the meticulous aesthetic of wooden railings. The result is a railing system that is robust, economical and low maintenance with an unbelievably exquisite finish. Unlike wood, PVC won't fade, crack, splinter or peel. Form and function make these railings a safe and dependable choice for your deck and porch, adding an elegant character that complements your classic architecture.

3250-FLU RAILINGS KIT

Sold in boxed kits. Includes top and bottom rails, top and bottom brackets, kicker picket, 1.75" fluted pickets, and screws.



Item #	Description	Pickets	Len	H
36"				
80-3250/FLU/36/4	RAILINGS KIT - 3.25" TOP RAIL	1.75 Inch Fluted	4FT	36"
80-3250/FLU/36/10	RAILINGS KIT - 3.25" TOP RAIL	1.75 Inch Fluted	10FT	36"
80-3250/FLU/36/6	RAILINGS KIT - 3.25" TOP RAIL	1.75 Inch Fluted	6FT	36"
80-3250/FLU/36/8	RAILINGS KIT - 3.25" TOP RAIL	1.75 Inch Fluted	8FT	36"
42"				
80-3250/FLU/42/10	RAILINGS KIT - 3.25" TOP RAIL	1.75 Inch Fluted	10FT	42"
80-3250/FLU/42/6	RAILINGS KIT - 3.25" TOP RAIL	1.75 Inch Fluted	6FT	42"
80-3250/FLU/42/8	RAILINGS KIT - 3.25" TOP RAIL	1.75 Inch Fluted	8FT	36"

3250TNH 3.25" TOP RAIL

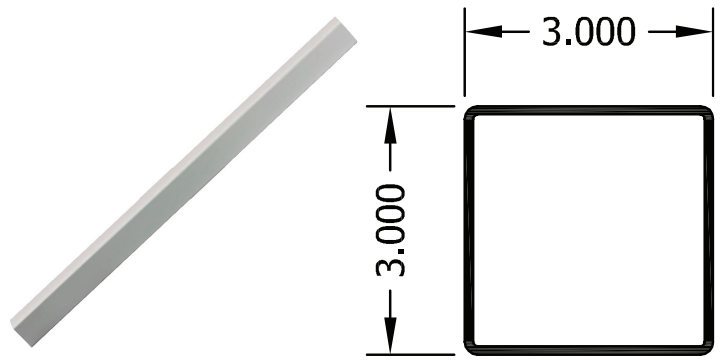
Without holes for pickets.



Item #	Description	Length
WHITE PVC		
80-3250TNH/8	3.25" Top Rail Only Without Picket Holes	8'

3250BNH 3" BOTTOM RAIL

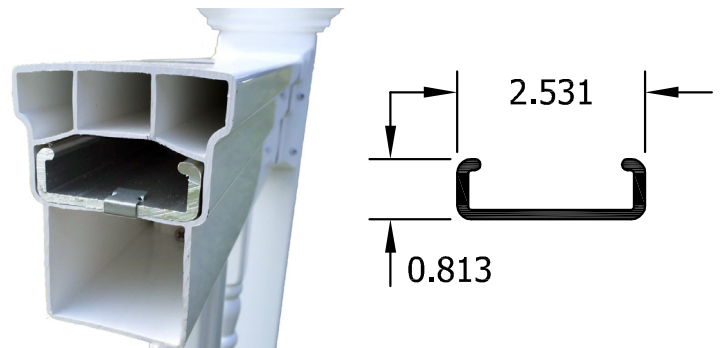
Without holes for pickets.



Item #	Description	Length
8FT		
80-3250BNH/8	3" Bottom Rail Without Holes	8'

3250TNH-INS ALUMINUM INSERT

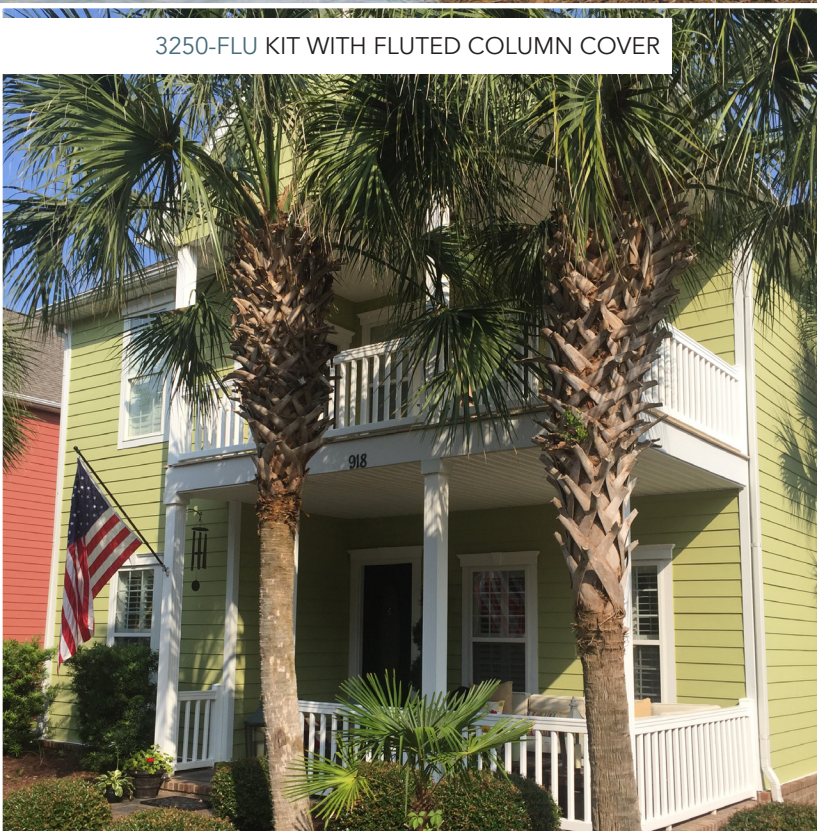
For 3.25" Top rail 3250TNH.



Item #	Description	Length
ALUMINUM MILL FINISH		
51-3250TNH-INS/8	ALUMINUM INSERT FOR TOP RAIL	8FT



552 PLANTATION-STYLE KIT



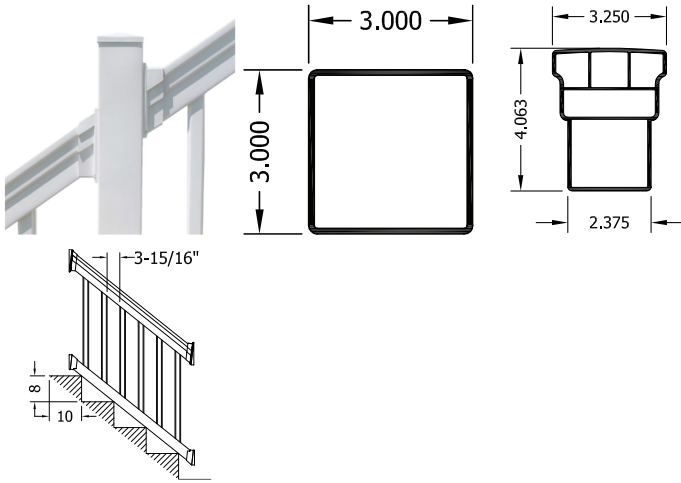
3250-FLU KIT WITH FLUTED COLUMN COVER



3250S-FLU RAILING KIT

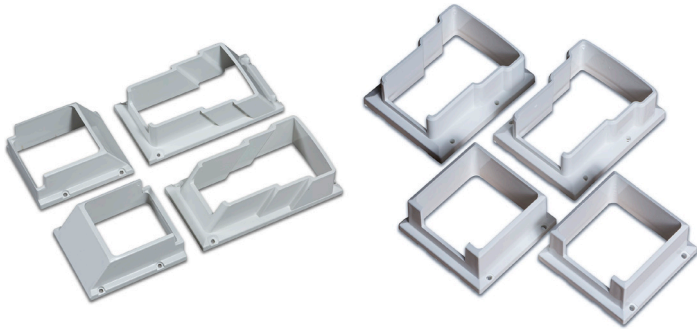
3250S-FLU STAIR RAILINGS KIT

Sold in boxed kits. Includes top and bottom rails, top and bottom brackets, kicker picket, 1.75" fluted pickets, and screws. Top and bottom rail angle is 32.5 degrees.



Item #	Description	Height	Length
1.75 INCH FLUTED			
80-3250S/FLU/36/4	STAIR RAILINGS KIT - 3.25" TOP RAIL	36"	4FT
80-3250S/FLU/36/6	STAIR RAILINGS KIT - 3.25" TOP RAIL	36"	6FT
80-3250S/FLU/36/8	STAIR RAILINGS KIT - 3.25" TOP RAIL	36"	8FT
80-3250S/FLU/42/6	STAIR RAILINGS KIT - 3.25" TOP RAIL	42"	6FT
80-3250S/FLU/42/8	STAIR RAILINGS KIT - 3.25" TOP RAIL	42"	8FT

301/KIT 3250 SERIES BRACKET KIT



Item #	Description
LEVEL	
80-301/KIT	3250 Series Bracket Kit (2xUpper and 2xLower). Total 4 Brackets.
STAIR	
80-301S/KIT	3250 Series Bracket Kit For Stair (2xUpper and 2xLower). Total 4 Brackets.

302S/KIT SPACER ADAPTER KIT FOR STAIRS (4PCS KIT)



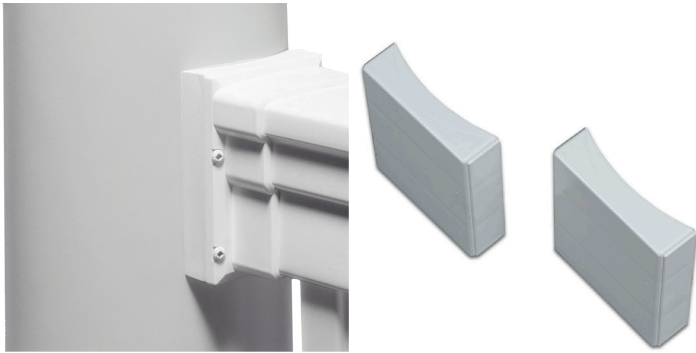
Item #	Description	Angle
PLASTIC		
80-302S-385/KIT	Spacer Adapter Kit for Stairs Angle-38.5 ° (4pcs Kit)	38.5 °

345/KIT 3250 SERIES ANGLE BRACKET ADAPTER KIT



Item #	Description	Angle	Color
LEVEL			
80-345-22/KIT-WH	3250 Series 22.5 ° Degree Angle Bracket Kit Position Level (4 Bracket Adaptors)	22.5 °	White
80-345-45/KIT-WH	3250 Series 45 ° Degree Angle Bracket Kit Position Level (4 Bracket Adaptors)	45 °	White

301R 3250 SERIES ROUND COLUMN ADAPTER KIT



Item #	Description	Size
WHITE		
80-301R/6/KIT	3250 Series Round to Square Column Adapter Kit	6"
80-301R/8/KIT	3250 Series Round to Square Column Adapter Kit	8"
80-301R/10/KIT	3250 Series Round to Square Column Adapter Kit	10"

301KP KICKER PICKET



Item #	Description
WHITE	
80-301KP/WH	KICKER PICKET

550M INSERT SURFACE MOUNT KIT FOR 4"X4" POST SLEEVES



Item #	Description	Height
ALUMINUM MILL FINISH		
51-550M/36	Aluminum Surface Mount Kit for 4"x4" Post Sleeves	38"
51-550M/48	Aluminum Surface Mount Kit for 4"x4" Post Sleeves	44"

550 POST SLEEVE



Item #	Description	Color	Size	I.D.	O.D.
38"					
80-550/06/38	POST SLEEVE	White	6"x6"	5-3/4"	6"
80-550/38	POST SLEEVE	White	4"x4"	3-3/4"	4"
48"					
80-550/48	POST SLEEVE	White	4"x4"	3-3/4"	4"
80-550/06/48	POST SLEEVE	White	6"x6"	5-3/4"	6"

560C POST CLAD KIT

Four separate pieces snap together to cover all sides of a post and are connected at the top and bottom.



Item #	Description	Post Surface	Height
4"X4"			
80-560C/10	FLUTED POST CLAD KIT	Fluted	10 FT
80-560C/8.5	FLUTED POST CLAD KIT	Fluted	8.5 FT
6"X6"			
80-560C/06/10	FLUTED POST CLAD KIT	Fluted	10 FT
80-560C/06/8.5	FLUTED POST CLAD KIT	Fluted	8.5 FT

552 PLANTATION STYLE PORCH POST



Item #	Description
108"	
80-552/108	5" X 5" X 108" Plantation Porch Post (9FT)

603 POST CAP



Item #	Description	Size	I.D.	O.D.
NEWENGLAND				
80-603NE	4" New England Post Cap	4"x4"	4 1/16"	6 1/8"
80-603NE/06	6" New England Post Cap	6"x6"	6 1/16"	8 1/8"

603C POST CAP FOR CLAD POSTS



Item #	Description	Post Cap Design	I.D.	O.D.
4"X4"				
80-603C	Post Cap for 4" X 4" Clad Posts	Standard	4 1/16"	5"
6"X6"				
80-603C/06	Post Cap for 6" X 6" Clad Posts	Standard	6 1/16"	7"

503 POST TRIM



Item #	Description	Post Cap Design	Color
4"X4"			
80-503NE	4" New England Post Trim in White	NewEngland	White
6"X6"			
80-503NE/06	6" New England Post Trim in White	NewEngland	White
80-503/06	6" Standard Post Trim in White	Standard	White

503CA SNAP-IN BASE CLAD KIT



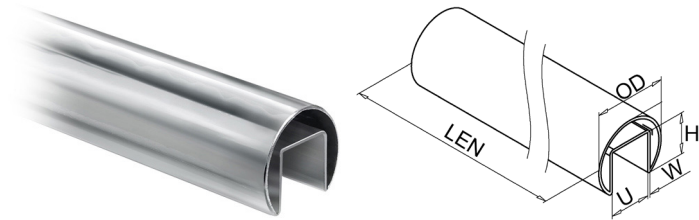
Item #	Description	Color
4"X4"		
80-503CA	Snap-In Base Clad Kit for 4"x4" Post	White
6"X6"		
80-503CA/06	Snap-In Base Clad Kit for 6"x6" Post	White

CHANNEL TUBING FITTINGS

Structural glass railing is the latest premium design system that provides unobstructed views with a clear difference – a frameless and seamless glass front. This railing system is reinforced at the bottom with a heavy-duty aluminum channel system. Our channel tube and aluminum base system comes with a complete selection of 316 grade stainless steel cap rail and fittings, rubber gaskets to connect to the glass, and adhesive to secure the fittings to the tube.

A114U 1.67" OD X 0.06" CHANNEL

Channel tube that fits with our selection of flush fittings. Use with insert for channel tubing item CTI.



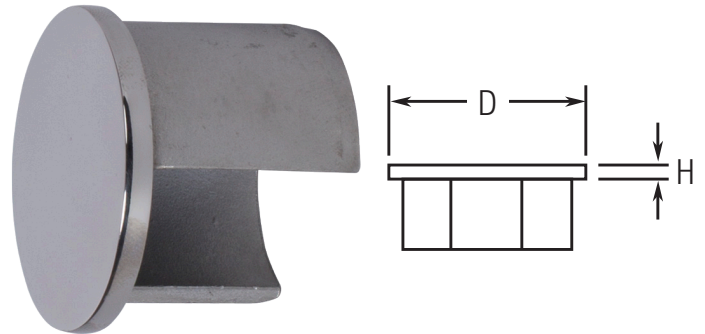
Item #	Description	Tubing Size	O.D.	Wall	Len	H	U
SATIN STAINLESS STEEL 304							
44-A114U	1.67" OD Channel Tubing (42.4mm)	1.67" OD	1.67"	.06"	16 FT	.94"	.94"
POLISHED STAINLESS STEEL 316							
47-A114U	1.67" OD Channel Tubing (42.4mm)	1.67" OD	1.67"	.06"	16 FT	.94"	.94"
SATIN STAINLESS STEEL 316							
49-A114U	1.67" OD Channel Tubing (42.4mm)	1.67" OD	1.67"	.06"	16 FT	.94"	.94"

CTI INSERT FOR CHANNEL TUBING



Item #	Description	Glass Thickness
RUBBER		
85-CTI1002	Rubber Channel Tube Insert	1/2"
85-CTI1003	Rubber Channel Tube Insert	3/4"

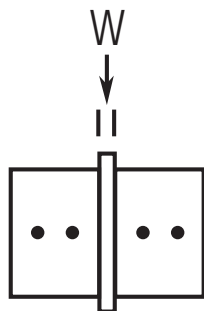
640 FLUSH END CAP CHANNEL TUBE



Item #	Description	Tubing Size	D	H
POLISHED BRASS				
00-640U/1H	For 1-1/2" OD x 0.06" Wall Tubing	1-1/2" OD	1-1/2"	1/8"
POLISHED STAINLESS STEEL 316				
47-640/424	For 1.67" OD x 0.06" Wall Channel Tubing	1.67" OD	1.67"	1/8"
SATIN STAINLESS STEEL 316				
49-640/424	For 1.67" OD x 0.06" Wall Channel Tubing	1.67" OD	1.67"	1/8"

830U SPLICE FOR CHANNEL TUBE

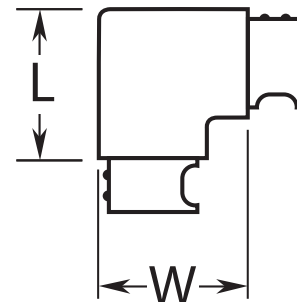
Use to connect the ends of two separate round channel tubes. Use with 47-A114U or 49-A114U.



Item #	Description	Tubing Size	Wall	W
POLISHED STAINLESS STEEL 316				
47-830U/424	For Tube 1.67" (42.4mm) x 0.06"	1.67" OD	0.06"	0.24"
SATIN STAINLESS STEEL 316				
49-830U/424	For Tube 1.67" (42.4mm) x 0.06"	1.67" OD	0.06"	0.24"

732UV FLUSH ELL - CHANNEL TUBE

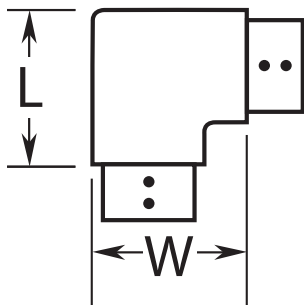
Connect channel tube A114U vertically.



Item #	Description	Tubing Size	L	W
POLISHED STAINLESS STEEL 316				
47-732UV/424	Vertical for 1.67" OD (42.4mm) x 0.06" Wall Tubing	1.67" OD	1.97"	1.97"
SATIN STAINLESS STEEL 316				
49-732UV/424	Vertical for 1.67" OD (42.4mm) x 0.06" Wall Tubing	1.67" OD	1.97"	1.97"

732UH FLUSH ELL - CHANNEL TUBE

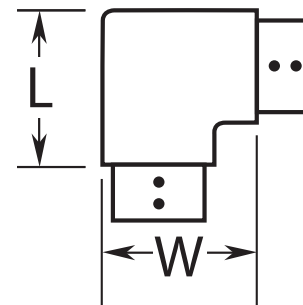
Connect channel tube A114U horizontally.



Item #	Description	Tubing Size	L	W
POLISHED STAINLESS STEEL 316				
47-732UH/424	Horizontal for 1.67" OD (42.4mm) x 0.06" Wall Tubing	1.67" OD	2.03"	2.03"
SATIN STAINLESS STEEL 316				
49-732UH/424	Horizontal for 1.67" OD (42.4mm) x 0.06" Wall Tubing	1.67" OD	2.03"	2.03"

732C FLUSH ELL

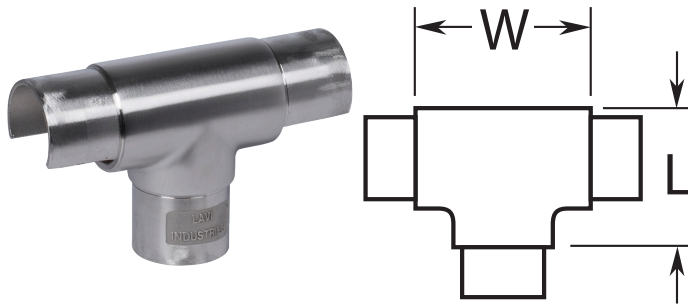
Connect one channel tube A114U horizontally and a round tube A114 vertically.



Item #	Description	Tubing Size	W	L
POLISHED STAINLESS STEEL 316				
47-732C/424	For 1.67" (42.4mm) Channel to 1.67" Round Tubing	1.67" OD	2"	2"
SATIN STAINLESS STEEL 316				
49-732C/424	For 1.67" (42.4mm) Channel to 1.67" Round Tubing	1.67" OD	2"	2"

734C FLUSH TEE

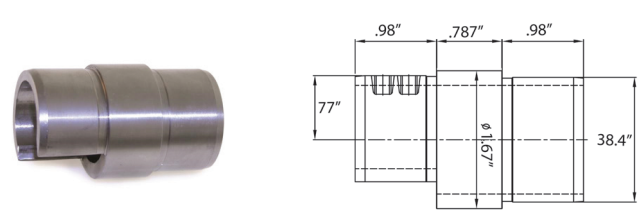
Connect two channel tubes A114U horizontally and a round tube A114 vertically.



Item #	Description	Tubing Size	W	L
POLISHED STAINLESS STEEL 316				
47-734C/424	For 1.67" (42.4mm) Channel to 1.67" Round Tubing	1.67" OD	3-7/16"	2-9/16"
SATIN STAINLESS STEEL 316				
49-734C/424	For 1.67" (42.4mm) Channel to 1.67" Round Tubing	1.67" OD	3-7/16"	2-9/16"

E1200A SPLICE CHANNEL-ROUND

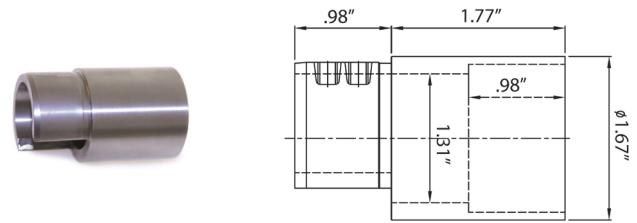
Splice connecting A114U channel tube to A114 round tube.



Item #	Description	Tubing Size
SATIN STAINLESS STEEL 316		
E1200120	For 1.67" OD (42.4mm) Channel and Round Tube	1.67" OD

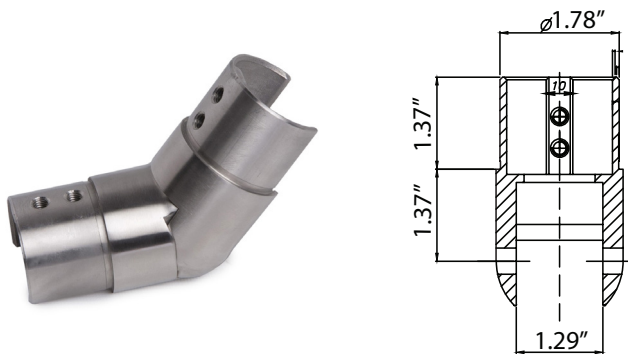
E1200B SPLICE CHANNEL-FITTING

Splice connecting A114U channel tube to flush fittings for A114 (1.67" OD tubing).



Item #	Description	Tubing Size
SATIN STAINLESS STEEL 316		
E1200130	For 1.67" OD (42.4mm) Channel and Fittings for 1.67" OD Tubing	1.67" OD

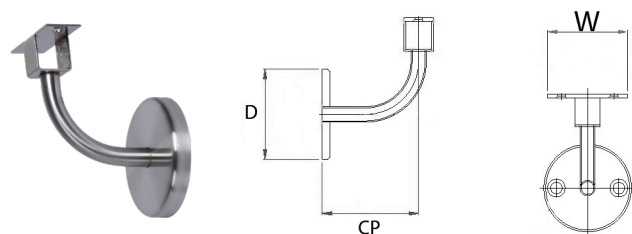
732ACU ADJ FLUSH ELL - UP



Item #	Description	Tubing Size
SATIN STAINLESS STEEL 316		
49-732ACU/424	For 1.67" OD (42.4mm) x 0.06" Wall Channel Tubing	1.67" OD

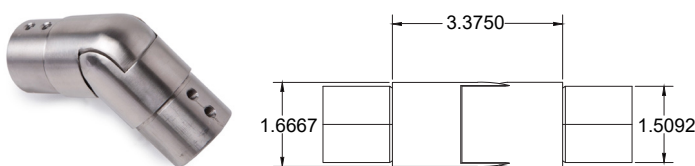
E1530 HANDRAIL BRACKET - LED

Designed for use with Channel Tube item A114U and to allow an LED lighting strip to pass through.



Item #	Description	Tubing Size	CP	D	W
SATIN STAINLESS STEEL 316					
E1530100	For 1.67" (42.4mm) Round Channel Tubing	1.67" OD	3"	2.75"	2.52"

732ACD ADJ FLUSH ELL - DOWN



Item #	Description	Tubing Size
SATIN STAINLESS STEEL 316		
49-732ACD/424	For 1.67" OD (42.4mm) x 0.06" Wall Channel Tubing	1.67" OD

E1540 SADDLE FOR CHANNEL TUBE

Designed for use with Channel Tube item A114U and to allow an LED lighting strip to pass through.



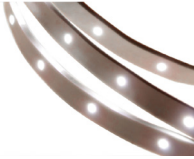
Item #	Description	Tubing Size	Wall
SATIN STAINLESS STEEL 316			
E1540100	For 1.67" (42.4mm) Round Channel Tubing	1.67" OD	0.08"

LED RAILING

You can now combine the sublime beauty of stainless steel railings with the sophistication of ultramodern LED lighting to create a modernistic atmosphere. LED railings provide functional illumination that offers both futuristic ambiance and practical safety. Our LED railing components are designed for simple, quick installation into channel tube, creating a clean and concealed lighting solution. LED lighting offers high lighting intensity, high service life, low power consumption and full-length coverage. This configuration is ultra-bright and virtually indestructible, making it great for accenting both indoor and outdoor railing applications. Use in any scenario – from lighting stairs at train stations, walk bridges and stairways, to providing diffused illumination in theaters or stair railings at hotel entrances.

ELEDG0001 LED LIGHT STRIP

Insert in channel tube A114U together with ELED04.



Item #	Description
ELED0001	LED Light Strip - White

LED RAILING SYSTEM



ELED02 LED POWER SUPPLY



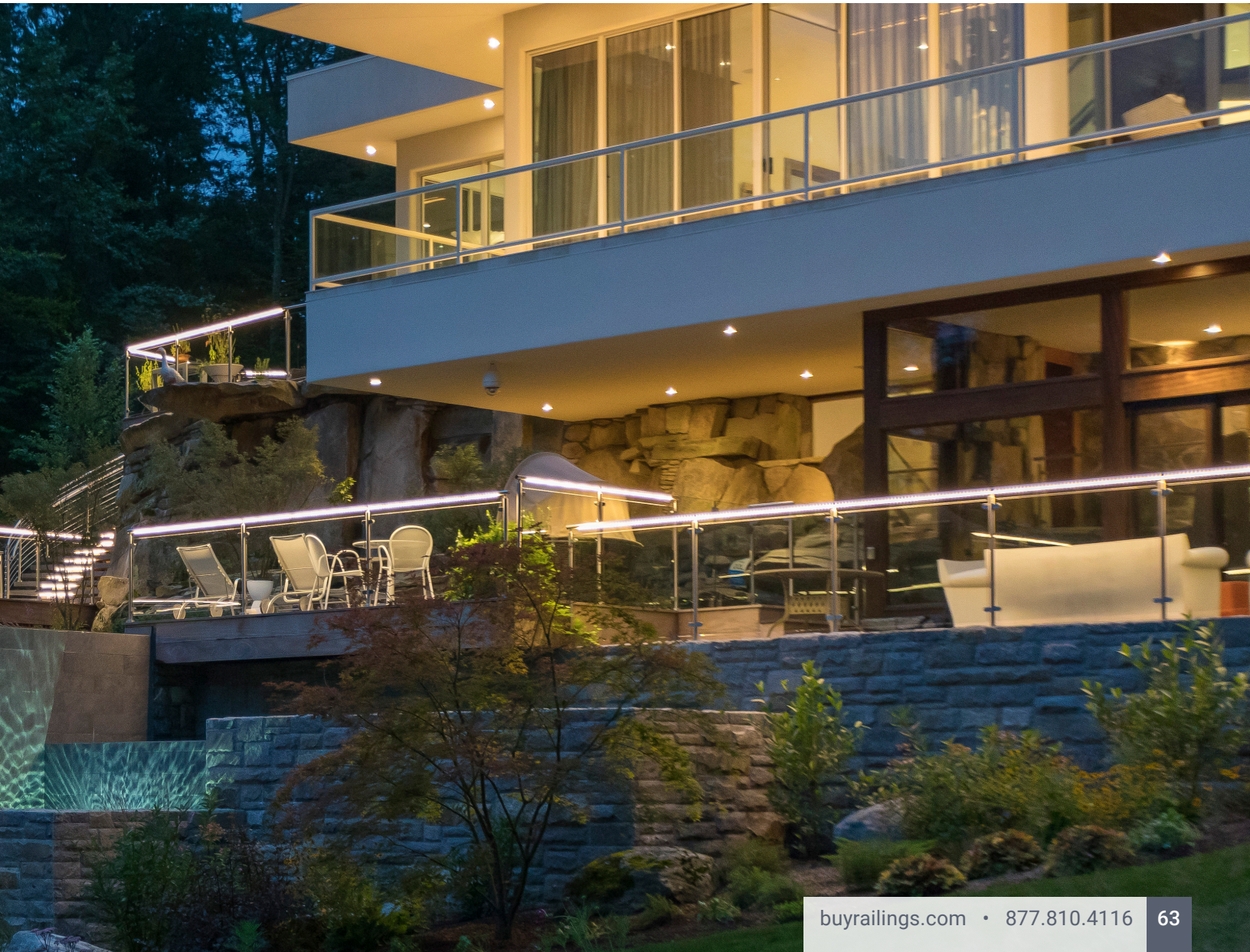
Item #	Description
18W	
ELED0130	200-240VAC ONLY LED Power Supply - 18 Watt - powers max 12 feet of LED Strip
35W	
ELED0120	LED Power Supply - 35 Watts - powers max 27 feet of LED Strip
60W	
ELED0110	LED Power Supply - 60 Watts - powers max 49 feet of LED Strip
100W	
ELED0100	LED Power Supply - 100 Watts - powers max 82 feet of LED Strip

ELED03 POWER CONNECTOR

Use this connector with LED Power Supply and LED Light Strip.

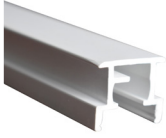


Item #	Description
PLASTIC	
ELED0002	LED Power Connector



ELED04 LED STRIP HOLDER

Insert in the channel of round channel tube A114U.



Item #	Description
ELED0014	LED Strip Holder - 78-3/4 Inches (6-1/2 FT) Long

ELED05 SPLICE

Use to connect two LED light strips.



Item #	Description
ELED0003	LED Splice

ELED01 DECORATIVE TUBE COVER

Available in standard lengths of 78-1/2" (200mm).



Item #	Description
ELED0012	Decorative Cover for Tube - White Plastic

ELED 90 DEGREE SPLICE

Use to connect two LED light strips at 90 degrees.



Item #	Description
ELED0009	LED 90 Degree Splice

ELED06 FLEXIBLE SPLICE

Use to connect two LED light strips.



Item #	Description
ELED0004	LED Angle Splice

ELED08 LED STRIP END CAP

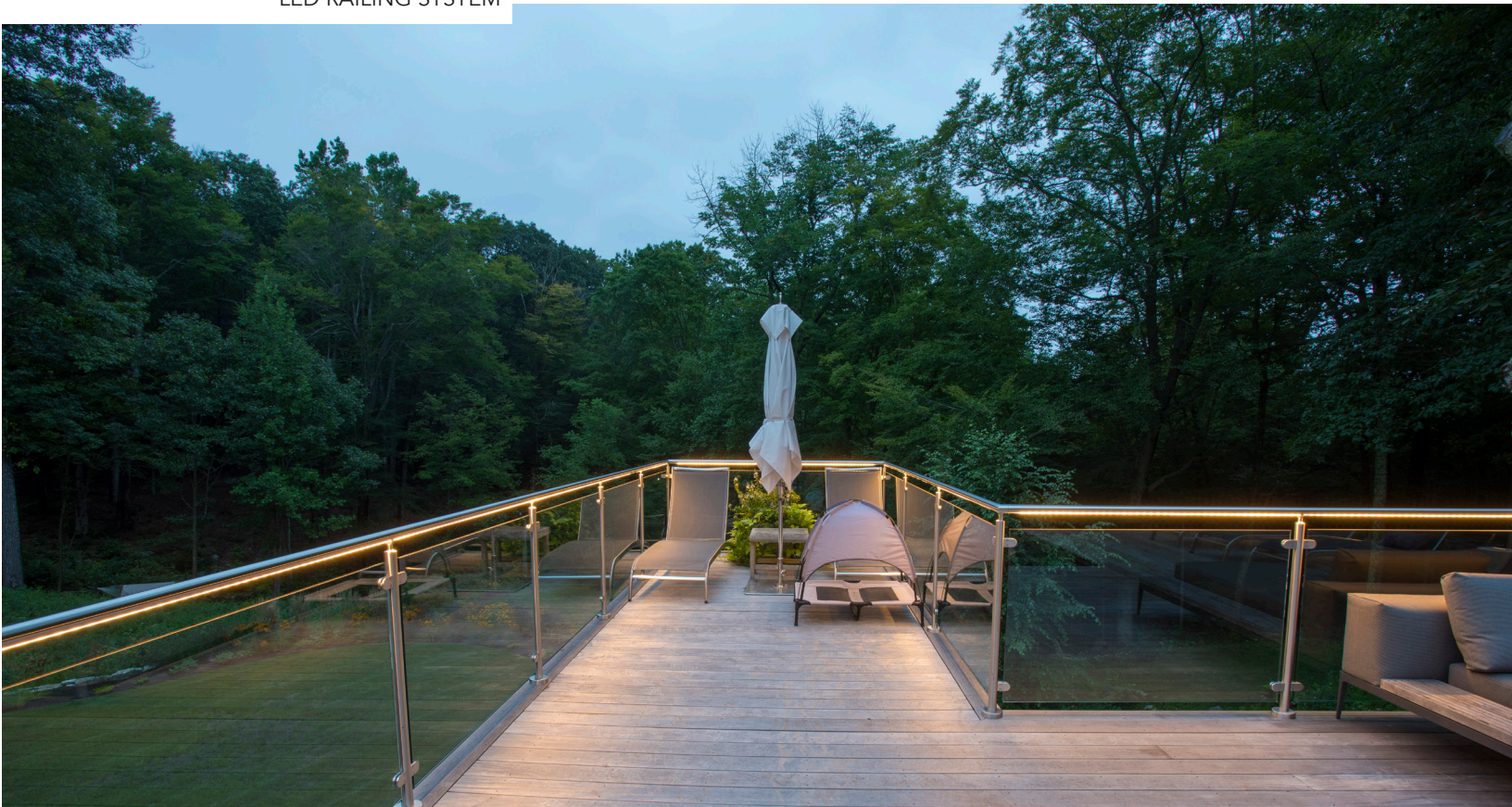
Use to cap off the cut end of an LED light strip.



Item #	Description
ELED0005	LED Strip End Cap Finish-Plastic



LED RAILING SYSTEM



E1999 DOUBLE SIDED TAPE

Use to connect ELED04 to A114U.



Item #	Description
PLASTIC	
E1999892	Double Sided Tape - 108FT Roll

SL01 SOLAR LED ACCENT LIGHT

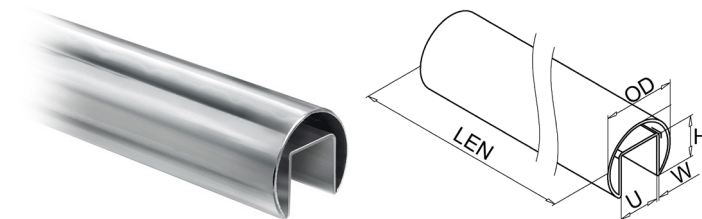
Ideal for mounting onto a square post to add localized lighting to a railing, pathway, and the exterior of a building.



Item #	Description
STAINLESS STEEL 316 POWDER COATED BLACK	
49BK-SL01	Mount on Flat Surfaces
SATIN STAINLESS STEEL 316	
49-SL01	Mount on Flat Surfaces

A114U 1.67"OD X 0.06" CHANNEL

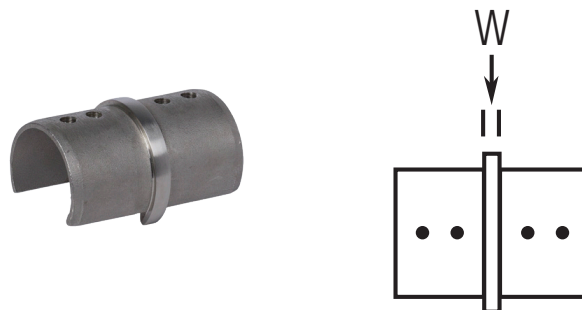
Channel tube that fits with our selection of flush fittings. Use with insert for channel tubing item CTI.



Item #	Description	Tubing Size	O.D.	Wall	Len	H	U
SATIN STAINLESS STEEL 304							
44-A114U	1.67" OD Channel Tubing (42.4mm)	1.67" OD	1.67"	.06"	16 FT	.94"	.94"
POLISHED STAINLESS STEEL 316							
47-A114U	1.67" OD Channel Tubing (42.4mm)	1.67" OD	1.67"	.06"	16 FT	.94"	.94"
SATIN STAINLESS STEEL 316							
49-A114U	1.67" OD Channel Tubing (42.4mm)	1.67" OD	1.67"	.06"	16 FT	.94"	.94"

830U SPLICE FOR CHANNEL TUBE

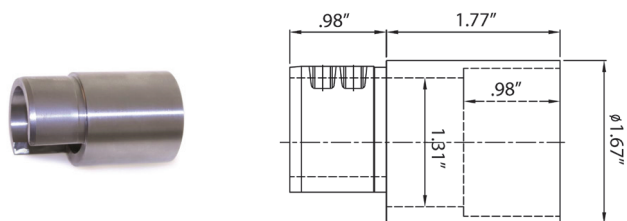
Use to connect the ends of two separate round channel tubes. Use with 47-A114U or 49-A114U.



Item #	Description	Tubing Size	Wall	W
POLISHED STAINLESS STEEL 316				
47-830U/424	For Tube 1.67" (42.4mm) x 0.06"	1.67" OD	0.06"	0.24"
SATIN STAINLESS STEEL 316				
49-830U/424	For Tube 1.67" (42.4mm) x 0.06"	1.67" OD	0.06"	0.24"

E1200B SPLICE CHANNEL-FITTING

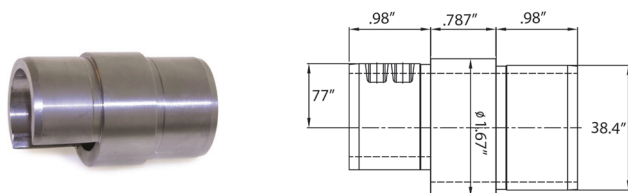
Splice connecting A114U channel tube to flush fittings for A114 (1.67" OD tubing).



Item #	Description	Tubing Size
SATIN STAINLESS STEEL 316		
E1200130	For 1.67" OD (42.4mm) Channel and Fittings for 1.67" OD Tubing	1.67" OD

E1200A SPLICE CHANNEL-ROUND

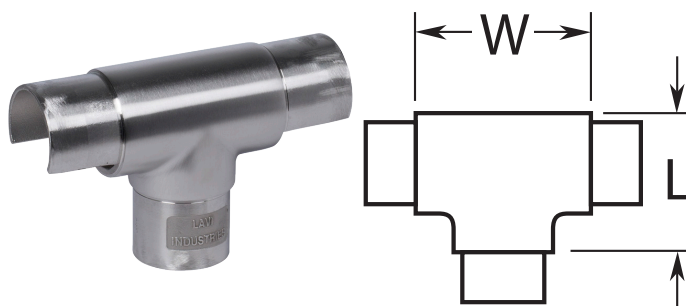
Splice connecting A114U channel tube to A114 round tube.



Item #	Description	Tubing Size
SATIN STAINLESS STEEL 316		
E1200120	For 1.67" OD (42.4mm) Channel and Round Tube	1.67" OD

734C FLUSH TEE

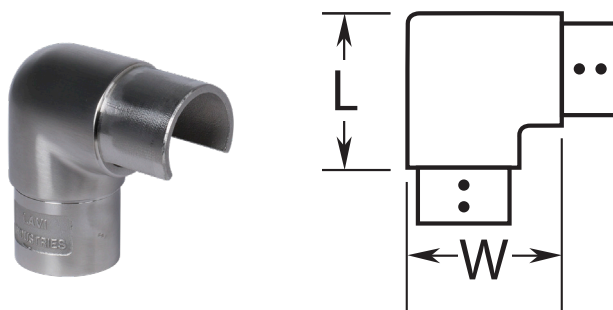
Connect two channel tubes A114U horizontally and a round tube A114 vertically.



Item #	Description	Tubing Size	W	L
POLISHED STAINLESS STEEL 316				
47-734C/424	For 1.67" (42.4mm) Channel to 1.67" Round Tubing	1.67" OD	3-7/16"	2-9/16"
SATIN STAINLESS STEEL 316				
49-734C/424	For 1.67" (42.4mm) Channel to 1.67" Round Tubing	1.67" OD	3-7/16"	2-9/16"

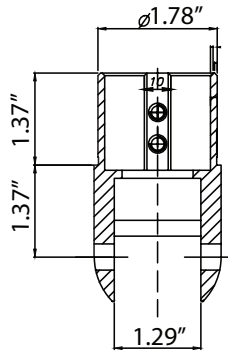
732C FLUSH ELL

Connect one channel tube A114U horizontally and a round tube A114 vertically.



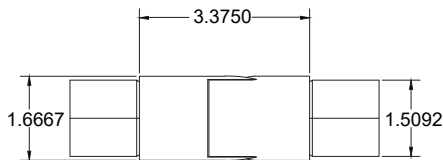
Item #	Description	Tubing Size	W	L
POLISHED STAINLESS STEEL 316				
47-732C/424	For 1.67" (42.4mm) Channel to 1.67" Round Tubing	1.67" OD	2"	2"
SATIN STAINLESS STEEL 316				
49-732C/424	For 1.67" (42.4mm) Channel to 1.67" Round Tubing	1.67" OD	2"	2"

732ACU ADJ FLUSH ELL - UP

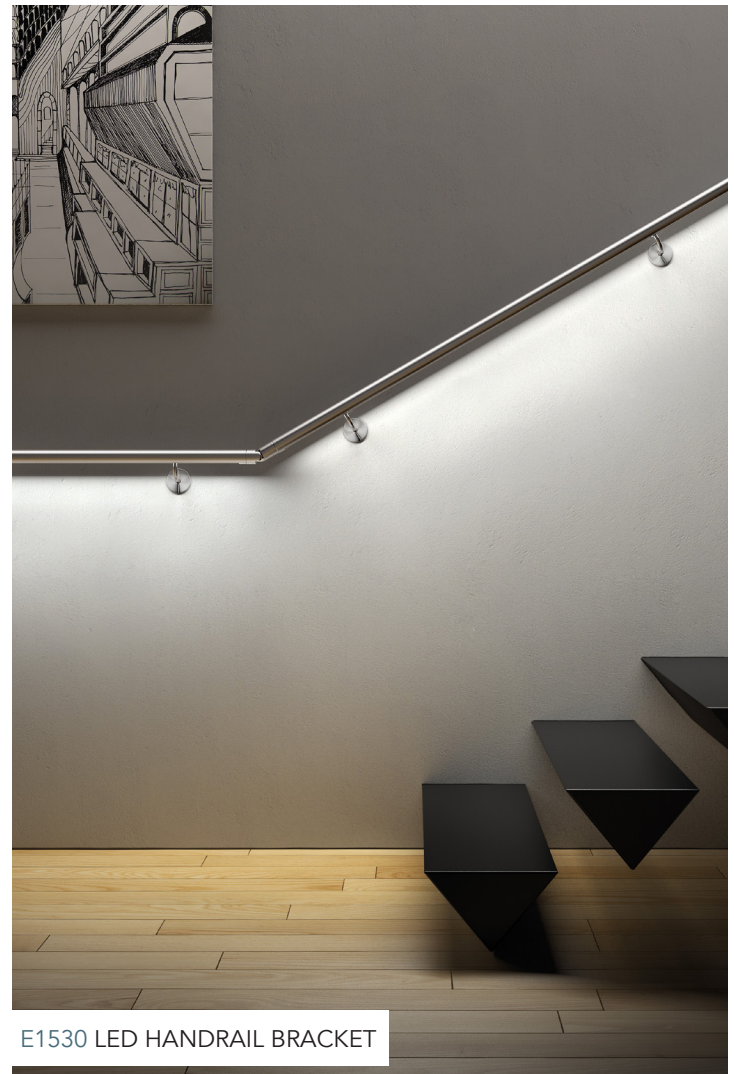


Item #	Description	Tubing Size
SATIN STAINLESS STEEL 316		
49-732ACU/424	For 1.67" OD (42.4mm) x 0.06" Wall Channel Tubing	1.67" OD

732ACD ADJ FLUSH ELL - DOWN



Item #	Description	Tubing Size
SATIN STAINLESS STEEL 316		
49-732ACD/424	For 1.67" OD (42.4mm) x 0.06" Wall Channel Tubing	1.67" OD

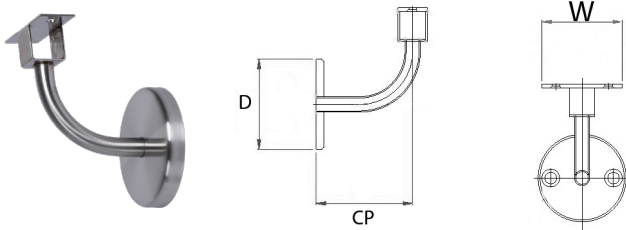


E1530 LED HANDRAIL BRACKET

E1540 SADDLE FOR CHANNEL TUBE

E1530 HANDRAIL BRACKET - LED

Designed for use with Channel Tube item A114U and to allow an LED lighting strip to pass through.



Item #	Description	Tubing Size	CP	D	W
SATIN STAINLESS STEEL 316					
E1530100	For 1.67" (42.4mm) Round Channel Tubing	1.67" OD	3"	2.75"	2.52"



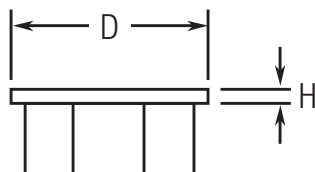
E1540 SADDLE FOR CHANNEL TUBE

Designed for use with Channel Tube item A114U and to allow an LED lighting strip to pass through.



Item #	Description	Tubing Size	Wall
SATIN STAINLESS STEEL 316			
E1540100	For 1.67" (42.4mm) Round Channel Tubing	1.67" OD	0.08"

640 FLUSH END CAP CHANNEL TUBE



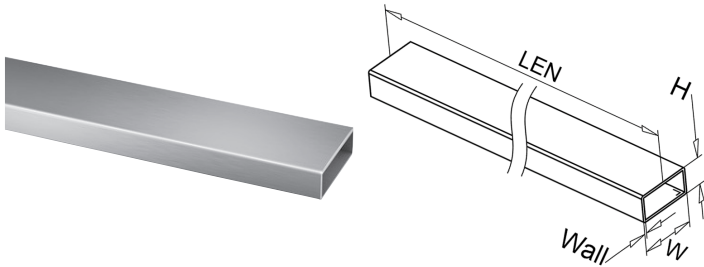
Item #	Description	Tubing Size	D	H
POLISHED BRASS				
00-640U/1H	For 1-1/2" OD x 0.06" Wall Tubing	1-1/2" OD	1-1/2"	1/8"
POLISHED STAINLESS STEEL 316				
47-640/424	For 1.67" OD x 0.06" Wall Channel Tubing	1.67" OD	1.67"	1/8"
SATIN STAINLESS STEEL 316				
49-640/424	For 1.67" OD x 0.06" Wall Channel Tubing	1.67" OD	1.67"	1/8"

RECTANGULAR LINE

Straight lines and flat rectangular shapes. Clean and simple design pared down to a minimum. The combined result of these is a stunning modular baluster railing system that stretches your imagination towards new possibilities. All it takes is choosing the right fittings and connectors to transform your railings into a spectacular architectural masterpiece – without welding! – just drill, glue and tap. Designer looks and functionality are crafted into high quality stainless steel components with a brushed satin finish.

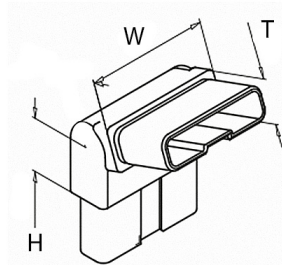
RL4900 2.36" RECTANGULAR TUBE

Rectangular tube that fits with our selection of matching fittings.



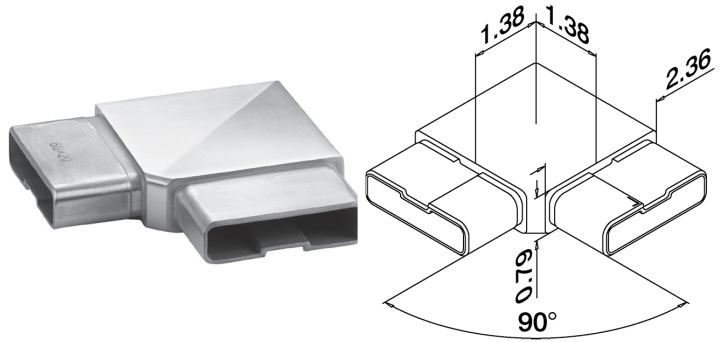
Item #	Description	Tubing Size	Wall	Len	W	H
SATIN STAINLESS STEEL 316						
49-RL4920/6020	60 x 20 x 2.0mm	2.36" x 0.78"	0.08"	16 FT	2.36"	0.78"
49-RL4926/6030	60 x 30 x 2.6mm	2.36" x 1.18"	0.10"	16 FT	2.36"	1.18"

RL4312 ADJ ELL FOR RECTANGULAR



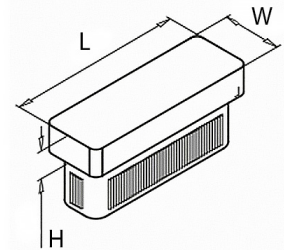
Item #	Description	Tubing Size	W	H	T
SATIN STAINLESS STEEL 316					
49-RL4312/6020	For 2.36" x 0.78" (60x20x2.0mm) Tubing	2.36" x 0.78"	2.36"	1.02"	.78"

RL4301 FLUSH 90 DEGREE ELL



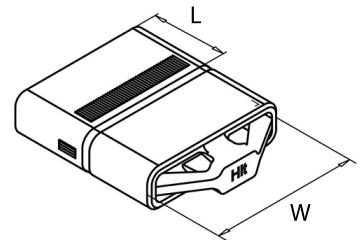
Item #	Description	Tubing Size	L	W	T
SATIN STAINLESS STEEL 316					
49-RL4301/6020	For 2.36" x 0.78" (60x20x2.0mm) Tubing	2.36" x 0.78"	1.38"	2.36"	.79"

RL5727 FLUSH END CAP



Item #	Description	Tubing Size	L	W	H
SATIN STAINLESS STEEL 316					
49-RL5727/6020	For 2.36" x 0.78" (60x20x2.0mm) Tubing	2.36" x 0.78"	2.36"	1.18"	.39"
49-RL5728/6030	For 2.36" x 1.18" (60x30x2.6mm) Tubing	2.36" x 1.18"	2.36"	1.18"	.39"

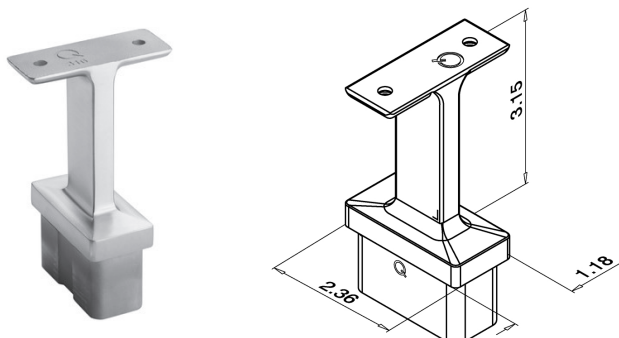
RL5792 SPLICE RECTANGULAR TUBE



Item #	Description	Tubing Size	W	L
SATIN STAINLESS STEEL 316				
49-RL5792/6020	For 2.36" x 0.78" (60x20x2.0mm) Tubing	2.36" x 0.78"	2.2"	1.18"

RL4711F SDL RECTANGULAR TUBE

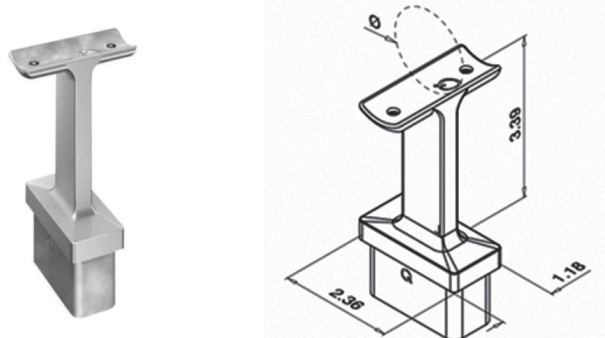
Fixed Saddle. For rectangular posts with flat handrail.



Item #	Description	Tubing Size
SATIN STAINLESS STEEL 316		
49-RL4711F/6030	For 2.36" x 1.18" (60x30x2.6mm) Tubing	2.36" x 1.18"

RL4711R TALL HANDRAIL SADDLE

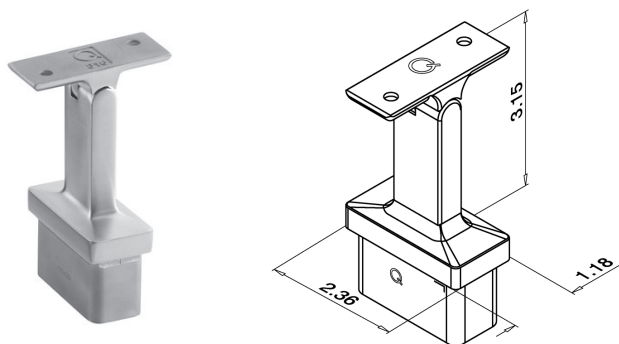
Fixed Saddle. For rectangular posts to round handrail.



Item #	Description	Tubing Size	Wall
SATIN STAINLESS STEEL 316			
49-RL4711R/6030	For 2.36" x 1.18" (60x30x2.6mm) Posts and 1.5" Handrail	2.36" x 1.18"	0.10"

RL4719F TALL HANDRAIL SADDLE

Adjustable Saddle. For rectangular posts and flat handrail.



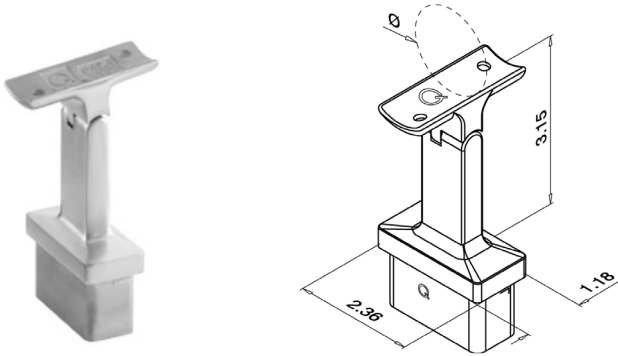
Item #	Description	Tubing Size	Wall
SATIN STAINLESS STEEL 316			
49-RL4719F/6030	For Rectangular Post to Flat Handrail	2.36" x 1.18"	0.10"

RL4711R RECTANGULAR LINE SADDLE



RL4719R TALL HANDRAIL SADDLE

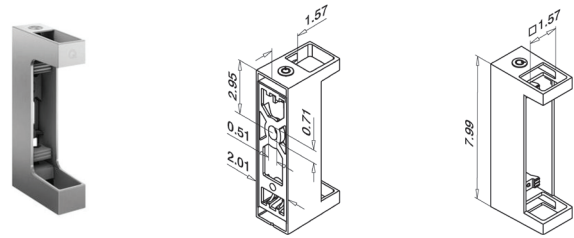
Adjustable saddle. For rectangular posts to round handrail.



Item #	Description	Tubing Size	Wall
49-RL4719R/6030	For 2.36" x 1.18" Posts and 1.5" Handrail	2.36" x 1.18"	0.10"

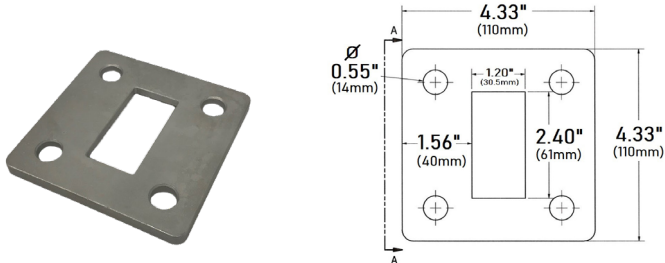
RL4558 FASCIA MOUNT BRACKET

Use to support rectangular tube 49-RL4926/6030.



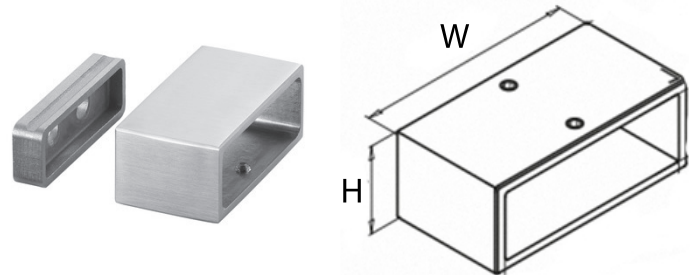
Item #	Description	Tubing Size
49-RL4558/6030	For 2.36" x 1.18" (60x30x2.6mm) Tubing	2.36" X 1.18"

594 WELDING FLANGE FOR RECTANGULAR TUBING



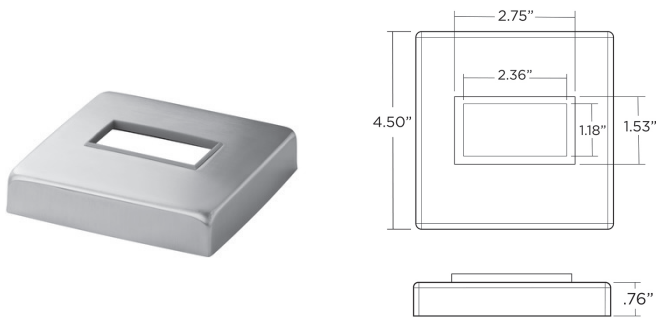
Item #	Description	Tubing Size
49-594/6030	For 2.36" x 1.18" (60x30mm) Rectangular Tubing	2.36" x 1.18"

RL4504 WALL FLANGE



Item #	Description	Tubing Size	W	H
49-RL4504/6020	For 2.36" x 0.78" (60x20mm) Tubing	2.36" x 0.78"	2.36"	.78"

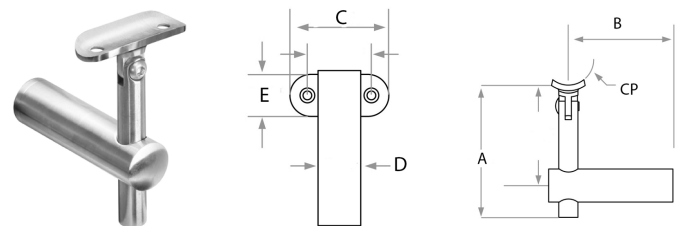
RL4513 RECT FLANGE CANOPY



Item #	Description	Tubing Size
49-RL4513/6030	For Rectangular Floor Flange	2.36" x 1.18"

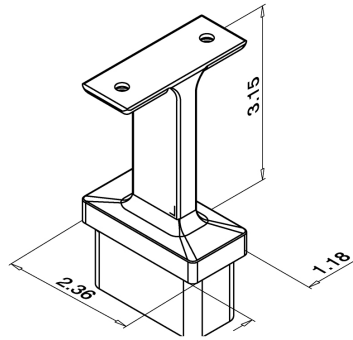
309PF FLAT POST MOUNT BRACKET

Handrail mounting screws QS-113 sold separately.



Item #	Description	Tubing Size	CP	A	B	C	D	E
49-309PF/1H	For Square Posts and 1-1/2" Round Handrail	1-1/2" OD	1.5"	3.937"	3.150"	2.362"	.984"	.984"

352RLF RECTANGULAR LINE FIXED SADDLE



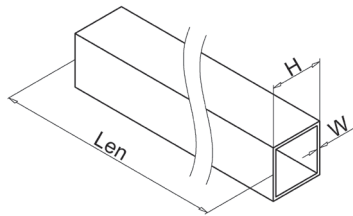
Item #	Description	Tubing Size
SATIN STAINLESS STEEL 316		
49-352RLF/6030	For 2.36"x1.18" Posts and Flat Handrail	2.36"x1.18"

SQUARE LINE

Square tube and fittings add a dimension and therefore options to stainless steel railing systems. This modular system available for 1.5", 1.57" and 2" square tube allows for solid railing installations as well as almost any other assembly you can think of. Easily combine round handrail with square posts. This selection of tube and fittings is available in outdoor grade stainless steel with a brushed finish. Welding is not required. Assemblies can be fastened with our Lido Weld metal adhesive.

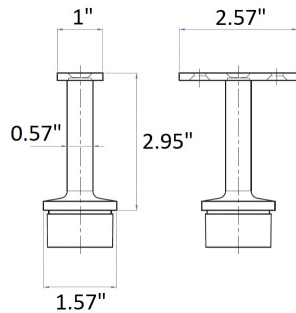
SL4900 1.57" X 0.08" SQUARE TUBE

Square tube that fits with our selection of matching fittings.

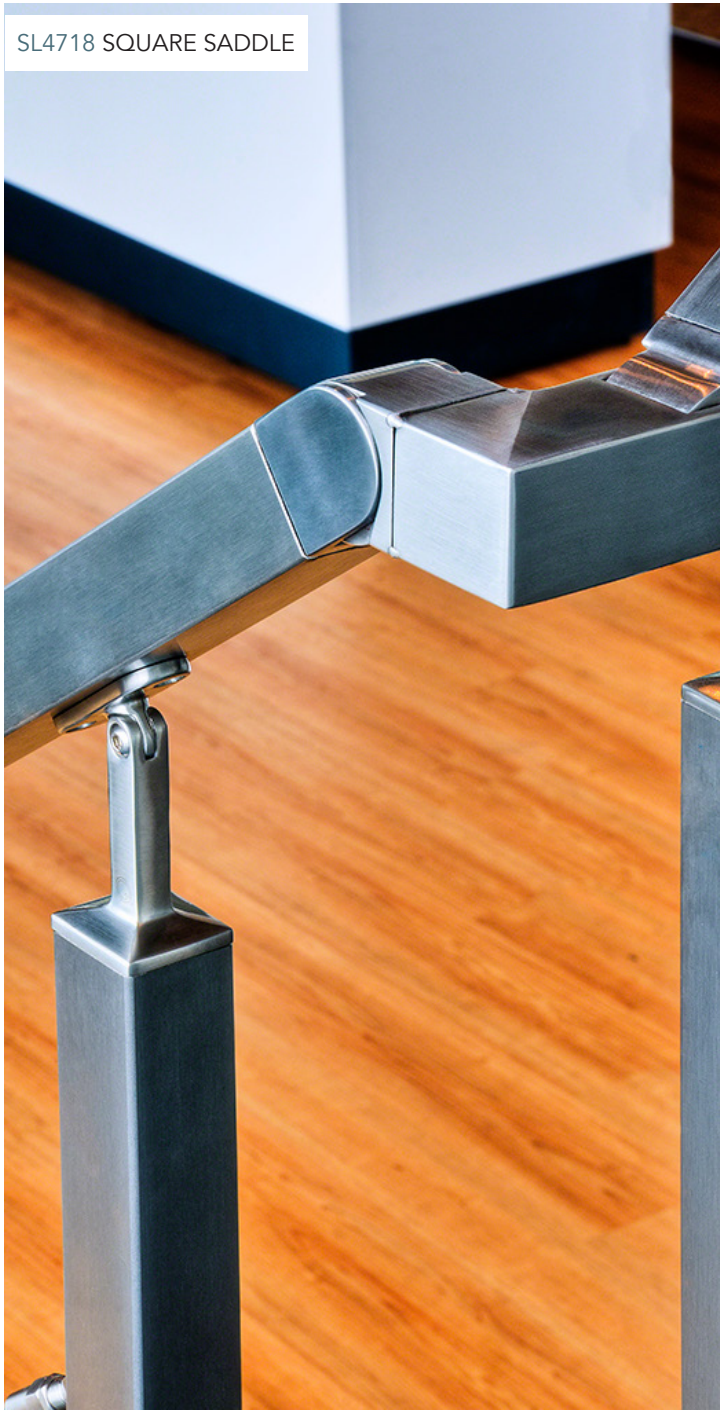


Item #	Description	Tubing Size	H	W	Len
SATIN STAINLESS STEEL 316					
49-4900/4040	1.57" Square Tubing (40mm)	1.57" x 1.57"	1.57"	0.08"	16 FT

352H-SQF TALL SADDLE FOR SQUARE

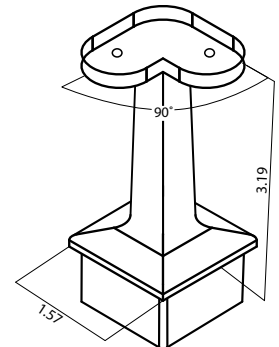


Item #	Description	Tubing Size	Position
SATIN STAINLESS STEEL 316			
49-352H-SQF/40	For 1.57" x 0.08" Wall	1.57" x 1.57"	Level
49-352H-ASQF/40	For 1.57" x 0.08" Wall	1.57" x 1.57"	Stair



SL47108 CORNER SDL SQUARE TUBE

Handrail mounting screws QS-113 sold separately.

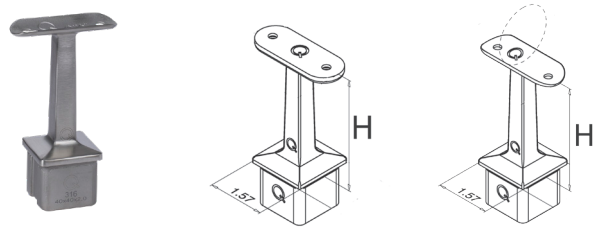


Item #	Description	Tubing Size	Wall	H
--------	-------------	-------------	------	---

SATIN STAINLESS STEEL 316
 49-47108/40 For 1.57" (40mm) x 0.08" Wall 1.57" x 1.57" 0.08" 3.19"

SL4710R SDL FOR SQUARE & ROUND

For square posts and round handrail.



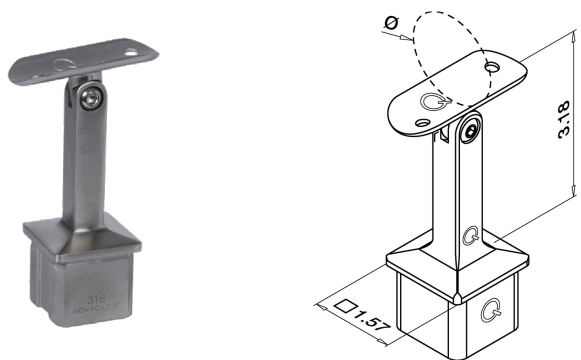
Item #	Description	Tubing Size	Wall	H
--------	-------------	-------------	------	---

SATIN STAINLESS STEEL 316

49-4710R/1H	For 1.57" (40mm) Post and 1-1/2" OD Handrail	1.57" x 1.57"	0.08"	3.19"
-------------	--	---------------	-------	-------

SL4718R SDL FOR SQUARE & ROUND

For square posts and round handrail.



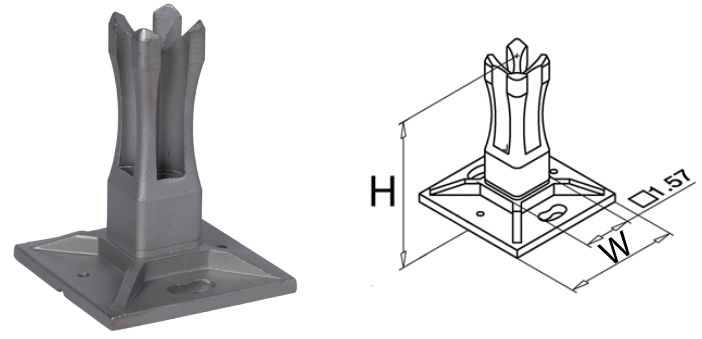
Item #	Description	Tubing Size	Wall	H
--------	-------------	-------------	------	---

SATIN STAINLESS STEEL 316

49-4718R/1H	For 1.57" (40mm) Post and 1-1/2" OD Handrail	1.57" x 1.57"	0.08"	3.19"
-------------	--	---------------	-------	-------

SL4942 SQUARE FLANGE & INSERT

Square Line Base plate glued upright. (2) QS-34 Bolts NOT INCLUDED must be purchased separately. Glue tube to flange with adhesive LB-00201.

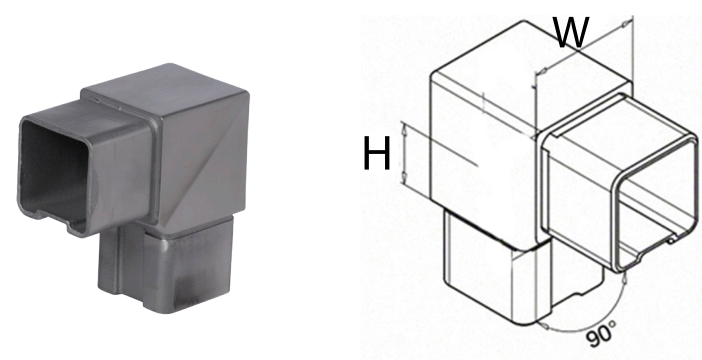


Item #	Description	Tubing Size	Wall	H	W
--------	-------------	-------------	------	---	---

SATIN STAINLESS STEEL 316

49-4942/40	For 1.57" (40mm) x 0.08" Wall Square Tubing	1.57" x 1.57"	0.08"	5.08"	3.94"
------------	---	---------------	-------	-------	-------

SL4301 FLUSH ELL FOR SQUARE

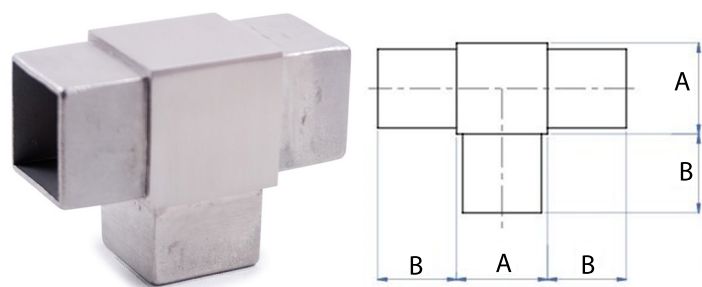


Item #	Description	Tubing Size	Wall	W	H
--------	-------------	-------------	------	---	---

SATIN STAINLESS STEEL 316

49-4301/40	For 1.57" (40mm) Square Tubing	1.57"	0.08"	1.57"	.98"
------------	--------------------------------	-------	-------	-------	------

E4733 FLUSH TEE FOR SQUARE

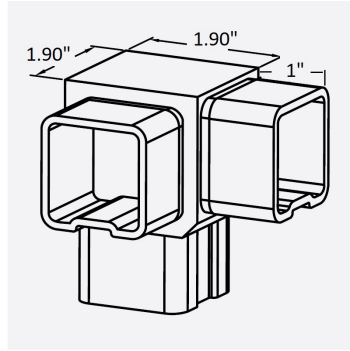


Item #	Description	Tubing Size	Wall	A	B
--------	-------------	-------------	------	---	---

SATIN STAINLESS STEEL 316

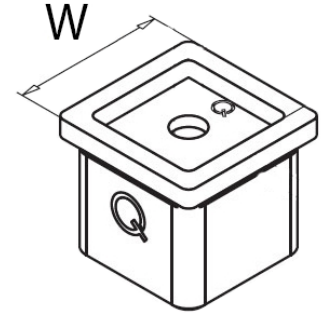
49-E4733/40	For 1.57" (40mm) Square Tubing	1.57"	0.08"	1.57"	1"
-------------	--------------------------------	-------	-------	-------	----

733SQ FLUSH SIDE OUTLET ELL FOR SQUARE



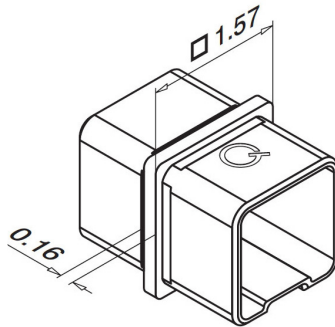
Item #	Description	Tubing Size
49-733SQ/40	For 1.57" (40mm) Square Tubing	1.57"x1.57"

SL4727 END CAP FOR SQUARE



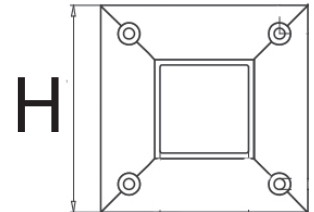
Item #	Description	Tubing Size	Wall	W
44-4727/40	For 1.57" (40mm) Square Tubing	1.57" x 1.57"	0.08"	1.57"

SL4790 SPLICE FOR SQUARE TUBE



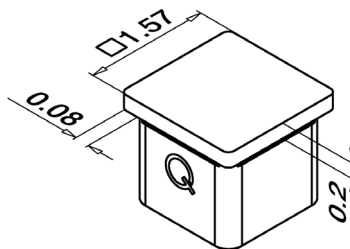
Item #	Description	Tubing Size	Wall	L	D
49-4790/40	For 1.57" (40mm) Square Tubing	1.57" x 1.57"	0.08"	0.16"	1.57"

SL4505 WALL FLANGE



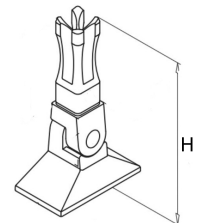
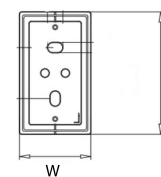
Item #	Description	Tubing Size	H
49-4505/40	For 1.57" (40mm) Square Tubing	1.57" x 1.57"	3.74"

4732 FLUSH END CAP FOR SQUARE



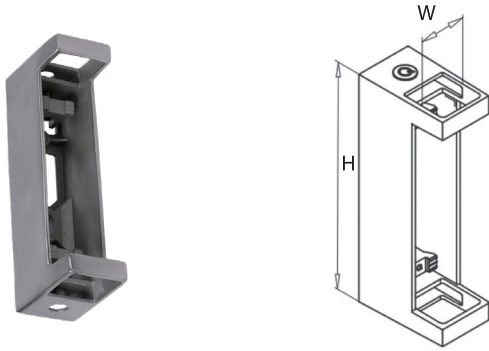
Item #	Description	Tubing Size
49-4732/40	For 1.57" (40mm) Square Tubing	1.57" x 1.57"

SL4943 ADJ SQUARE FLANGE



Item #	Description	Tubing Size	L	W	H
49-4943/40	For 1.57" (40mm) x 0.08" Wall Square Tubing	1.57" x 1.57"	4.72"	2.76"	8.26"

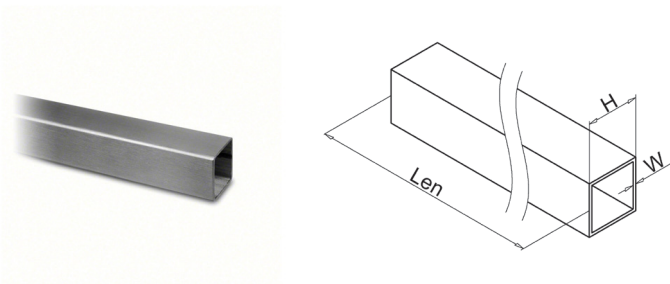
SL4558 FASCIA MOUNT BRACKET



Item #	Description	Tubing Size	H	W
SATIN STAINLESS STEEL 316				
49-SL4558/40	Bracket for 1.57" (40mm) Tubing	1.57" x 1.57"	7.99"	1.57"

C12124 1-1/2" SQUARE X 0.12"

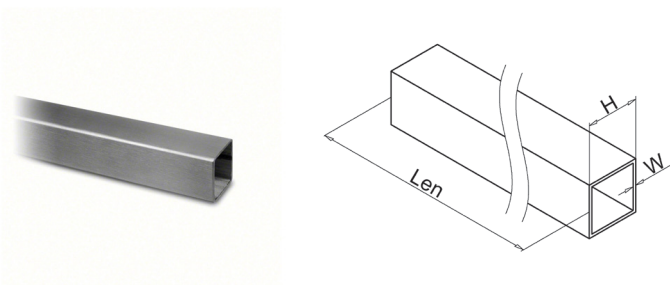
Square tube that fits with our selection of matching fittings.



Item #	Description	Tubing Size	H	W	Len
SATIN STAINLESS STEEL 316					
49-C12124	1-1/2" Square Tubing	1-1/2" x 1-1/2"	1-1/2"	0.12"	20 FT

C12122 1-1/2" SQUARE X 0.06"

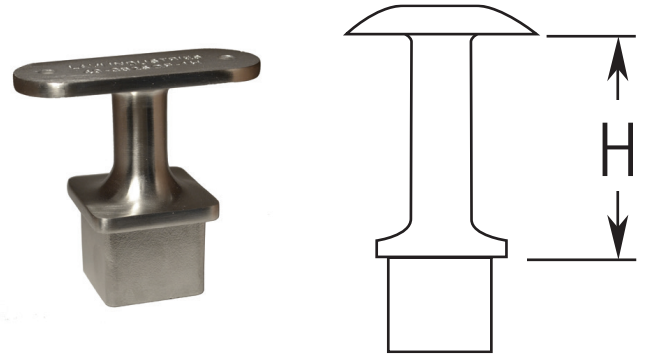
Square tube that fits with our selection of matching fittings.



Item #	Description	Tubing Size	H	W	Len
SATIN STAINLESS STEEL 316					
49-C12122	1-1/2" Square x 0.06" Tubing - 316 Grade Satin (Brushed) Stainless Steel	1-1/2" x 1-1/2"	1-1/2"	0.06"	20 FT

352SQF SADDLE FOR SQUARE TUBE

For square posts and flat handrail.



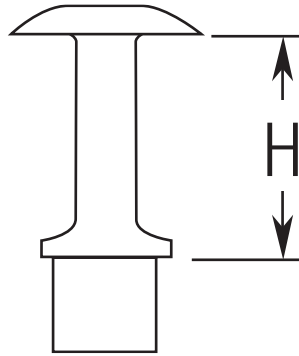
Item #	Description	Tubing Size	Wall	H
SATIN STAINLESS STEEL 316				
49-352SQF/2	For 2" x 0.12" Wall	2" x 2"	0.12"	1.719"
49-352SQF/1H	For 1-1/2" x 0.12" Wall	1-1/2" x 1-1/2"	0.12"	1.719"
49-352SQF/40	For 1.57" x 0.12" Wall	1.57" x 1.57"	0.12"	1.719"

SL4302 ADJUSTABLE ELBOW FOR SQUARE TUBE



352ASQF ADJ SADDLE FOR SQUARE

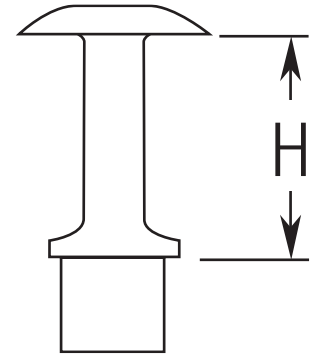
For square posts and flat handrail.



Item #	Description	Tubing Size	Wall	H
SATIN STAINLESS STEEL 316				
49-352ASQF/2	For 2" x 0.12" Wall	2" x 2"	0.12"	1.719"
49-352ASQF/1H	For 1-1/2" x 0.12" Wall	1-1/2" x 1-1/2"	0.12"	1.719"
49-352ASQF/40	For 1.57" x 0.12" Wall	1.57" x 1.57"	0.12"	1.719"

352ASQ SADDLE FOR SQ & ROUND

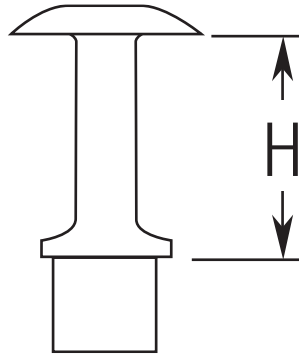
For square posts and round handrail.



Item #	Description	Tubing Size	Wall	H
SATIN STAINLESS STEEL 316				
49-352ASQ/2	For 2" Post and 1-1/2" Handrail	2" x 2"	0.12"	1.719"
49-352ASQ/1H	For 1-1/2" Post and Handrail	1-1/2" x 1-1/2"	0.12"	1.719"
49-352ASQ/40	For 1.57" Post and Handrail	1.57" x 1.57"	0.12"	1.719"

352SQ SADDLE FOR SQ & ROUND

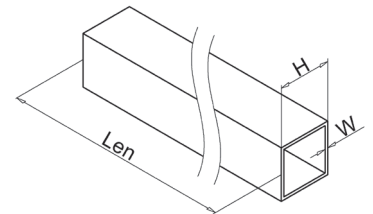
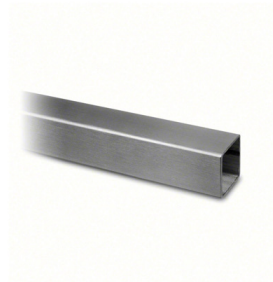
For square posts and round handrail.



Item #	Description	Tubing Size	Wall	H
SATIN STAINLESS STEEL 316				
49-352SQ/2	For 2" Post and 1-1/2" Handrail	2" x 2"	0.12"	1.719"
49-352SQ/1H	For 1-1/2" Post and Handrail	1-1/2" x 1-1/2"	0.12"	1.719"
49-352SQ/40	For 1.57" Post and Handrail	1.57" x 1.57"	0.12"	1.719"

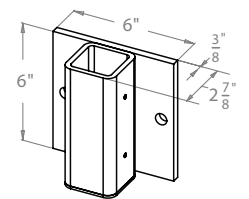
C16164 2" SQUARE X 0.12"

Square tube that fits with our selection of matching fittings.



Item #	Description	H	W	Len
SATIN STAINLESS STEEL 316				
49-C16164	2" Square Tubing	2"	0.12"	20 FT

WA106 FASCIA MOUNT BRACKET



Item #	Description	Tubing Size
SATIN STAINLESS STEEL 316		
49-WA106/2	For 2" Tubing	2" x 2"
49-WA106/1HSQ	For 1-1/2" Tubing	1-1/2" x 1-1/2"

SL4145 WALL MNT BRKT - SQUARE

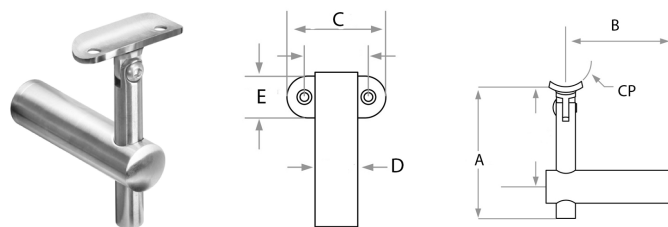
Mounting bolt QS-2 and screws QS-113 sold separately.



Item #	Description	Tubing Size	CP	W	H
SATIN STAINLESS STEEL 304					
44-4145F	For Rectangular Handrail	1-9/16" Sq	3.62"	2.36"	1.57"-3.15"
44-4145/1H	For 1-1/2" Round Handrail	1-1/2" OD	3.62"	2.36"	1.57"-3.15"

309PF FLAT POST MOUNT BRACKET

Handrail mounting screws QS-113 sold separately.



Item #	Description	Tubing Size	CP	A	B	C	D	E
SATIN STAINLESS STEEL 316								
49-309PF/1H	For Square Posts and 1-1/2" Round Handrail	1-1/2" OD	1.5"	3.937"	3.150"	2.362"	.984"	.984"

SL4155 GLASS MOUNT BRACKET

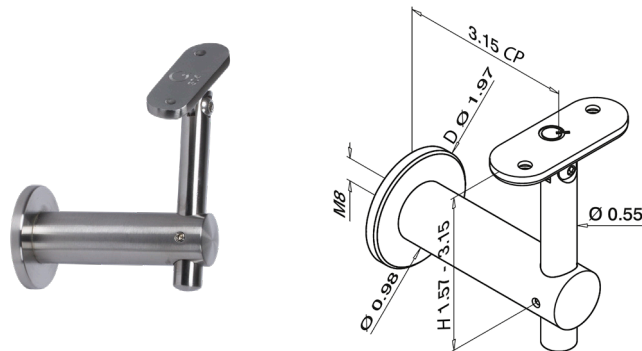
Handrail mounting screws QS-113 and QS111 sold separately.



Item #	Description	Tubing Size	CP	W	L	A	H
SATIN STAINLESS STEEL 304							
44-4155F	For Rectangular Handrail	1.57" x 1.57"	3.7"	2.36"	1.57"	.47" - .98"	1.57" - 3.15"
44-4155/1H	For 1-1/2" Round Handrail	1-1/2" OD	3.7"	2.36"	1.57"	.47" - .98"	1.57" - 3.15"

SL0145 WALL BRACKET FOR SQUARE

Mounting bolt QS-86 and screws QS-111 sold separately.



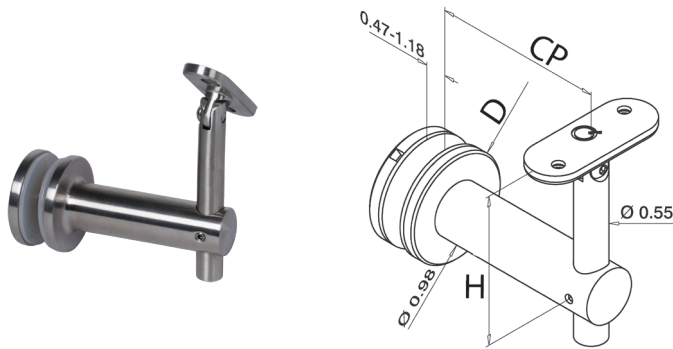
Item #	Description	CP	D	H
SATIN STAINLESS STEEL 304				
44-0145F	Adjustable for Rectangular Handrail	3.15"	1.97"	1.57"-3.15"

SL4710 SQUARE SADDLE



SL0155 GLASS BRKT FOR SQUARE

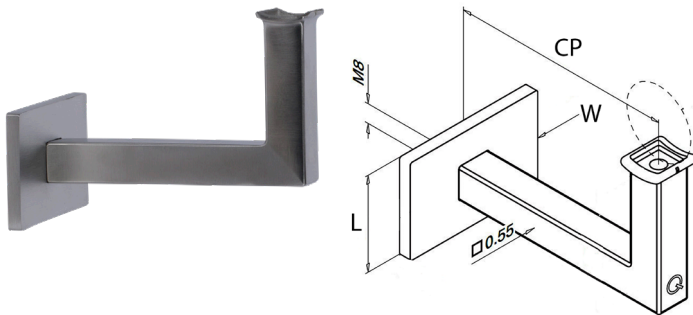
Handrail mounting screws QS-113 sold separately.



Item #	Description	CP	D	H
SATIN STAINLESS STEEL 304				
44-0155	For Rectangular Handrail	3.23"	2"	1.57"-3.15"
SATIN STAINLESS STEEL 316				
49-0155	For Rectangular Handrail	3.23"	2"	1.57"-3.15"

4101 WALL HANDRAIL BRACKET

Mounting bolt QS-2 and screw QS-171 sold separately.



Item #	Description	Tubing Size	CP	W	L
SATIN STAINLESS STEEL 316					
49-4101/1H	For 1-1/2" OD Round Handrail	1-1/2" OD	3.62"	1.57"	2.36"

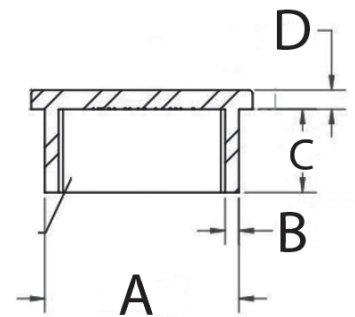
SL01 SOLAR LED ACCENT LIGHT

Ideal for mounting onto a square post to add localized lighting to a railing, pathway, and the exterior of a building.



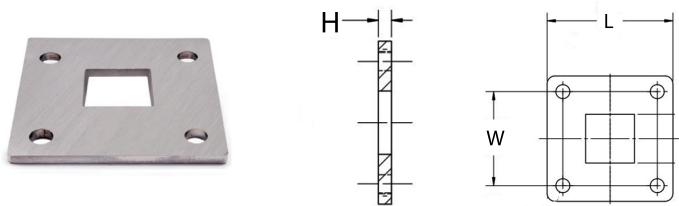
Item #	Description
STAINLESS STEEL 316 POWDER COATED BLACK	
49BK-SL01	Mount on Flat Surfaces
SATIN STAINLESS STEEL 316	
49-SL01	Mount on Flat Surfaces

650 FLUSH END CAP FOR SQUARE



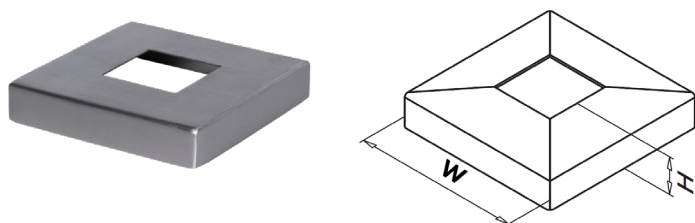
Item #	Description	Tubing Size	A	B	C	D
SATIN STAINLESS STEEL 316						
49-650/1H11	For 1-1/2" Square Tubing (0.12" Wall)	1-1/2" - 1-1/2"	1.25"	.12"	.75"	.17"
49-650/211	For 2" Square Tubing (0.12" Wall)	2" x 2"	1.75"	.12"	.75"	.17"
49-650/1H	For 1-1/2" Square Tubing (0.06" Wall)	1-1/2" - 1-1/2"	1.38"	.12"	.68"	.17"
49-650/40	For 1.57" Square Tubing (0.08" Wall)	1.57" x 1.57"	1.41"	.08"	.75"	.17"

593 FLOOR FLANGE



Item #	Description	Tubing Size	L	W	H
SATIN STAINLESS STEEL 316					
49-593/2	For 2" Square Tubing	2" x 2"	4-29/32"	4-29/32"	5/16"
49-593/1H	For 1-1/2" Square Tubing	1-1/2" x 1-1/2"	3-15/16"	3-15/16"	5/16"
49-593/40	For 1.57" (40mm) Square Tubing	1.57" x 1.57"	3-15/16"	3-15/16"	5/16"

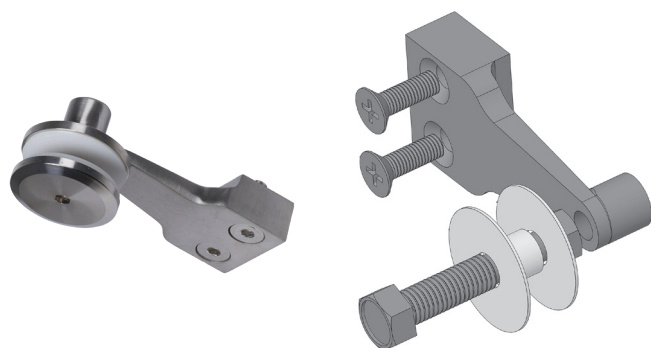
540SQ SQUARE FLANGE CANOPY



Item #	Description	Tubing Size	W	H
SATIN STAINLESS STEEL 316				
49-540SQ/2	Canopy for Flange 49-593/2	2" x 2"	5.118"	.984"
49-540SQ/1H	Canopy for Flange 49-593/1H	1-1/2" x 1-1/2"	4-1/8"	.968"
49-540SQ/40	Canopy for Flange 49-593/40	1.57" x 1.57"	4-1/8"	.968"

876E GLASS SPIDER - SINGLE

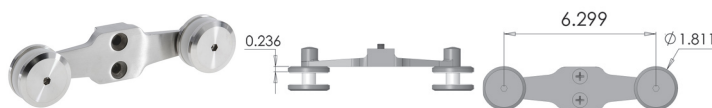
Mount on to square or rectangular tube.



Item #	Description	Glass Thickness
SATIN STAINLESS STEEL 316		
49-876E/F/3	For Glass Thickness 1/2-3/4"	1/2" or 3/4"

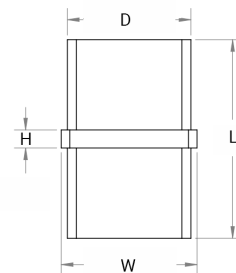
876C GLASS SPIDER - DOUBLE

Mount on to square or rectangular tube.



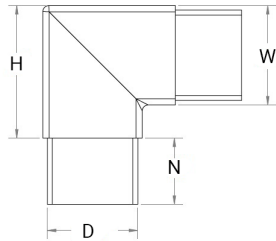
Item #	Description	Glass Thickness
SATIN STAINLESS STEEL 316		
49-876C/F/3	For Glass Thickness 1/2-3/4"	1/2" or 3/4"

830SQ SPLICE FOR SQUARE TUBE



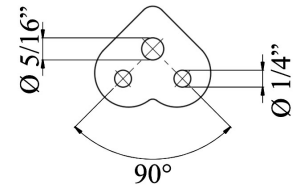
Item #	Description	Tubing Size	D	W	H	L
SATIN STAINLESS STEEL 316						
49-830SQ/40	For 1.57" x 0.08" Wall	1.57" x 1.57"	1.40"	1.57"	0.17"	2.20"
49-830SQ-06/1H	For 1.50" x 0.06" Wall	1.50" x 1.50"	1.37"	1.50"	0.17"	2.20"

732SQ FLUSH ELL FOR SQUARE



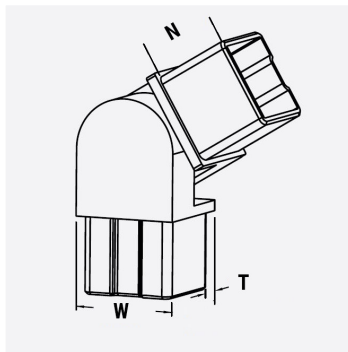
Item #	Description	Tubing Size	D	H	W	N
SATIN STAINLESS STEEL 316						
49-732SQ/40	For 1.57" x 0.08" Wall	1.57"x1.57"	1.42"	1.77"	1.57"	1.00"
49-732SQ-06/1H	For 1.50" x 0.06" Wall	1.50"x1.50"	1.37"	2.00"	1.50"	1.00"

352L-FT CORNER SADDLE FOR POST-HANDRAIL BRACKET



Item #	Description
SATIN STAINLESS STEEL 304	
44-352L-FT	For Flat Handrail
SATIN STAINLESS STEEL 316	
49-352L-FT	For Flat Handrail

732ASQ ADJUSTABLE FLUSH ELL



Item #	Description	Tubing Size	W	N	T
SATIN STAINLESS STEEL 316					
49-732ASQ/40	For 1.57" (40mm) Square Tubing	1.57"x1.57"	1.57"	1.20"	0.08"
49-732ASQ-06/1H	For 1-1/2" Square Tubing	1.5"x1.5"	1.50"	1.20"	0.06"

WOOD LINE

The most modern materials fail to emulate the immaculate natural texture of a wooden railing. We offer a touch of wood that flawlessly blends with modern metal railings. Our wood line handrails are made from the finest, enduring, solid oak, beech and wenge, finished to rounded perfection. Using beautifully matched flush fittings, you can install these railings as freestanding handrails as well as wall-mounted railings. Key features of the wood are that they are continuous and without joints, they are free of knots, and the raw woods are ready to stain. A modern pick: The pre-finished hardwood wenge is naturally dark brown with black streaks.

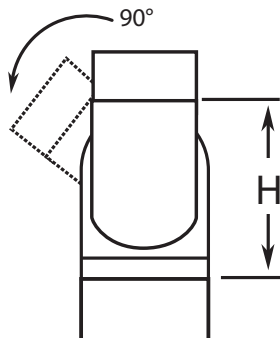
A134 1.77" SOLID ROUND WOOD



Item #	Description	Wood Diameter	Len
BEECH WOOD			
32-A134/10	1.77" (45mm) Round	1.77" (45mm)	10FT
RAW BEECH UNFINISHED			
31-A134/10	1.77" (45mm) Round	1.77" (45mm)	10FT
WENGE WOOD			
33-A134/10	1.77" (45mm) Round	1.77" (45mm)	10FT
33-A134/8	1.77" (45mm) Round	1.77" (45mm)	8FT

732AW ADJ FLUSH ELL FOR WOOD

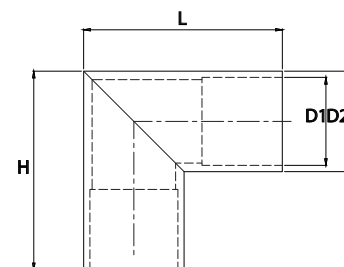
Use with E600 wood to fitting connector to connect to A134 1.77" solid round wood.



Item #	Description	Tubing Size	L	W
SATIN STAINLESS STEEL 304				
44-732AW/45	Adjustable Ell	1.77" OD	1.8"	2"

732W FLUSH ELL FOR WOOD

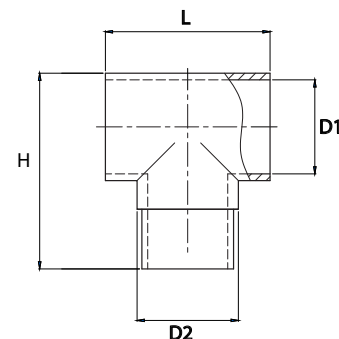
Use with E600 wood to fitting connector to connect to A134 1.77" solid round wood.



Item #	Description	Tubing Size	L	H	D1	D2
SATIN STAINLESS STEEL 304						
44-732W/45	Flush Ell	1.77" OD (45mm)	3.5"	3.5"	1.55"	1.77"

734W FLUSH TEE FOR WOOD

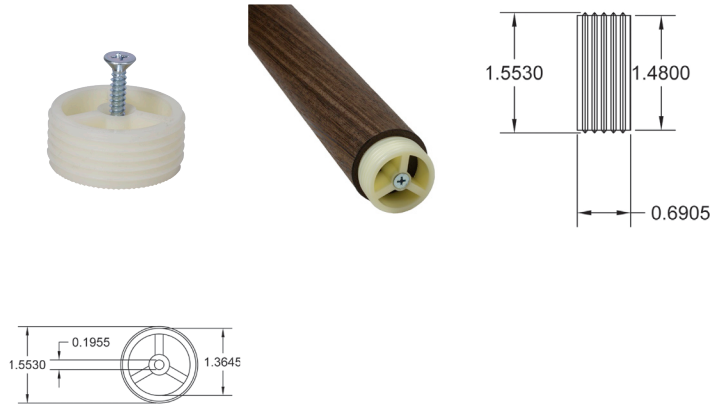
Use with E600 wood to fitting connector to connect to A134 1.77" solid round wood.



Item #	Description	Tubing Size	L	H	D1	D2
SATIN STAINLESS STEEL 304						
44-734W/45	Flush Tee	1.77" OD (45mm)	2.72"	3.22"	1.55"	1.66"

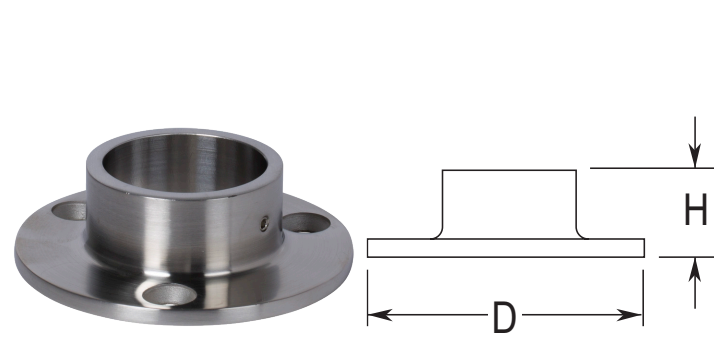
E600 WOOD TO FITTING CONNECTOR

Mount E600 to the end of A134 wood to enable connection of the wood to a flush fitting (731W, 732W etc).



Item #	Description	Tubing Size
PLASTIC		
80-E600/45	Plastic Internal Connector for Fittings	1.77" OD (45mm)

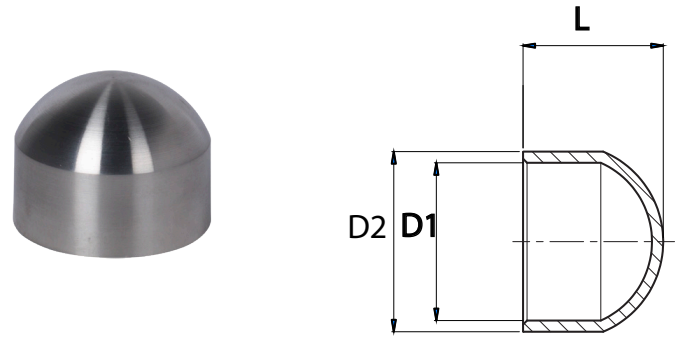
510W WALL FLANGE FOR WOOD



Item #	Description	Tubing Size	D	H
SATIN STAINLESS STEEL 304				
44-510W/45	For 1.77" (45mm) OD Wood	1.77" OD (45mm)	3.74"	1.14"

602W ROUND END CAP FOR WOOD

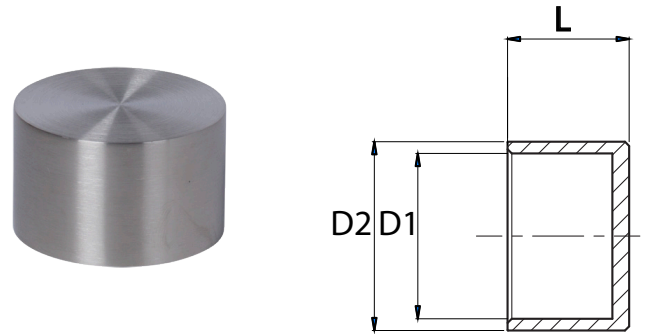
Use with E600 wood to fitting connector to connect to A134 1.77" solid round wood.



Item #	Description	Tubing Size	L	D1	D2
SATIN STAINLESS STEEL 304					
44-602W/45	Round End Cap	1.77" OD (45mm)	1.37"	1.55"	1.77"

600W/45 FLUSH END CAP FOR WOOD

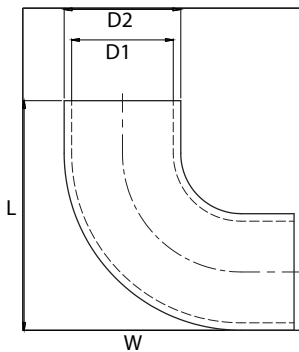
Use with E600 wood to fitting connector to connect to A134 1.77" solid round wood.



Item #	Description	Tubing Size	L	D1	D2
SATIN STAINLESS STEEL 304					
44-600W/45	Flush End Cap	1.77" OD (45mm)	1.14"	1.55"	1.77"

731W FLUSH RADIUS ELL FOR WOOD

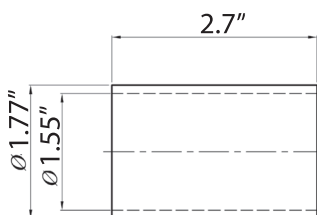
Use with E600 wood to fitting connector to connect to A134 1.77" solid round wood.



Item #	Description	Tubing Size	L	W	D1	D2
SATIN STAINLESS STEEL 304						
44-731W/45	Flush Radius Ell	1.77" OD (45mm)	3.5"	3.5"	1.55"	1.77"

830W SPLICE FOR WOOD

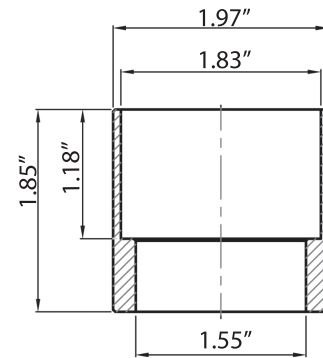
Use with E600 wood to fitting connector to connect to A134 1.77" solid round wood.



Item #	Description	Tubing Size
SATIN STAINLESS STEEL 304		
44-830W/45	Splice	1.77" OD (45mm)

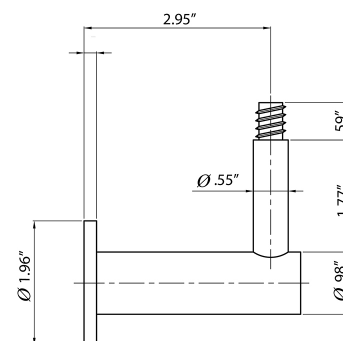
E600/D DRILL GAUGE FOR WOOD

Use this gauge to align the connector E600 to the wood (A134) to enable a flush connection with the fittings.



Item #	Description	Tubing Size
SATIN STAINLESS STEEL 304		
44-E600/D/45	Drill Gauge	1.77" OD (45mm)

E4586 HANDRAIL BRACKET FOR WOOD



Item #	Description	Tubing Size
SATIN STAINLESS STEEL 304		
49-E4586/45	Wall Mounted Handrail Bracket	1.77" OD (45mm)

WDINST THREADED INSERT

Insert with thread on the outside and the inside. Outside thread goes into wood item# A134. Inside thread allows for bolt of E4586 bracket to fit inside. Inside thread size is metric M6.



Item #	Description
MILLED STAINLESS STEEL 304	
41-WDINST	Threaded Insert for Wood

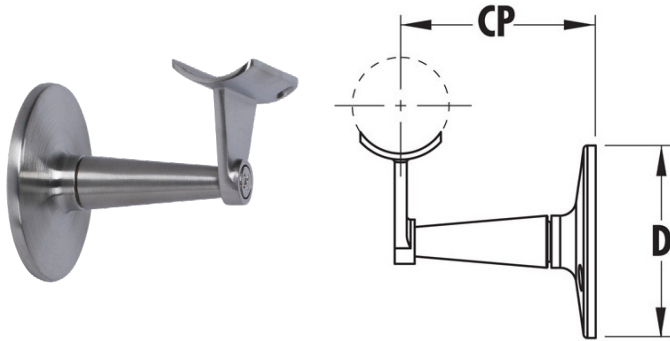
30-A ROUND RED OAK



Item #	Description	Wood Diameter
SOLID RED LIGHT OAK WOOD		
30-A110	16 ft lengths	1-1/2"

308 MODULAR HANDRAIL BRACKET

Mounting hardware sold separately.



Item #	Description	Tubing Size	CP	D
SATIN STAINLESS STEEL 316				
49-308/1H	Wall Bracket for 1-1/2" OD Tubing	1-1/2" OD	3-1/16"	3"
49-308/2	Wall Bracket for 2" OD Tubing	2" OD	3-1/16"	3"

340 FLUSH END POST

Includes mounting hardware.



Item #	Description	Tubing Size	CP	D
POLISHED BRASS				
00-340/1	Bracket for 1" OD Tubing	1" OD	2-1/8"	1-3/4"
00-340/1H	Bracket for 1-1/2" OD Tubing	1-1/2" OD	2-7/16"	2-5/16"
00-340/2	Bracket for 2" OD Tubing	2" OD	3-1/4"	2-1/2"

POLISHED STAINLESS STEEL 304

40-340/1	Bracket for 1" OD Tubing	1" OD	2-1/8"	1-3/4"
40-340/1H	Bracket for 1-1/2" OD Tubing	1-1/2" OD	2-7/16"	2-5/16"
40-340/2	Bracket for 2" OD Tubing	2" OD	3-1/4"	2-1/2"

SATIN STAINLESS STEEL 304

44-340/1	Bracket for 1" OD Tubing	1" OD	2-1/8"	1-3/4"
44-340/1H	Bracket for 1-1/2" OD Tubing	1-1/2" OD	2-7/16"	2-5/16"
44-340/2	Bracket for 2" OD Tubing	2" OD	3-1/4"	2-1/2"

342 FLUSH CENTER POST

Includes mounting hardware.



Item #	Description	Tubing Size	CP	D
POLISHED BRASS				
00-342/1	Bracket for 1" OD Tubing	1" OD	2-1/8"	1-3/4"
00-342/1H	Bracket for 1-1/2" OD Tubing	1-1/2" OD	2-7/16"	2-5/16"
00-342/2	Bracket for 2" OD Tubing	2" OD	3-1/4"	2-1/2"

POLISHED STAINLESS STEEL 304

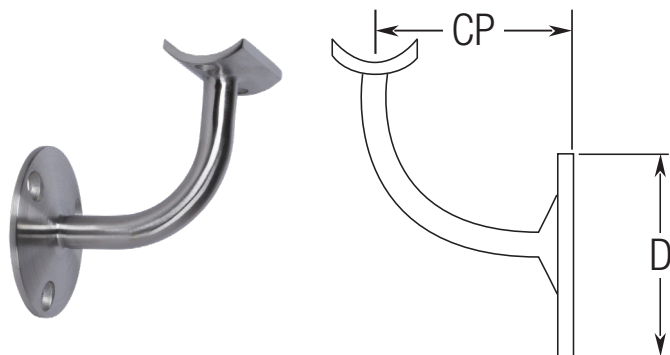
40-342/1	Bracket for 1" OD Tubing	1" OD	2-1/8"	1-3/4"
40-342/1H	Bracket for 1-1/2" OD Tubing	1-1/2" OD	2-7/16"	2-5/16"
40-342/2	Bracket for 2" OD Tubing	2" OD	3-1/4"	2-1/2"

SATIN STAINLESS STEEL 304

44-342/1	Bracket for 1" OD Tubing	1" OD	2-1/8"	1-3/4"
44-342/1H	Bracket for 1-1/2" OD Tubing	1-1/2" OD	2-7/16"	2-5/16"
44-342/2	Bracket for 2" OD Tubing	2" OD	3-1/4"	2-1/2"

301 STANDARD HANDRAIL BRACKET

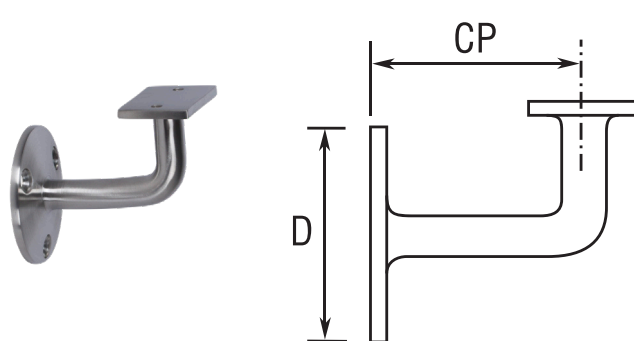
Includes wall and handrail mounting screws.



Item #	Description	Tubing Size	CP	D
POLISHED BRASS				
00-301/1H	Wall Bracket for 1-1/2" OD Tubing	1-1/2" OD	2-1/2"	2-1/2"
00-301/2	Wall Bracket for 2" OD Tubing	2" OD	2-3/4"	2-1/2"
POLISHED STAINLESS STEEL 304				
40-301/1H	Wall Bracket for 1-1/2" OD Tubing	1-1/2" OD	2-1/2"	2-1/2"
40-301/2	Wall Bracket for 2" OD Tubing	2" OD	2-3/4"	2-1/2"
SATIN STAINLESS STEEL 304				
44-301/1H	Wall Bracket for 1-1/2" OD Tubing	1-1/2" OD	2-1/2"	2-1/2"
44-301/2	Wall Bracket for 2" OD Tubing	2" OD	2-3/4"	2-1/2"
POLISHED STAINLESS STEEL 316				
47-301/1H	Wall Bracket for 1-1/2" OD Tubing	1-1/2" OD	2-1/2"	2-1/2"
47-301/424	Wall Bracket for 1.67" (42.4mm) Tubing	1.67" OD	2-9/16"	2-9/16"
47-301/2	Wall Bracket for 2" OD Tubing	2" OD	2-3/4"	2-1/2"
SATIN STAINLESS STEEL 316				
49-301/1H	Wall Bracket for 1-1/2" OD Tubing	1-1/2" OD	2-1/2"	2-1/2"
49-301/424	Wall Bracket for 1.67" (42.4mm) Tubing	1.67" OD	2-9/16"	2-9/16"
49-301/2	Wall Bracket for 2" OD Tubing	2" OD	2-3/4"	2-1/2"

310 FLAT HANDRAIL BRACKET

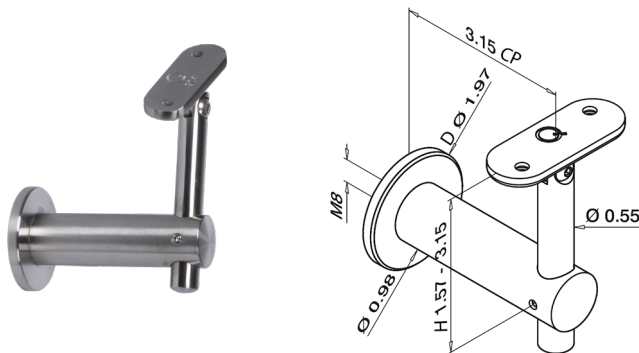
Includes wall and handrail mounting screws.



Item #	Description	CP	D
POLISHED BRASS			
00-310	For Rectangular Handrail	2-1/2"	2-3/8"
POLISHED STAINLESS STEEL 304			
40-310	For Rectangular Handrail	2-1/2"	2-3/8"
SATIN STAINLESS STEEL 304			
44-310	For Rectangular Handrail	2-1/2"	2-3/8"

SL0145 WALL BRACKET FOR SQUARE

Mounting bolt QS-86 and screws QS-111 sold separately.



Item #	Description	CP	D	H
SATIN STAINLESS STEEL 304				
44-0145F	Adjustable for Rectangular Handrail	3.15"	1.97"	1.57"-3.15"

SL4145 WALL MNT BRKT - SQUARE

Mounting bolt QS-2 and screws QS-113 sold separately.



Item #	Description	Tubing Size	CP	W	H
SATIN STAINLESS STEEL 304					
44-4145F	For Rectangular Handrail	1-9/16" Sq	3.62"	2.36"	1.57"-3.15"
44-4145/H	For 1-1/2" Round Handrail	1-1/2" OD	3.62"	2.36"	1.57"-3.15"

SL01 SOLAR LED ACCENT LIGHT

Ideal for mounting onto a square post to add localized lighting to a railing, pathway, and the exterior of a building.



Item #	Description
STAINLESS STEEL 316 POWDER COATED BLACK	
49BK-SL01	Mount on Flat Surfaces
SATIN STAINLESS STEEL 316	
49-SL01	Mount on Flat Surfaces

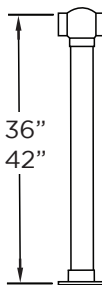
SINGLE LINE BALL POSTS

SLBPEP END POSTS



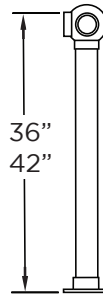
Item #	Height	Tubing Size
POLISHED BRASS		
00-S202/3	36"	2" OD
00-S102/3	36"	1-1/2" OD
00-S202/4	42"	2" OD
POLISHED STAINLESS STEEL 304		
40-S102/3	36"	1-1/2" OD
40-S202/3	36"	2" OD
40-S202/4	42"	2" OD
SATIN STAINLESS STEEL 304		
44-S102/3	36"	1-1/2" OD
44-S202/3	36"	2" OD
44-S202/4	42"	2" OD

SLBPCEP CENTER POSTS



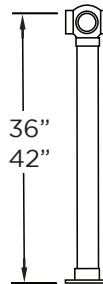
Item #	Height	Tubing Size
POLISHED BRASS		
00-S204/3	36"	2" OD
00-S104/3	36"	1-1/2" OD
00-S204/4	42"	2" OD
POLISHED STAINLESS STEEL 304		
40-S104/3	36"	1-1/2" OD
40-S204/3	36"	2" OD
40-S204/4	42"	2" OD
SATIN STAINLESS STEEL 304		
44-S104/3	36"	1-1/2" OD
44-S204/3	36"	2" OD
44-S204/4	42"	2" OD

SLBPCP CORNER POSTS



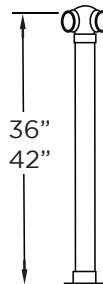
Item #	Height	Tubing Size
POLISHED BRASS		
00-S203/3	36"	2" OD
00-S103/3	36"	1-1/2" OD
00-S203/4	42"	2" OD
POLISHED STAINLESS STEEL 304		
40-S103/3	36"	1-1/2" OD
40-S203/3	36"	2" OD
40-S203/4	42"	2" OD
SATIN STAINLESS STEEL 304		
44-S103/3	36"	1-1/2" OD
44-S203/3	36"	2" OD
44-S203/4	42"	2" OD

SLBPTEP TEE POSTS



Item #	Height	Tubing Size
POLISHED BRASS		
00-S205/3	36"	2" OD
00-S105/3	36"	1-1/2" OD
00-S205/4	2" OD	42"
POLISHED STAINLESS STEEL 304		
40-S105/3	36"	1-1/2" OD
40-S205/3	36"	2" OD
40-S205/4	42"	2" OD
SATIN STAINLESS STEEL 304		
44-S105/3	36"	1-1/2" OD
44-S205/3	36"	2" OD
44-S205/4	42"	2" OD

SLBPA 135 DEGREE CORNER POSTS

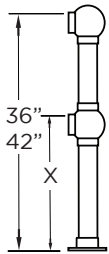


Item #	Height	Tubing Size
POLISHED BRASS		
00-S208/3	36"	2" OD
00-S108/3	36"	1-1/2" OD
00-S208/4	42"	2" OD
POLISHED STAINLESS STEEL 304		
40-S108/3	36"	1-1/2" OD
40-S208/3	36"	2" OD
40-S208/4	42"	2" OD
SATIN STAINLESS STEEL 304		
44-S208/3	36"	2" OD
44-S108/3	36"	1-1/2" OD
44-S208/4	42"	2" OD

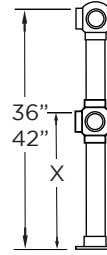
DOUBLE LINE BALL POSTS

DLBPCP CORNER POSTS

DLBPEP END POSTS



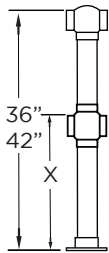
Item #	Tubing Size	Height
POLISHED BRASS		
00-D102/3	1-1/2" OD	36"
00-D202/3	2" OD	36"
00-D202/4	2" OD	42"
POLISHED STAINLESS STEEL 304		
40-D102/3	1-1/2" OD	36"
40-D202/3	2" OD	36"
40-D202/4	2" OD	42"
SATIN STAINLESS STEEL 304		
44-D102/3	1-1/2" OD	36"
44-D202/4	2" OD	42"
44-D202/3	2" OD	36"



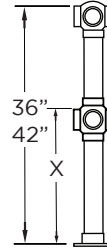
Item #	Tubing Size	Height
POLISHED BRASS		
00-D103/3	1-1/2" OD	36"
00-D203/3	2" OD	36"
00-D203/4	2" OD	42"
POLISHED STAINLESS STEEL 304		
40-D103/3	1-1/2" OD	36"
40-D203/4	2" OD	42"
40-D203/3	2" OD	36"
SATIN STAINLESS STEEL 304		
44-D103/3	1-1/2" OD	36"
44-D203/4	2" OD	42"
44-D203/3	2" OD	36"

DLBTPT TEE POSTS

DLBPCEP CENTER POSTS



Item #	Tubing Size	Height
POLISHED BRASS		
00-D104/3	1-1/2" OD	36"
00-D204/3	2" OD	36"
00-D204/4	2" OD	42"
POLISHED STAINLESS STEEL 304		
40-D104/3	1-1/2" OD	36"
40-D204/3	2" OD	36"
40-D204/4	2" OD	42"
SATIN STAINLESS STEEL 304		
44-D104/3	1-1/2" OD	36"
44-D204/3	2" OD	36"
44-D204/4	2" OD	42"



Item #	Tubing Size	Height
POLISHED BRASS		
00-D105/3	1-1/2" OD	36"
00-D205/3	2" OD	36"
00-D205/4	2" OD	42"
POLISHED STAINLESS STEEL 304		
40-D105/3	1-1/2" OD	36"
40-D205/4	2" OD	42"
40-D205/3	2" OD	36"
SATIN STAINLESS STEEL 304		
44-D105/3	1-1/2" OD	36"
44-D205/4	2" OD	42"
44-D205/3	2" OD	36"



LOW LINE BALL POSTS

LLBPEP END POSTS



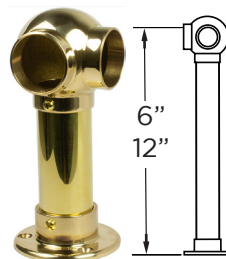
Item #	Height	Tubing Size
POLISHED BRASS		
00-L102/5	6"	1-1/2" OD
00-L202/5	6"	2" OD
00-L202/1	12"	2" OD
00-L102/1	12"	1-1/2" OD
POLISHED STAINLESS STEEL 304		
40-L102/5	6"	1-1/2" OD
40-L202/5	6"	2" OD
40-L202/1	12"	2" OD
40-L102/1	12"	1-1/2" OD
SATIN STAINLESS STEEL 304		
44-L102/5	6"	1-1/2" OD
44-L202/5	6"	2" OD
44-L102/1	12"	1-1/2" OD
44-L202/1	12"	2" OD

LLBPCEP CENTER POSTS



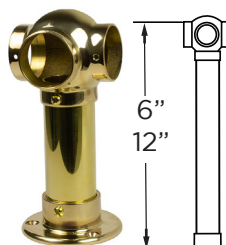
Item #	Height	Tubing Size
POLISHED BRASS		
00-L104/5	6"	1-1/2" OD
00-L204/5	6"	2" OD
00-L204/1	12"	2" OD
00-L104/1	12"	1-1/2" OD
POLISHED STAINLESS STEEL 304		
40-L104/5	6"	1-1/2" OD
40-L204/5	6"	2" OD
40-L104/1	12"	1-1/2" OD
40-L204/1	12"	2" OD
SATIN STAINLESS STEEL 304		
44-L104/5	6"	1-1/2" OD
44-L204/5	6"	2" OD
44-L104/1	12"	1-1/2" OD
44-L204/1	12"	2" OD

LLBPCP CORNER POSTS



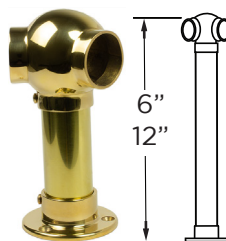
Item #	Height	Tubing Size
POLISHED BRASS		
00-L103/5	6"	1-1/2" OD
00-L203/5	6"	2" OD
00-L203/1	12"	2" OD
00-L103/1	12"	1-1/2" OD
POLISHED STAINLESS STEEL 304		
40-L103/5	6"	1-1/2" OD
40-L203/5	6"	2" OD
40-L103/1	12"	1-1/2" OD
40-L203/1	12"	2" OD
SATIN STAINLESS STEEL 304		
44-L103/5	6"	1-1/2" OD
44-L203/5	6"	2" OD
44-L103/1	12"	1-1/2" OD
44-L203/1	12"	2" OD

LLBPTP TEE POSTS



Item #	Height	Tubing Size
POLISHED BRASS		
00-L205/5	6"	2" OD (0.05" Wall)
00-L105/5	6"	1-1/2" OD
00-L205/1	12"	2" OD
00-L105/1	12"	1-1/2" OD
POLISHED STAINLESS STEEL 304		
40-L105/5	6"	1-1/2" OD
40-L205/5	6"	2" OD
40-L205/1	12"	2" OD
40-L105/1	12"	1-1/2" OD
SATIN STAINLESS STEEL 304		
44-L105/5	6"	1-1/2" OD
44-L205/5	6"	2" OD
44-L205/1	12"	2" OD
44-L105/1	12"	1-1/2" OD

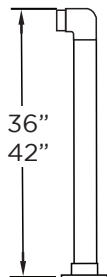
LLBPA CORNER POSTS



Item #	Height	Tubing Size
POLISHED BRASS		
00-L108/5	6"	1-1/2" OD
00-L208/5	6"	2" OD
00-L208/1	12"	2" OD
00-L108/1	12"	1-1/2" OD
POLISHED STAINLESS STEEL 304		
40-L208/5	6"	2" OD
40-L108/5	6"	1-1/2" OD
40-L108/1	12"	1-1/2" OD
40-L208/1	12"	2" OD
SATIN STAINLESS STEEL 304		
44-L108/5	6"	1-1/2" OD
44-L208/5	6"	2" OD
44-L208/1	12"	2" OD
44-L108/1	12"	1-1/2" OD

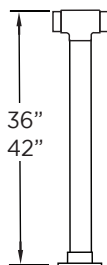
SINGLE LINE FLUSH POSTS

SLFPEP END POSTS



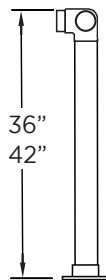
Item #	Height	Tubing Size
POLISHED BRASS		
00-S232/3	36"	2" OD
00-S132/3	36"	1-1/2" OD
00-S232/4	42"	2" OD
POLISHED STAINLESS STEEL 304		
40-S132/3	36"	1-1/2" OD
40-S232/3	36"	2" OD
40-S232/4	42"	2" OD
SATIN STAINLESS STEEL 304		
44-S232/3	36"	2" OD
44-S132/3	36"	1-1/2" OD
44-S232/4	42"	2" OD

SLFPCP CENTER POSTS



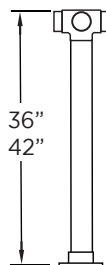
Item #	Height	Tubing Size
POLISHED BRASS		
00-S234/3	36"	2" OD
00-S134/3	36"	1-1/2" OD
00-S234/4	42"	2" OD
POLISHED STAINLESS STEEL 304		
40-S134/3	36"	1-1/2" OD
40-S234/3	36"	2" OD
40-S234/4	42"	2" OD
SATIN STAINLESS STEEL 304		
44-S234/3	36"	2" OD
44-S134/3	36"	1-1/2" OD
44-S234/4	42"	2" OD

SLFPCP CORNER POSTS



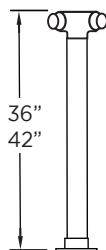
Item #	Height	Tubing Size
POLISHED BRASS		
00-S233/3	36"	2" OD
00-S133/3	36"	1-1/2" OD
00-S233/4	42"	2" OD
POLISHED STAINLESS STEEL 304		
40-S133/3	36"	1-1/2" OD
40-S233/3	36"	2" OD
40-S233/4	42"	2" OD
SATIN STAINLESS STEEL 304		
44-S133/3	36"	1-1/2" OD
44-S233/3	36"	2" OD
44-S233/4	42"	2" OD

SLFPTP TEE POSTS



Item #	Height	Tubing Size
POLISHED BRASS		
00-S235/3	36"	2" OD
00-S135/3	36"	1-1/2" OD
00-S235/4	42"	2" OD
POLISHED STAINLESS STEEL 304		
40-S135/3	36"	1-1/2" OD
40-S235/3	36"	2" OD
40-S235/4	42"	2" OD
SATIN STAINLESS STEEL 304		
44-S135/3	36"	1-1/2" OD
44-S235/3	36"	2" OD
44-S235/4	42"	2" OD

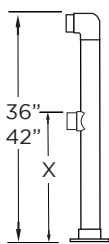
SLFPA CORNER POSTS



Item #	Height	Tubing Size
POLISHED BRASS		
00-S138/3	36"	1-1/2" OD
00-S238/3	36"	2" OD
00-S238/4	42"	2" OD
POLISHED STAINLESS STEEL 304		
40-S138/3	36"	1-1/2" OD
40-S238/3	36"	2" OD
40-S238/4	42"	2" OD
SATIN STAINLESS STEEL 304		
44-S138/3	36"	1-1/2" OD
44-S238/3	36"	2" OD
44-S238/4	42"	2" OD

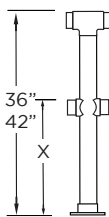
DOUBLE LINE FLUSH POSTS

DLFPEP END POSTS



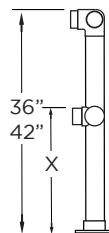
Item #	Height	Tubing Size
POLISHED BRASS		
00-D132/3	36"	1-1/2" OD
00-D232/3	36"	2" OD
00-D232/4	42"	2" OD
POLISHED STAINLESS STEEL 304		
40-D132/3	36"	1-1/2" OD
40-D232/3	36"	2" OD
40-D232/4	42"	2" OD
SATIN STAINLESS STEEL 304		
44-D132/3	36"	1-1/2" OD
44-D232/3	36"	2" OD
44-D232/4	42"	2" OD

DLFPCEP CENTER POSTS



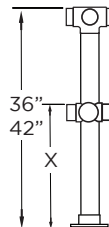
Item #	Height	Tubing Size
POLISHED BRASS		
00-D234/3	36"	2" OD
00-D134/3	36"	1-1/2" OD
00-D234/4	42"	2" OD
POLISHED STAINLESS STEEL 304		
40-D234/3	36"	2" OD
40-D134/3	36"	1-1/2" OD
40-D234/4	42"	2" OD
SATIN STAINLESS STEEL 304		
44-D234/3	36"	2" OD
44-D134/3	36"	1-1/2" OD
44-D234/4	42"	2" OD

DLFPCP CORNER POSTS



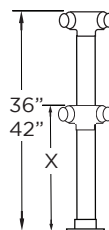
Item #	Height	Tubing Size
POLISHED BRASS		
00-D233/3	36"	2" OD
00-D133/3	36"	1-1/2" OD
00-D233/4	42"	2" OD
POLISHED STAINLESS STEEL 304		
40-D133/3	36"	1-1/2" OD
40-D233/3	36"	2" OD
40-D233/4	42"	2" OD
SATIN STAINLESS STEEL 304		
44-D133/3	36"	1-1/2" OD
44-D233/3	36"	2" OD
44-D233/4	42"	2" OD

DLFPTP TEE POSTS



Item #	Height	Tubing Size
POLISHED BRASS		
00-D235/3	36"	2" OD
00-D135/3	36"	1-1/2" OD
00-D235/4	42"	2" OD
POLISHED STAINLESS STEEL 304		
40-D135/3	36"	1-1/2" OD
40-D235/3	36"	2" OD
40-D235/4	42"	2" OD
SATIN STAINLESS STEEL 304		
44-D135/3	36"	1-1/2" OD
44-D235/3	36"	2" OD
44-D235/4	42"	2" OD

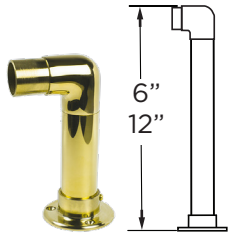
DLFPA CORNER POSTS



Item #	Height	Tubing Size
POLISHED BRASS		
00-D238/3	36"	2" OD
00-D138/3	36"	1-1/2" OD
00-D238/4	42"	2" OD
POLISHED STAINLESS STEEL 304		
40-D138/3	36"	1-1/2" OD
40-D238/3	36"	2" OD
40-D238/4	42"	2" OD
SATIN STAINLESS STEEL 304		
44-D138/3	36"	1-1/2" OD
44-D238/3	36"	2" OD
44-D238/4	42"	2" OD

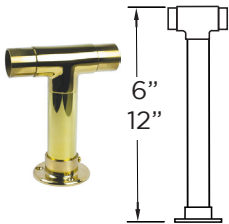
LOW LINE FLUSH POSTS

LLFPEP END POSTS



Item #	Height	Tubing Size
POLISHED BRASS		
00-L132/5	6"	1-1/2" OD
00-L232/5	6"	2" OD
00-L232/1	12"	2" OD
00-L132/1	12"	1-1/2" OD
POLISHED STAINLESS STEEL 304		
40-L132/5	6"	1-1/2" OD
40-L232/5	6"	2" OD
40-L132/1	12"	1-1/2" OD
40-L232/1	12"	2" OD
SATIN STAINLESS STEEL 304		
44-L132/5	6"	1-1/2" OD
44-L232/5	6"	2" OD
44-L132/1	12"	1-1/2" OD
44-L232/1	12"	2" OD

LLFCEP CENTER POSTS



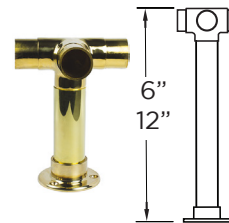
Item #	Height	Tubing Size
POLISHED BRASS		
00-L134/5	6"	1-1/2" OD
00-L234/5	6"	2" OD
00-L234/1	12"	2" OD
00-L134/1	12"	1-1/2" OD
POLISHED STAINLESS STEEL 304		
40-L134/5	6"	1-1/2" OD
40-L234/5	6"	2" OD
40-L134/1	12"	1-1/2" OD
40-L234/1	12"	2" OD
SATIN STAINLESS STEEL 304		
44-L134/5	6"	1-1/2" OD
44-L234/5	6"	2" OD
44-L134/1	12"	1-1/2" OD
44-L234/1	12"	2" OD

LLFPCP CORNER POSTS



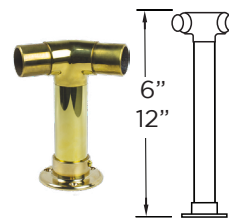
Item #	Height	Tubing Size
POLISHED BRASS		
00-L133/5	6"	1-1/2" OD
00-L233/5	6"	2" OD
00-L233/1	12"	2" OD
00-L133/1	12"	1-1/2" OD
POLISHED STAINLESS STEEL 304		
40-L133/5	6"	1-1/2" OD
40-L233/5	6"	2" OD
40-L133/1	12"	1-1/2" OD
40-L233/1	12"	2" OD
SATIN STAINLESS STEEL 304		
44-L133/5	6"	1-1/2" OD
44-L233/5	6"	2" OD
44-L133/1	12"	1-1/2" OD
44-L233/1	12"	2" OD

LLFPTP TEE POSTS



Item #	Height	Tubing Size
POLISHED BRASS		
00-L235/5	6"	2" OD
00-L135/5	6"	1-1/2" OD
00-L235/1	12"	2" OD
00-L135/1	12"	1-1/2" OD
POLISHED STAINLESS STEEL 304		
40-L135/5	6"	1-1/2" OD
40-L235/5	6"	2" OD
40-L135/1	12"	1-1/2" OD
40-L235/1	12"	2" OD
SATIN STAINLESS STEEL 304		
44-L135/5	6"	1-1/2" OD
44-L235/5	6"	2" OD
44-L135/1	12"	1-1/2" OD
44-L235/1	12"	2" OD

LLFPA 135 DEGREE CORNER POSTS

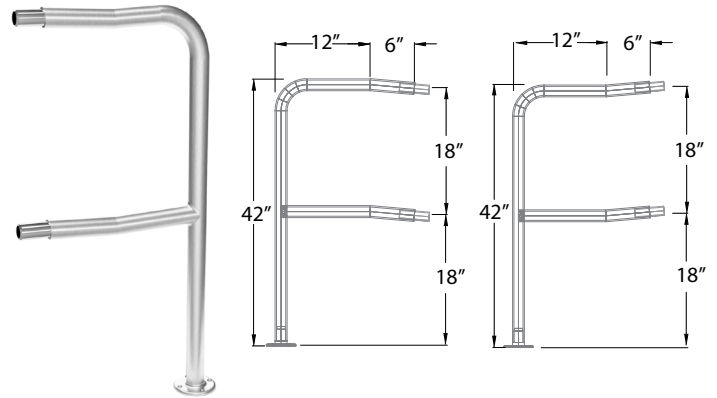


Item #	Height	Tubing Size
POLISHED BRASS		
00-L138/5	6"	1-1/2" OD
00-L238/5	6"	2" OD
00-L238/1	12"	2" OD
00-L138/1	12"	1-1/2" OD
POLISHED STAINLESS STEEL 304		
40-L138/5	6"	1-1/2" OD
40-L238/5	6"	2" OD
40-L138/1	12"	1-1/2" OD
40-L238/1	12"	2" OD
SATIN STAINLESS STEEL 304		
44-L138/5	6"	1-1/2" OD
44-L238/5	6"	2" OD
44-L138/1	12"	1-1/2" OD
44-L238/1	12"	2" OD

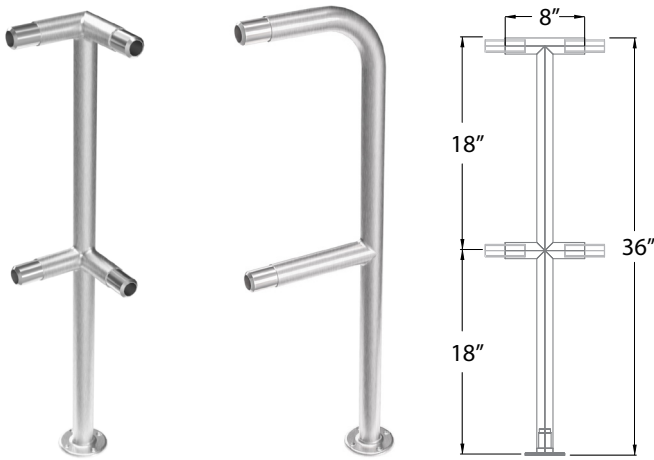
PREFABRICATED ALUMINUM POSTS

Aluminum railings are an unbeatable combination of strength and durability. Our fully pre-welded aluminum posts are an industry first in railings, where no welding is required! All you need to put the joints together is our high strength Lido adhesive, which delivers a solid, rattle-free railing of superior strength and security. The brushed satin finish ensures a virtually maintenance-free system, ideal for a variety of environments. The ramp railing posts are the quickest and most effective railings you could install on any ramp.

D114IDA DBL LINE RAMP POSTS



D114ID DBL LINE LEVEL POSTS



Item #	Description	Height	Pipe Size	Position
--------	-------------	--------	-----------	----------

ALUMINUM BRUSHED

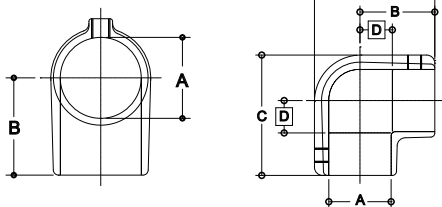
54-D114ID/36/F/C	Center Post	36"	1-1/4"	Center
54-D114ID/36/F/L	Corner Post	36"	1-1/4"	Corner
54-D114ID/36/F/E	End Post	36"	1-1/4"	End
54-D114ID/42/F/C	Center Post	42"	1-1/4"	Center
54-D114ID/42/F/E	End Post	42"	1-1/4"	End
54-D114ID/42/F/L	Corner Post	42"	1-1/4"	Corner

Item #	Description	Height	Pipe Size	Position
ALUMINUM BRUSHED				
54-D114IDA/36/F/B	Bottom End Post	36"	1-1/4"	Bottom
54-D114IDA/36/F/C	Center Post	36"	1-1/4"	Center
54-D114IDA/36/F/T	Top End Post	36"	1-1/4"	Top
54-D114IDA/42/F/B	Bottom End Post	42"	1-1/4"	Bottom
54-D114IDA/42/F/C	Center Post	42"	1-1/4"	Center
54-D114IDA/42/F/T	Top End Post	42"	1-1/4"	Top

HOLLAENDER - SPEED RAIL

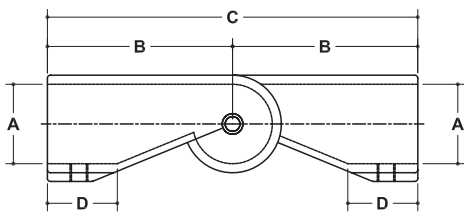
Speed-Rail® is a series of slip-on fittings made of high strength and corrosion resistant aluminum alloy 535. The inline design and familiar "rib" with heavy duty fasteners make Speed-Rail® an industry stalwart. Configure these fittings together with pipe to make: store fixtures, displays, racking systems, carts, tables, beds as well as railings for oil rigs, industrial plants, warehouses, campers, playgrounds, and amusement parks. The applications are as diverse as your imagination.

3 ELBOW



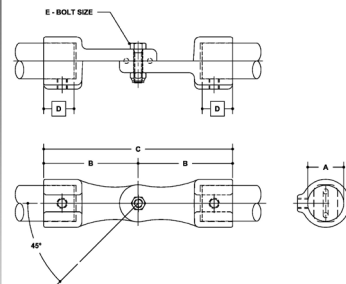
Item #	Description	Pipe Size	A	B	C	D
ALUMINUM MAGNESIUM FLAT BLACK						
55BK-08020	Powder Coated - For 1-1/2" IPS	1-1/2"	1.93"	2.32"	3.72"	1"00
ALUMINUM MAGNESIUM						
05020	(3-5) For 3/4" IPS	3/4"	1.07"	1.50"	2.34"	0.60"
06020	(3-6) For 1" IPS	1"	1.32"	1.78"	2.82"	0.72"
07020	(3-7) For 1-1/4" IPS	1-1/4"	1.68"	2.00"	3.22"	0.88"
08020	(3-8) For 1-1/2" IPS	1-1/2"	1.93"	2.32"	3.72"	1"00
09020	(3-9) For 2" IPS	2"	2.40"	3"00	4.64"	1.25"

3AE ADJUSTABLE ELBOW



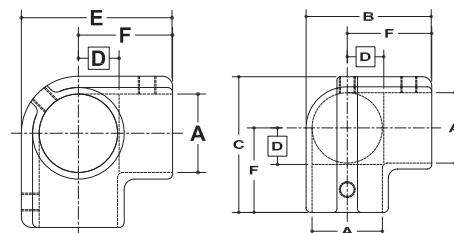
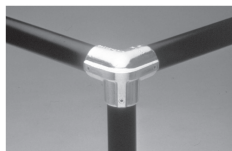
Item #	Description	Pipe Size	A	B	C	D
ALUMINUM MAGNESIUM						
07030	(3AE-7) For 1-1/4" IPS	1-1/4"	1.68"	3.81"	7.63"	1.38"
08030	(3AE-8) For 1-1/2" IPS	1-1/2"	1.93"	4.50"	9.00"	1.63"

3ADJ ADJUSTABLE ELBOW 3/4" IPS AND 1" IPS



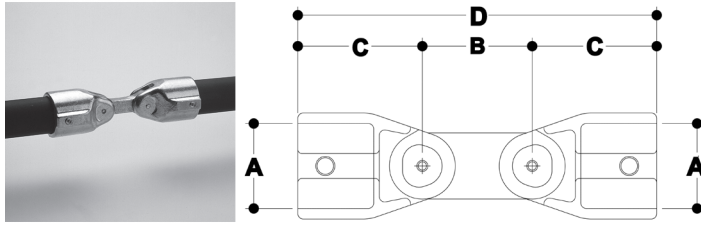
Item #	Description	Pipe Size	A	B	C	D	E
ALUMINUM MAGNESIUM							
05030	(3ADJ-5) For 3/4" IPS	3/4"	1.07"	2.75"	5.50"	0.88"	0.31" x 1.00"
06030	(3ADJ-6) For 1" IPS	1"	1.34"	3.50"	7.00"	1.13"	0.31" x 1.25"

9 SIDE OUTLET ELBOW



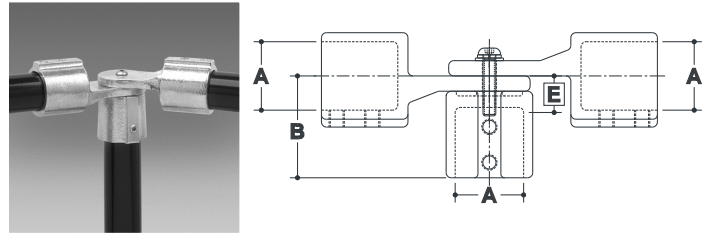
Item #	Description	Pipe Size	A	B	C	D	E	F
ALUMINUM MAGNESIUM FLAT BLACK								
55BK-08120	Powder Coated - For 1-1/2" IPS	1-1/2"	1.93"	3.50"	3.72"	1.00"	3.72"	2.31"
ALUMINUM MAGNESIUM								
05120	(9-5) For 3/4" IPS	3/4"	1.07"	2.20"	2.34"	0.50"	2.34"	1.50"
06120	(9-6) For 1" IPS	1"	1.32"	2.66"	2.83"	0.72"	2.83"	1.78"
07120	(9-7) For 1-1/4" IPS	1-1/4"	1.68"	3.06"	3.22"	0.88"	3.22"	2.00"
08120	(9-8) For 1-1/2" IPS	1-1/2"	1.93"	3.50"	3.72"	1.00"	3.72"	2.31"
09120	(9-9) For 2" IPS	2"	2.40"	4.44"	4.64"	1.25"	4.64"	3.00"

17A ADJUSTABLE ELBOW 180 DEGREES



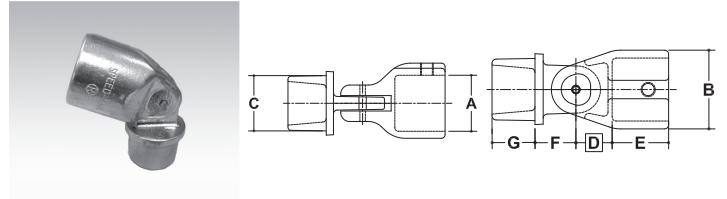
Item #	Description	Pipe Size	A	B	C	D
ALUMINUM MAGNESIUM						
05290	(17A-5) For 3/4" IPS	3/4"	1.07"	2.50"	1.94"	6.38"
06290	(17A-6) For 1" IPS	1"	1.34"	2.50"	2.00"	6.50"
07290	(17A-7) For 1-1/4" IPS	1-1/4"	1.68"	2.50"	2.65"	7.80"
08290	(17A-8) For 1-1/2" IPS	1-1/2"	1.93"	2.50"	2.83"	8.17"

29 ADJ. SIDE OUTLET ELBOW



Item #	Description	Pipe Size	A	B	C	D	E
ALUMINUM MAGNESIUM							
07570	(29-7) For 1-1/4" IPS	1-1/4"	1.68"	2.50"	4.13"	2.40"	0.90"

24 UNIVERSAL ADAPTER

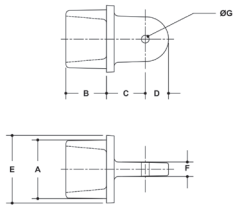


Item #	Description	Pipe Size	A	B	C	D	E	F / G
ALUMINUM MAGNESIUM								
08860	(24-8) For 1-1/2" IPS	1-1/2"	1.93"	2.41"	1.90"	1.11"	1.73"	1.25" / 1.31"

HOLLAENDER SPEED RAIL SYSTEM



24M UNIVERSAL ADAPTER MALE

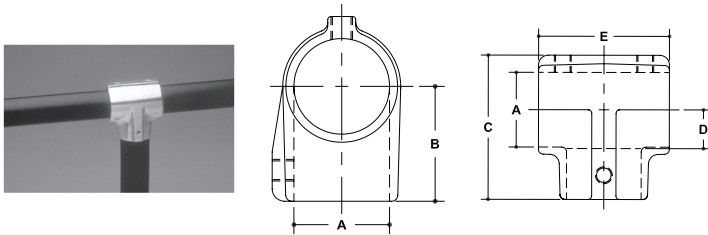


Item #	Description	Pipe Size	A	B	C	D	E	F
--------	-------------	-----------	---	---	---	---	---	---

ALUMINUM MAGNESIUM

08850	(24M-8) Universal Adapter Male Aluminum Magnesium 1-1/2" IPS	1-1/2"	1.90"	1.31"	1.25"	0.75"	2.18"	0.47"
-------	--	--------	-------	-------	-------	-------	-------	-------

5 TEE



Item #	Description	Pipe Size	A	B	C	D	E
--------	-------------	-----------	---	---	---	---	---

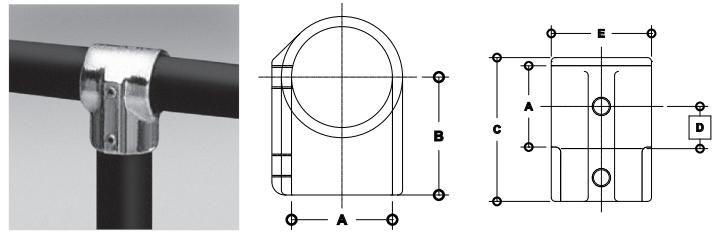
ALUMINUM MAGNESIUM FLAT BLACK

55BK-08040	Powder Coated - For 1-1/2" IPS	1-1/2"	1.93"	2.31"	3.72"	1.00"	3.38"
------------	--------------------------------	--------	-------	-------	-------	-------	-------

ALUMINUM MAGNESIUM

05040	(5-5) For 3/4" IPS	3/4"	1.07"	1.50"	2.34"	0.60"	2.00"
06040	(5-6) For 1" IPS	1"	1.34"	1.78"	2.83"	0.72"	2.38"
07040	(5-7) For 1-1/4" IPS	1-1/4"	1.68"	2.00"	3.22"	0.88"	2.75"
08040	(5-8) For 1-1/2" IPS	1-1/2"	1.93"	2.31"	3.72"	1.00"	3.38"
09040	(5-9) For 2" IPS	2"	2.40"	3.00"	4.64"	1.25"	3.88"
03080	(5-89) For 1-1/2" IPS	2" x 1-1/2"	2.40"	1.93"	3.00"	4.40"	1.06"

5E TEE-E



Item #	Description	Pipe Size	A	B	C	D	E
--------	-------------	-----------	---	---	---	---	---

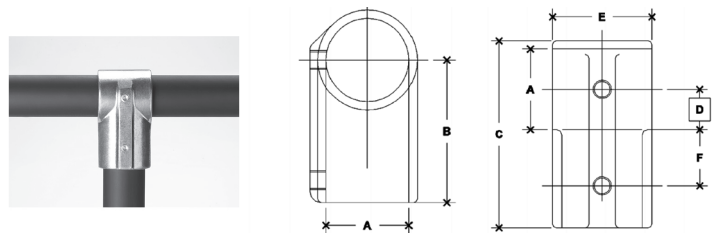
ALUMINUM MAGNESIUM FLAT BLACK

55BK-08060	Powder Coated - For 1-1/2" IPS	1-1/2"	1.93"	2.25"	3.41"	1.00"	2.31"
------------	--------------------------------	--------	-------	-------	-------	-------	-------

ALUMINUM MAGNESIUM

05060	(5E-5) For 3/4" IPS	3/4"	1.07"	1.53"	2.25"	0.60"	1.50"
06060	(5E-6) For 1" IPS	1"	1.34"	1.75"	2.63"	0.72"	1.75"
07060	(5E-7) For 1-1/4" IPS	1-1/4"	1.68"	2.00"	3.00"	0.88"	2.00"
08060	(5E-8) For 1-1/2" IPS	1-1/2"	1.93"	2.25"	3.41"	1.00"	2.31"

5EXT EXTENDED BARREL TEE

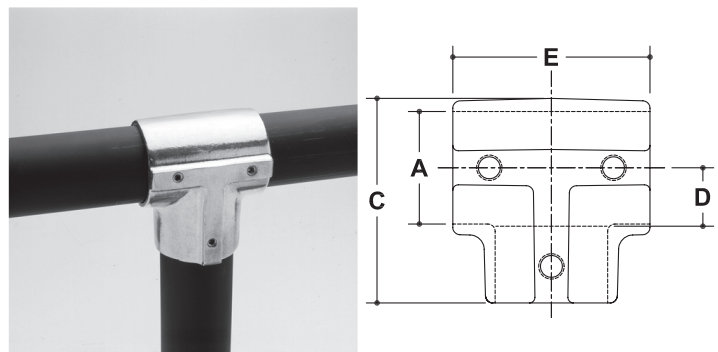


Item #	Description	Pipe Size
--------	-------------	-----------

ALUMINUM MAGNESIUM

08110	(5EXT-8) 5EXT Finish-Aluminum Magnesium Pipe Size-1-1/2" IPS (1.94" ID)	1-1/2"
-------	---	--------

5SR TEE SIDE RIB



Item #	Description	Pipe Size	A	B	C	D	E
--------	-------------	-----------	---	---	---	---	---

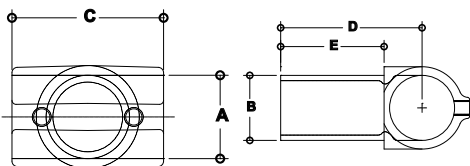
ALUMINUM MAGNESIUM

08070	(5SR-8) 1-1/2" IPS	1-1/2"	1.93"	2.31"	3.50"	1.00"	3.38"
09070	(5SR-9) For 2" IPS	2"	2.40"	3.00"	4.44"	1.25"	3.88"

5X TEE

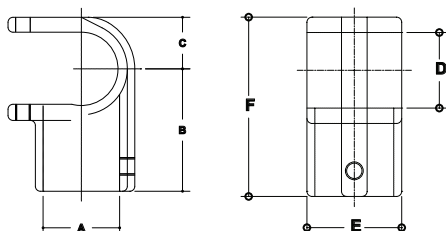
Item #	Description	Pipe Size
ALUMINUM MAGNESIUM		
09049	(5X-9) Tee Finish in Aluminum Magnesium for 2" IPS	2" IPS

30-B NU-RAIL SWIVEL



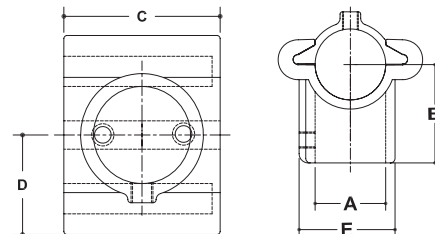
Item #	Description	Pipe Size	A	B	C	D	E
ALUMINUM MAGNESIUM							
05520	(30B-5) For 3/4" IPS	3/4"	1.07"	1.05"	2.50"	2.88"	2.19"
06520	(30B-6) For 1" IPS	1"	1.34"	1.32"	3.52"	3.50"	2.69"
07520	(30B-7) For 1-1/4" IPS	1-1/4"	1.68"	1.66"	3.50"	3.69"	2.69"
08520	(30B-8) For 1-1/2" IPS	1-1/2"	1.93"	1.90"	3.50"	4.19"	3.06"
09520	(30B-9) For 2" IPS	2"	2.40"	2.38"	4.00"	4.63"	3.25"

16 BOLT-ON TEE



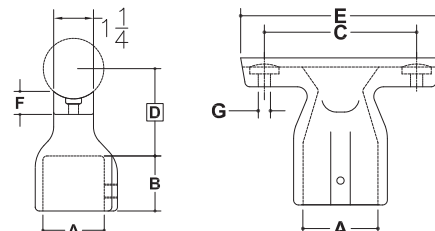
Item #	Description	Pipe Size	A	B	C	D	E	F
ALUMINUM MAGNESIUM								
07220	(16-7) For 1-1/4" IPS	1-1/4"	1.68"	2.78"	1.22"	1.59"	2.03"	4.00"
08220	(16-8) For 1-1/2" IPS	1-1/2"	1.93"	3.08"	1.30"	1.84"	2.31"	4.38"

2S MODULAR TEE



Item #	Description	Pipe Size	A	B	C	D	E
ALUMINUM MAGNESIUM							
15000	(2S-5) For 3/4" IPS	3/4"	1.07"	1.50"	2".00	1.10"	1.68"
17000	(2S-7) For 1-1/4" IPS	1-1/4"	1.68"	2.50"	2.59"	1.55"	2.25"
18000	(2S-8) For 1-1/2" IPS	1-1/2"	1.93"	2.68"	3.10"	1.97"	2.62"

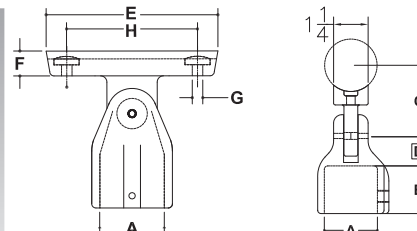
150 SPEED TEE



Item #	Description	Pipe Size	A	B	C	D	E	F
--------	-------------	-----------	---	---	---	---	---	---

ALUMINUM MAGNESIUM								
58500	(150-8) For 1-1/2" IPS	1-1/2"	1.93"	1.75"	3.88"	2.75"	5.13"	0.75"

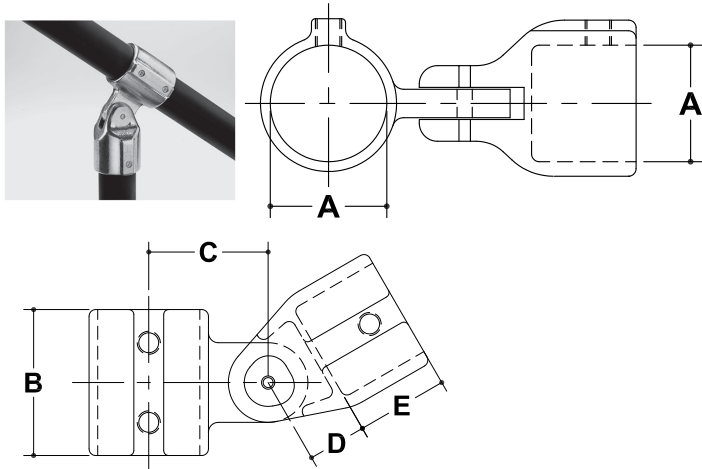
151 ADJUSTABLE SPEED TEE



Item #	Description	Pipe Size	A	B	C	D	E	F
--------	-------------	-----------	---	---	---	---	---	---

ALUMINUM MAGNESIUM								
58510	(151-8) For 1-1/2" IPS	1-1/2"	1.93"	1.75"	2.56"	1.06"	5.13"	0.75"

17 ADJ. ELBOW OR TEE ASSEMBLY

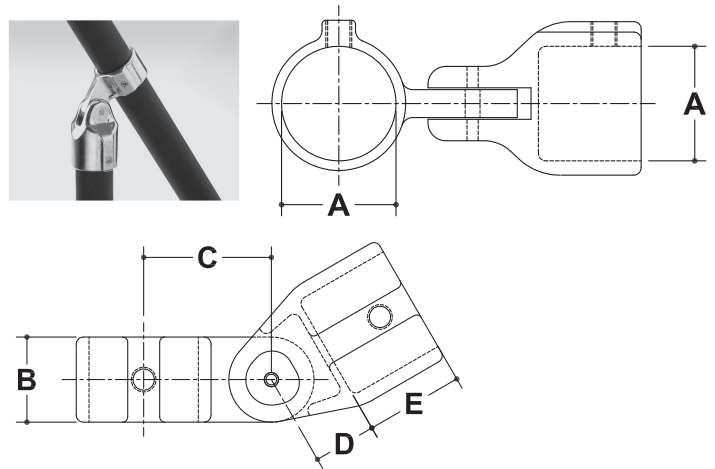


Item #	Description	Pipe Size	A	B	C	D	E
--------	-------------	-----------	---	---	---	---	---

ALUMINUM MAGNESIUM

04150	(17-97) For Male Part 2" IPS and Female Part 1-1/4" IPS	2" x 1-1/4"	2.41"	3.88"	2.63"	1.13"	2.13"
04230	(17-68) For Male Part 1-1/2" IPS and Female Part 1" IPS	1-1/2" x 1"	1.93"	2.75"	2.25"	1.11"	1.73"
17-89	(17-89) For Male Part 1-1/2" IPS and Female Part 2" IPS	1-1/2" x 2"	2.41"	3.88"	2.63"	1.11"	1.73"
05230	(17-75) For 3/4" IPS	3/4"	1.07"	2.00"	1.38"	0.97"	0.97"
06230	(17-76) For 1" IPS	1"	1.33"	2.00"	1.63"	0.86"	1.14"
07230	(17-77) For 1-1/4" IPS	1-1/4"	1.68"	2.38"	2.06"	1.13"	1.44"
01150	(17-76) For Male Part 1-1/4" IPS and Female Part 1" IPS	1-1/4" x 1"	1.68"	2.38"	2.06"	0.86"	1.14"
08230	(17-78) For 1-1/2" IPS	1-1/2"	1.93"	2.75"	2.25"	1.11"	1.73"
04160	(17-86) For Male Part 1-1/2" IPS and Female Part 1" IPS	1-1/2" x 1"	1.93"	2.75"	2.25"	1.11"	1.73"
02150	(17-87) For Male Part 1-1/2" IPS and Female Part 1-1/4" IPS	1-1/2" x 1-1/4"	1.93"	2.75"	2.25"	1.13"	1.44"
09230	(17-79) For 2" IPS	2"	2.41"	3.88"	2.63"	1.13"	2.13"
03150	(17-98) For Male Part 2" IPS and Female Part 1-1/2" IPS	2" x 1-1/2"	2.41"	3.88"	2.63"	1.11"	1.73"

17E ADJ. ELBOW OR TEE-E ASSEMBLY

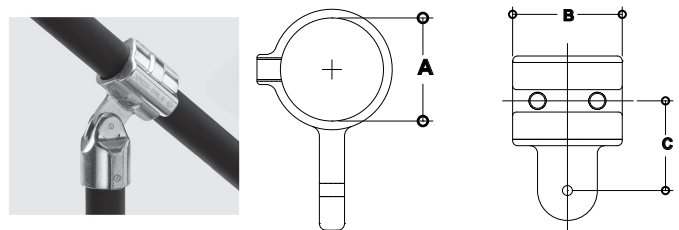


Item #	Description	Pipe Size	A	B	C	D	E
--------	-------------	-----------	---	---	---	---	---

ALUMINUM MAGNESIUM

05240	(17E-5) For 3/4" IPS	3/4"	1.07"	1.00"	1.44"	0.97"	0.97"
07240	(17E-7) For 1-1/4" IPS	1-1/4"	1.68"	1.50"	2.06"	1.13"	1.44"
08240	(17E-8) For 1-1/2" IPS	1-1/2"	1.93"	1.50"	2.25"	1.11"	1.73"

17S MODULAR ADJ. TEE ASSEMBLY

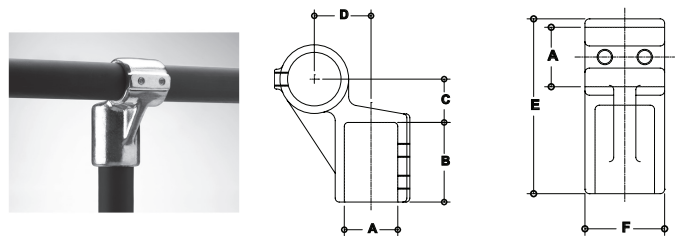


Item #	Description	Pipe Size	A	B	C
--------	-------------	-----------	---	---	---

ALUMINUM MAGNESIUM

18060	(17S-8) For 1-1/2" IPS	1-1/2"	1.93"	2.41"	3.10"
-------	------------------------	--------	-------	-------	-------

15 NU-RAIL OFFSET TEE

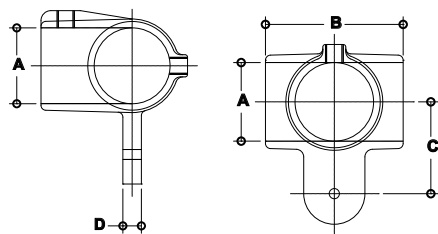


Item #	Description	Pipe Size	A	B	C	D	E	F
--------	-------------	-----------	---	---	---	---	---	---

ALUMINUM MAGNESIUM

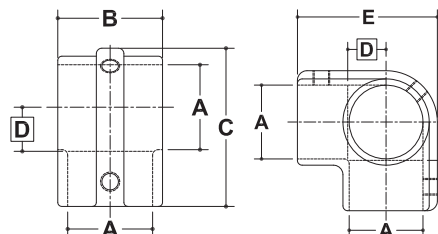
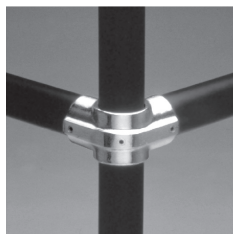
07210	(15-7) For 1-1/4" IPS	1-1/4"	1.68"	2.50"	1.36"	1.78"	4.94"	2.25"
-------	-----------------------	--------	-------	-------	-------	-------	-------	-------

25M ADJ. SIDE OUTLET OR TEE MALE



Item #	Description	Pipe Size	A	B	C	D
ALUMINUM MAGNESIUM						
05430	(25M-5) For 3/4" IPS	3/4"	1.07"	2.00"	1.31"	0.47"
06430	(25M-6) For 1" IPS	1"	1.34"	2.38"	1.63"	0.47"
07430	(25M-7) For 1-1/4" IPS	1-1/4"	1.68"	2.75"	1.94"	0.47"
08430	(25M-8) For 1-1/2" IPS	1-1/2"	1.93"	3.38"	2.25"	0.47"

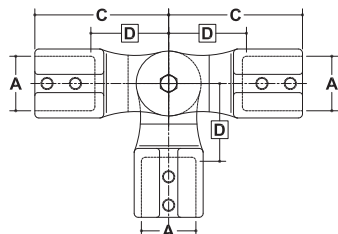
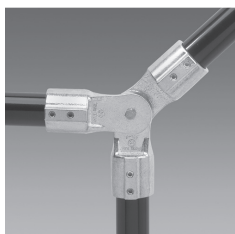
11E SIDE OUTLET TEE-E



Item #	Description	Pipe Size	A	B	C	D	E
ALUMINUM MAGNESIUM FLAT BLACK							
55BK-08150	Powder Coated - For 1-1/2" IPS	1-1/2"	1.93"	2.31"	3.63"	1.00"	3.63"

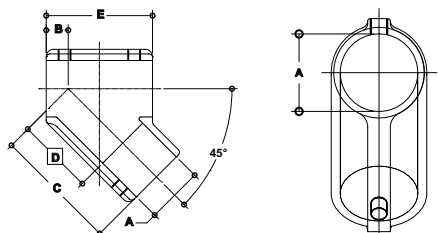
Item #	Description	Pipe Size	A	B	C	D	E
ALUMINUM MAGNESIUM							
05150	(11E-5) For 3/4" IPS	3/4"	1.07"	1.44"	2.41"	0.47"	2.41"
06150	(11E-6) For 1" IPS	1"	1.33"	1.72"	2.82"	0.73"	2.82"
07150	(11E-7) For 1-1/4" IPS	1-1/4"	1.68"	2.06"	3.22"	0.88"	3.22"
08150	(11E-8) For 1-1/2" IPS	1-1/2"	1.93"	2.31"	3.63"	1.00"	3.63"

32 SLOPING ADJUSTABLE TEE



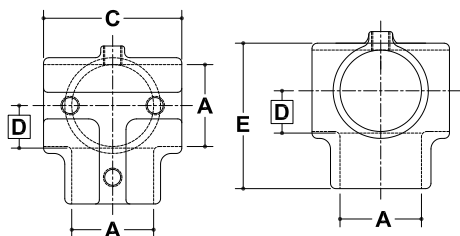
Item #	Description	Pipe Size	A	B	C	D
ALUMINUM MAGNESIUM						
07840	(32-7) For 1-1/4" IPS	1-1/4"	1.68"	0.38"	4.13"	2.40"

6 ANGLE TEE (45°)



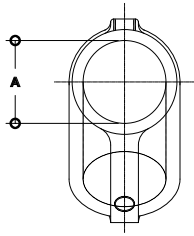
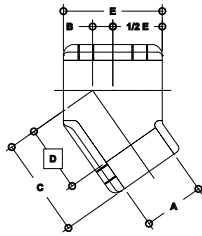
Item #	Description	Pipe Size	A	C	D	E
ALUMINUM MAGNESIUM						
07080	(6-7) For 1-1/4" IPS	1-1/4"	1.68"	3.75"	2.25"	3.19"
08080	(6-8) For 1-1/2" IPS	1-1/2"	1.93"	4.25"	2.63"	3.56"

11 SIDE OUTLET TEE



Item #	Description	Pipe Size	A	C	D	E
ALUMINUM MAGNESIUM						
05140	(11-5) For 3/4" IPS	3/4"	1.07"	2.00"	0.47"	2.34"
06140	(11-6) For 1" IPS	1"	1.33"	2.38"	0.73"	2.82"
07140	(11-7) For 1-1/4" IPS	1-1/4"	1.68"	2.75"	0.88"	3.22"
08140	(11-8) For 1-1/2" IPS	1-1/2"	1.93"	3.25"	1.00"	3.72"
09140	(11-9) For 2" IPS	2"	2.40"	3.88"	1.25"	4.68"

5AT ANGLE TEE (55°)

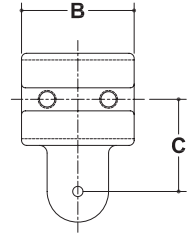
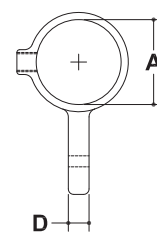
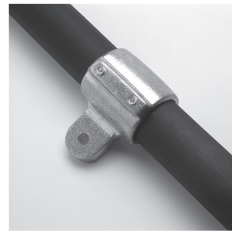


Item #	Description	Pipe Size	A	C	D	E
--------	-------------	-----------	---	---	---	---

ALUMINUM MAGNESIUM

05050	(5AT-5) For 3/4" IPS	3/4"	1.07"	1"00	2.00"	2.00"
06050	(5AT-6) For 1" IPS	1"	1.34"	1.25"	2.44"	2.38"
07050	(5AT-7) For 1-1/4" IPS	1-1/4"	1.68"	2.75"	1.85"	2.75"

17M ADJ. ELBOW OR TEE MALE BODY

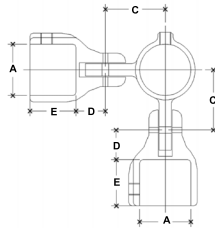
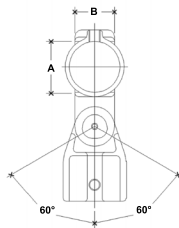


Item #	Description	Pipe Size	A	B	C	D
--------	-------------	-----------	---	---	---	---

ALUMINUM MAGNESIUM

05280	(17M-5) For 3/4" IPS	3/4"	1.07"	2.00"	1.38"	0.47"
06280	(17M-6) For 1" IPS	1"	1.33"	2.00"	1.63"	0.47"
07280	(17M-7) For 1-1/4" IPS	1-1/4"	1.68"	2.38"	2.06"	0.47"
08280	(17M-8) For 1-1/2" IPS	1-1/2"	1.93"	2.75"	2.25"	0.47"
09280	(17M-9) For 2" IPS	2"	2.40"	3.88"	2.63"	0.53"

27E DOUBLE ADJ. SIDE OUTLET TEE-E

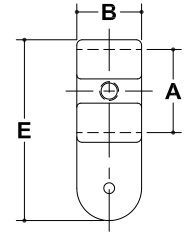
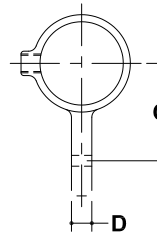


Item #	Description	Pipe Size	A	B	C	D	E
--------	-------------	-----------	---	---	---	---	---

ALUMINUM MAGNESIUM

08460	(27E-8) For 1-1/2" IPS	1-1/2"	1.93"	1.50"	2.25"	1.11"	1.73"
-------	------------------------	--------	-------	-------	-------	-------	-------

17EM ADJ. ELBOW OR TEE-E MALE BODY

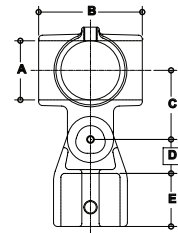
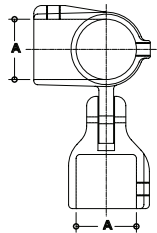


Item #	Description	Pipe Size	A	B	C	D	E
--------	-------------	-----------	---	---	---	---	---

ALUMINUM MAGNESIUM

05250	(17EM-5) For 3/4" IPS	3/4"	1.07"	1.00"	1.75"	0.47"	2.56"
07250	(17EM-7) For 1-1/4" IPS	1-1/4"	1.68"	1.50"	2.06"	0.47"	3.89"
08250	(17EM-8) For 1-1/2" IPS	1-1/2"	1.93"	1.50"	2.25"	0.47"	4.19"

25 SIDE OUTLET ADJ. ELBOW OR TEE

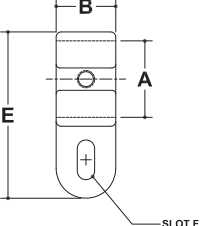
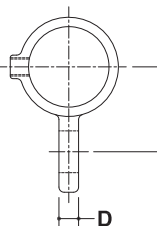


Item #	Description	Pipe Size	A	B	C	D	E
--------	-------------	-----------	---	---	---	---	---

ALUMINUM MAGNESIUM

05420	(25-5) For 3/4" IPS	3/4"	1.07"	2.00"	1.31"	0.41"	0.41"
06420	(25-6) For 1" IPS	1"	1.34"	2.38"	1.63"	0.80"	1.20"
07420	(25-7) For 1-1/4" IPS	1-1/4"	1.68"	2.75"	1.94"	1.13"	1.44"
08420	(25-8) For 1-1/2" IPS	1-1/2"	1.93"	3.38"	2.25"	1.11"	1.73"

17EMO ADJ. ELBOW OR TEE MALE/OVAL SLOT

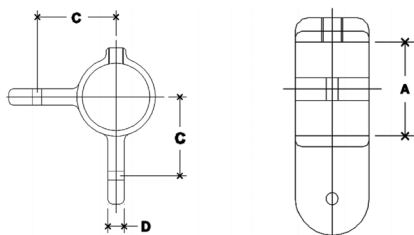


Item #	Description	Pipe Size	A	B	C	D	E
--------	-------------	-----------	---	---	---	---	---

ALUMINUM MAGNESIUM

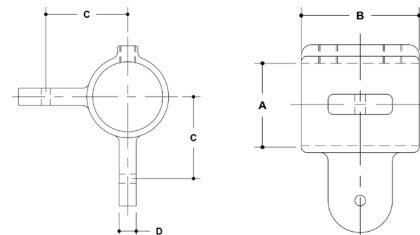
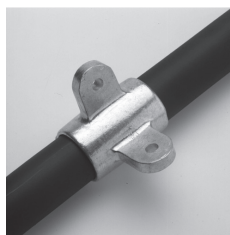
08260	(17EMO-8) For 1-1/2" IPS	1-1/2"	1.93"	1.50"	2.25"	0.47"	4.19"
-------	--------------------------	--------	-------	-------	-------	-------	-------

27EM DOUBLE ADJ. SIDE OUTLET TEE-E MALE



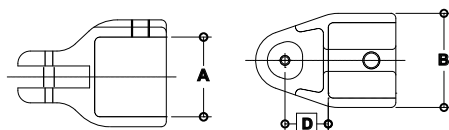
Item #	Description	Pipe Size	A	B	C	D
ALUMINUM MAGNESIUM						
08470	(27EM-8) For 1-1/2" IPS	1-1/2"	1.93"	1.50"	2.25"	0.47"

27M DOUBLE ADJ. SIDE OUTLET ELBOW OR TEE MALE BODY



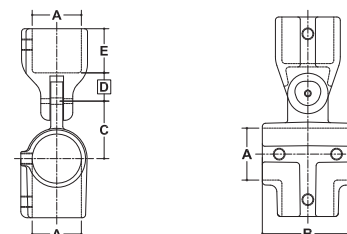
Item #	Description	Pipe Size	A	B	C	D
ALUMINUM MAGNESIUM						
05450	(27M-5) For 3/4" IPS	3/4"	1.07"	2.00"	1.31"	0.47"
06450	(27M-6) For 1" IPS	1"	1.34"	2.38"	1.63"	0.47"
07450	(27M-7) For 1-1/4" IPS	1-1/4"	1.68"	2.75"	1.94"	0.47"
08450	(27M-8) For 1-1/2" IPS	1-1/2"	1.93"	3.38"	2.25"	0.47"

17F ADJ. ELBOW OR TEE FEMALE BODY



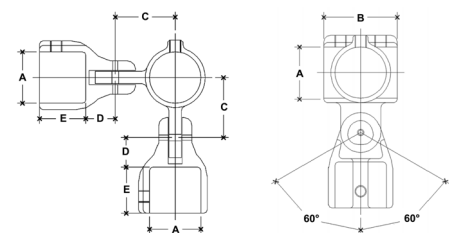
Item #	Description	Pipe Size	A	B	C
ALUMINUM MAGNESIUM					
05270	(17F-5) For 3/4" IPS	3/4"	1.07"	1.41"	0.41"
06270	(17F-6) For 1" IPS	1"	1.34"	1.78"	1.20"
07270	(17F-7) For 1-1/4" IPS	1-1/4"	1.68"	2.12"	1.13"
08270	(17F-8) For 1-1/2" IPS	1-1/2"	1.93"	2.41"	1.11"
09270	(17F-9) For 2" IPS	2"	2.40"	2.88"	1.13"

23 ADJ. TEE OR CROSS



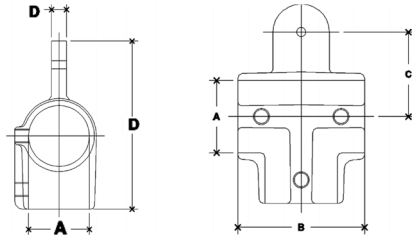
Item #	Description	Pipe Size	A	B	C	D	E
ALUMINUM MAGNESIUM							
05400	(23-5) For 3/4" IPS	3/4"	1.07"	2.00"	1.31"	0.41"	0.41"
06400	(23-6) For 1" IPS	1"	1.34"	2.38"	1.63"	0.80"	1.20"
07400	(23-7) For 1-1/4" IPS	1-1/4"	1.68"	2.75"	1.94"	1.13"	1.44"
08400	(23-8) For 1-1/2" IPS	1-1/2"	1.93"	3.38"	2.25"	1.11"	1.73"

27 DOUBLE ADJ. SIDE OUTLET ELBOW OR TEE ASSEMBLY



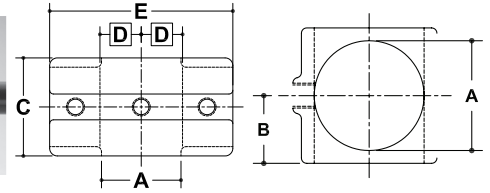
Item #	Description	Pipe Size	A	B	C	D	E
ALUMINUM MAGNESIUM							
05440	(27-5) For 3/4" IPS	3/4"	1.07"	2.00"	1.31"	.41"	.41"
06440	(27-6) For 1" IPS	1"	1.34"	2.38"	1.63"	.80"	1.20"
07440	(27-7) For 1-1/4" IPS	1-1/4"	1.68"	2.75"	1.94"	1.13"	1.44"
08440	(27-8) For 1-1/2" IPS	1-1/2"	1.93"	3.38"	2.25"	1.11"	1.73"

23M ADJ. TEE OR CROSS MALE



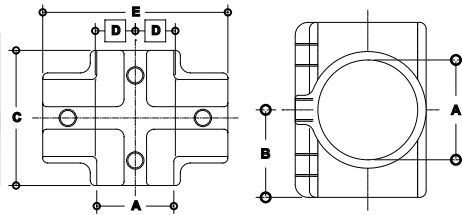
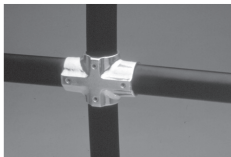
Item #	Description	Pipe Size	A	B	C	D
ALUMINUM MAGNESIUM						
05410	(23M-5) For 3/4" IPS	3/4"	1.07"	2.00"	1.31"	0.47"
06410	(23M-6) For 1" IPS	1"	1.34"	2.38"	1.63"	0.47"
07410	(23M-7) For 1-1/4" IPS	1-1/4"	1.68"	2.75"	1.94"	0.47"
08410	(23M-8) For 1-1/2" IPS	1-1/2"	1.93"	3.38"	2.25"	0.47"

7E CROSS-E



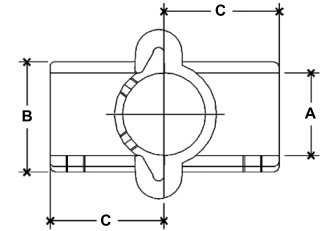
Item #	Description	Pipe Size	A	B	C	D	E
ALUMINUM MAGNESIUM FLAT BLACK							
55BK-08100	Powder Coated - For 1-1/2" IPS	1-1/2"	1.93"	1.16"	2.31"	1.00"	4.44"
ALUMINUM MAGNESIUM							
05100	(7E-5) For 3/4" IPS	3/4"	1.07"	0.72"	1.44"	0.58"	3.00"
06100	(7E-6) For 1" IPS	1"	1.33"	0.88"	1.75"	0.73"	3.50"
07100	(7E-7) For 1-1/4" IPS	1-1/4"	1.68"	1.03"	2.06"	0.88"	4.00"
08100	(7E-8) For 1-1/2" IPS	1-1/2"	1.93"	1.16"	2.31"	1.00"	4.44"

7 CROSS



Item #	Description	Pipe Size	A	B	C	D	E
ALUMINUM MAGNESIUM							
05090	(7-5) For 3/4" IPS	3/4"	1.07"	1.50"	2.00"	0.60"	3.00"
06090	(7-6) For 1" IPS	1"	1.34"	1.78"	2.38"	0.72"	3.56"
07090	(7-7) For 1-1/4" IPS	1-1/4"	1.68"	1.38"	2.75"	0.88"	4.00"
08090	(7-8) For 1-1/2" IPS	1-1/2"	1.93"	1.69"	3.38"	1.00"	4.63"
09090	(7-9) For 2" IPS	2"	2.40"	1.94"	3.88"	1.25"	6.00"
03090	(7-89) For 1-1/2" and 2" IPS	2" x 1-1/2"	2.40"	3.88"	1.93"	5.13"	1.00"

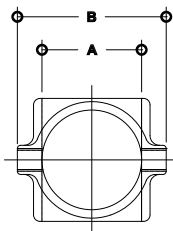
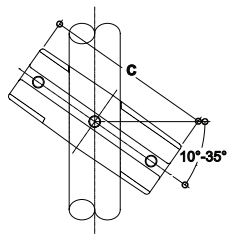
7S MODULAR CROSS ASSEMBLY



Item #	Description	Pipe Size	A	B	C
ALUMINUM MAGNESIUM					
18020	(7S-8) For 1-1/2" IPS	1-1/2"	1.93"	2.60"	2.67"

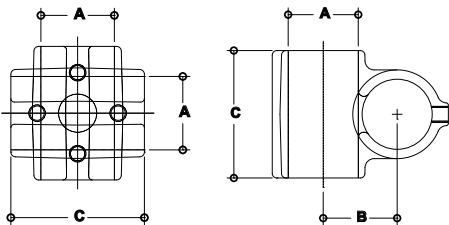


21-45 45 ADJ CROSS (30-45 DEG)



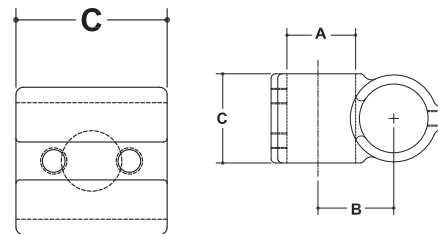
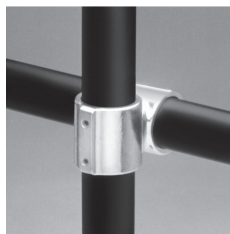
Item #	Description	Pipe Size	A	B	C
ALUMINUM MAGNESIUM					
07370	(21-45-7) For 1-1/4" IPS	1-1/4"	1.68"	2.44"	6.38"
08370	(21-45-8) For 1-1/2" IPS	1-1/2"	1.93"	2.81"	7.25"

10 OFFSET CROSS



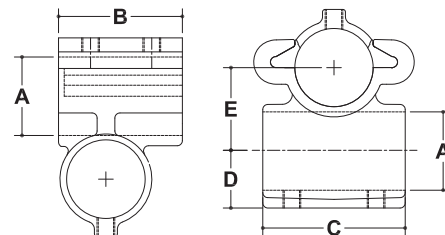
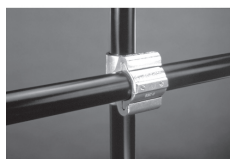
Item #	Description	Pipe Size	A	B	C
ALUMINUM MAGNESIUM					
05130	(10-5) For 3/4" IPS	3/4"	1.07"	1.19"	2.50"
06130	(10-6) For 1" IPS	1"	1.34"	1.44"	3.50"
00130	(10-56) For 3/4" IPS and 1" IPS	1" x 3/4"	1.34"	1.31"	3.00"
01130	(10-67) For 1" IPS and 1-1/4" IPS	1" x 1-1/4"	1.68"	1.61"	3.50"
07130	(10-7) For 1-1/4" IPS	1-1/4"	1.68"	1.78"	3.50"
02130	(10-78) For 1-1/4" IPS and 1-1/2" IPS	1-1/2" x 1-1/4"	1.93"	1.91"	3.50"
08130	(10-8) For 1-1/2" IPS	1-1/2"	1.93"	2.03"	3.50"
09130	(10-9) For 2" IPS	2"	2.40"	2.50"	4.00"
03130	(10-89) For 1-1/2" IPS and 2" IPS	2" x 1-1/2"	2.40"	2.27"	4.00"

12 SHORT BARREL CROSS



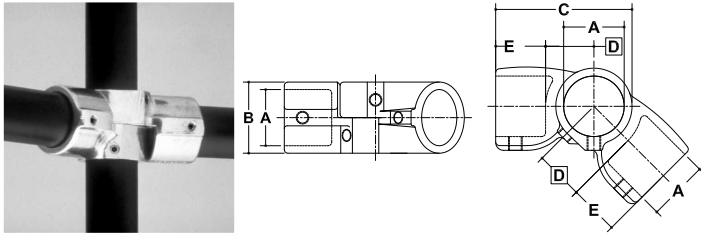
Item #	Description	Pipe Size	A	B	C
ALUMINUM MAGNESIUM					
05160	(12-5) For 3/4" IPS	3/4"	1.07"	1.19"	1.50"
06160	(12-6) For 1" IPS	1"	1.34"	1.44"	1.88"
07160	(12-7) For 1-1/4" IPS	1-1/4"	1.68"	1.78"	2.25"
08160	(12-8) For 1-1/2" IPS	1-1/2"	1.93"	2.03"	2.50"

14S MODULAR OFFSET CROSS ASSEMBLY



Item #	Description	Pipe Size	A	B	C	D	E
ALUMINUM MAGNESIUM							
16040	(14S-6) For 1" IPS	1"	1.34"	2.25"	2.50"	1.05"	1.44"
14040	(14S-67) For 1" IPS and 1-1/4" IPS	1" x 1-1/4"	1.34" x 1.68"	2.25" x 2.63"	2.5" x 3"	1.05" x 1.22"	1.44" x 1.74"
17040	(14S-7) For 1-1/4" IPS	1-1/4"	1.68"	2.63"	3.00"	1.22"	1.78"
18040	(14S-8) For 1-1/2" IPS	1-1/2"	1.93"	3.00"	3.50"	1.40"	2.03"

30-C NU-RAIL ADJ. SWIVEL

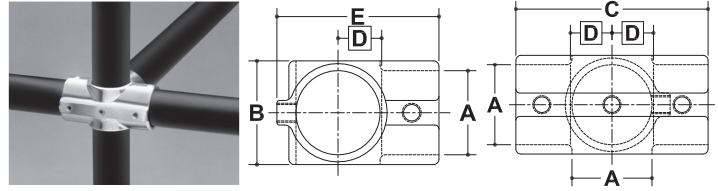


Item #	Description	Pipe Size	A	B	C	D	E
--------	-------------	-----------	---	---	---	---	---

ALUMINUM MAGNESIUM

05530	(30C-5) For 3/4" IPS	3/4"	1.06"	1.50"	2.56"	0.78"	0.94"
06530	(30C-6) For 1" IPS	1"	1.33"	1.75"	3.31"	1.06"	1.25"
07530	(30C-7) For 1-1/4" IPS	1-1/4"	1.68"	2.13"	3.88"	1.34"	1.44"
08530	(30C-8) For 1-1/2" IPS	1-1/2"	1.93"	2.44"	4.38"	1.50"	1.63"
09530	(30C-9) For 2" IPS	2"	2.40"	2.94"	4.97"	1.75"	1.75"

13E SIDE OUTLET CROSS-E



Item #	Description	Pipe Size	A	B	C	D	E
--------	-------------	-----------	---	---	---	---	---

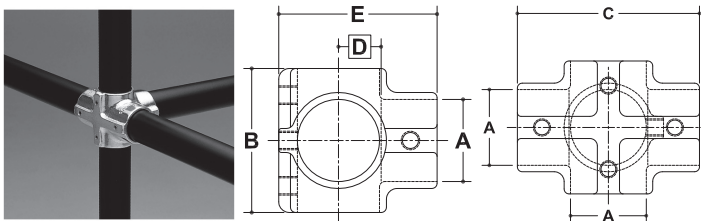
ALUMINUM MAGNESIUM FLAT BLACK

55BK-06180	For 1" IPS	1"	1.34"	1.63"	3.56"	0.72"	2.83"
------------	------------	----	-------	-------	-------	-------	-------

ALUMINUM MAGNESIUM

06180	(13E-6) For 1" IPS	1"	1.34"	1.63"	3.56"	0.72"	2.83"
07180	(13E-7) For 1-1/4" IPS	1-1/4"	1.68"	2.06"	4.00"	0.88"	3.22"
08180	(13E-8) For 1-1/2" IPS	1-1/2"	1.93"	2.31"	4.63"	1.00"	3.63"

13 SIDE OUTLET CROSS

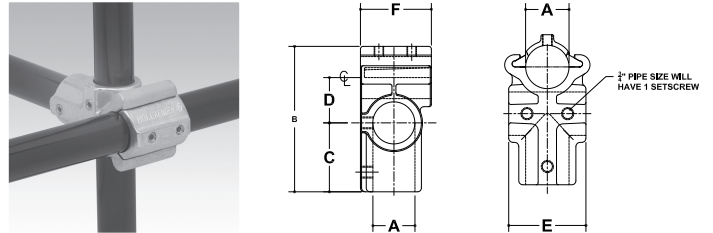


Item #	Description	Pipe Size	A	B	C	D	E
--------	-------------	-----------	---	---	---	---	---

ALUMINUM MAGNESIUM

05170	(13-5) For 3/4" IPS	3/4"	1.07"	2.00"	3.00"	0.50"	2.34"
06170	(13-6) For 1" IPS	1"	1.34"	2.38"	3.56"	0.72"	2.83"
07170	(13-7) For 1-1/4" IPS	1-1/4"	1.68"	2.75"	4.00"	0.88"	3.22"
08170	(13-8) For 1-1/2" IPS	1-1/2"	1.93"	3.38"	4.63"	1.00"	3.69"

104S MODULAR SIDE OUTLET CROSS

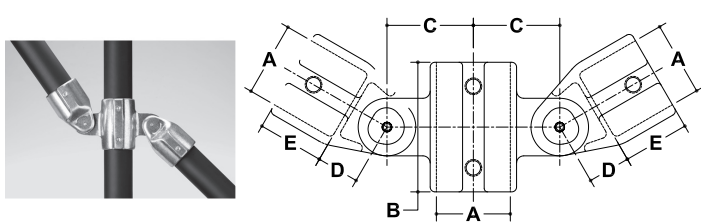


Item #	Description	Pipe Size	A	B	C	D	E	F
--------	-------------	-----------	---	---	---	---	---	---

ALUMINUM MAGNESIUM

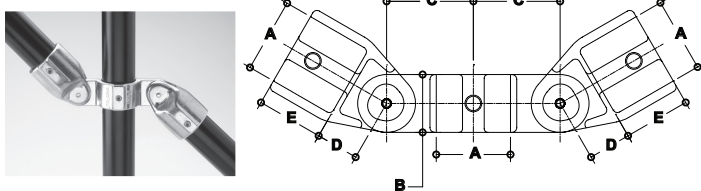
15240	For 3/4" IPS	3/4"	1.07"	3.69"	1.78"	1.19"	1.44"	2.00"
16200	(104S-6) For 1" IPS	1"	1.34"	4.61"	2.18"	1.44"	2.38"	2.25"

19 ADJ. CROSS ASSEMBLY



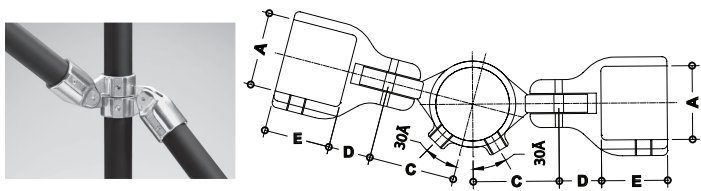
Item #	Description	Pipe Size	A	B	C	D	E	F
ALUMINUM MAGNESIUM								
05330	(19-5) For 3/4" IPS	3/4"	1.07"	2.00"	1.31"	0.97"	0.97"	n/a
06330	(19-6) For 1" IPS	1"	1.33"	2.38"	1.63"	0.86"	1.14"	n/a
07330	(19-7) For 1-1/4" IPS	1-1/4"	1.68"	2.75"	1.94"	1.13"	1.44"	n/a
08330	(19-8) For 1-1/2" IPS	1-1/2"	1.93"	3.38"	2.25"	1.11"	1.73"	n/a
09330	(19-9) For 2" IPS	2"	2.40"	3.88"	2.63"	1.25"	2.13"	n/a
03170	(19-98) For 1-1/2" IPS and 2" IPS	2" x 1-1/2"	2.40"	3.88"	2.63"	1.11"	1.73"	1.93"

19E ADJ. CROSS-E



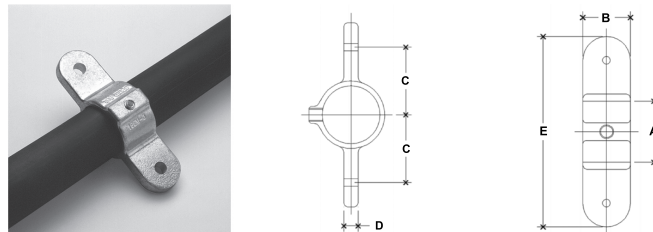
Item #	Description	Pipe Size	A	B	C	D	E
ALUMINUM MAGNESIUM							
08300	(19E-8) For 1-1/2" IPS	1-1/2"	1.93"	1.50"	2.25"	1.11"	1.73"

31 2-DIMENSIONAL ADJ. CROSS



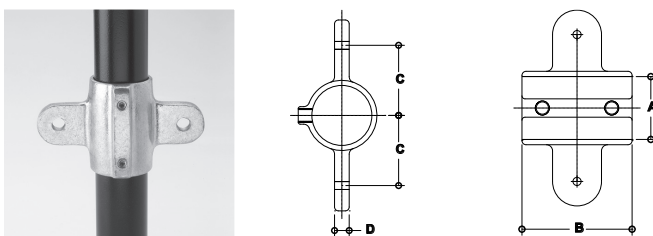
Item #	Description	Pipe Size	A	B	C	D	E
ALUMINUM MAGNESIUM							
08540	(31-8) For 1-1/2" IPS	1-1/2"	1.93"	1.38"	2.25"	1.11"	1.73"

19EM ADJ. CROSS MALE BODY-E



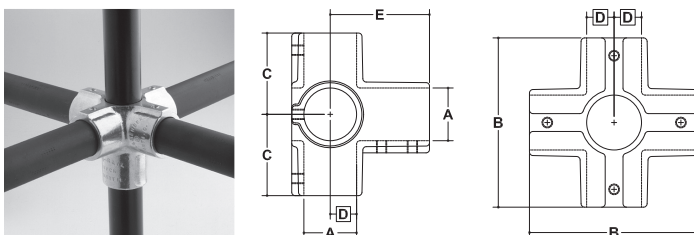
Item #	Description	Pipe Size	A	B	C	D	E
ALUMINUM MAGNESIUM							
08310	(19EM-8) For 1-1/2" IPS	1-1/2"	1.93"	1.50"	2.25"	0.47"	6.00"

19M ADJ. CROSS MALE BODY



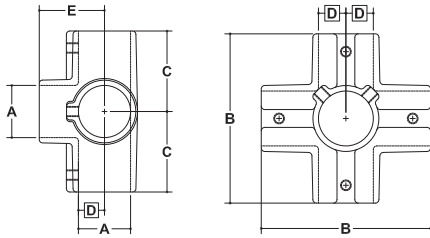
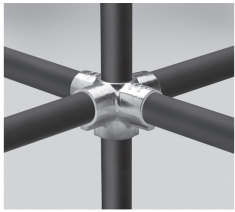
Item #	Description	Pipe Size	A	B	C	D
ALUMINUM MAGNESIUM						
05340	(19M-5) For 3/4" IPS	3/4"	1.07"	2.00"	1.31"	0.47"
06340	For 1" IPS	1"	1.33"	2.38"	1.63"	0.47"
07340	(19M-7) For 1-1/4" IPS	1-1/4"	1.68"	2.75"	1.94"	0.47"
08340	(19M-8) For 1-1/2" IPS	1-1/2"	1.93"	3.38"	2.25"	0.47"
09340	(19M-9) For 2" IPS	2"	2.40"	3.88"	2.63"	0.53"

106 DBL. SIDE OUTLET CROSS



Item #	Description	Pipe Size	A	B	C	D	E
ALUMINUM MAGNESIUM							
05760	(106-5) For 3/4" IPS	3/4"	1.07"	3.56"	1.78"	0.56"	2.34"
06760	(106-6) For 1" IPS	1"	1.34"	4.35"	2.17"	0.69"	2.84"
07760	(106-7) For 1-1/4" IPS	1-1/4"	1.68"	5.19"	2.59"	0.88"	3.00"
08760	(106-8) For 1-1/2" IPS	1-1/2"	1.93"	5.94"	2.97"	1.00"	3.63"

106E DBL. SIDE OUTLET CROSS-E

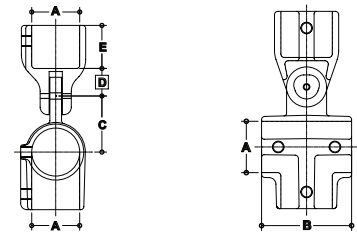


Item #	Description	Pipe Size	A	B	C	D	E
--------	-------------	-----------	---	---	---	---	---

ALUMINUM MAGNESIUM

06770	(106E-6) For 1" IPS	1"	1.34"	4.35"	2.17"	0.69"	2.84"
07770	(106E-7) For 1-1/4" IPS	1-1/4"	1.68"	5.19"	2.59"	0.88"	2.21"
08770	(106E-8) For 1-1/2" IPS	1-1/2"	1.93"	1.94"	2.97"	1.00"	2.41"

23S MODULAR ADJ. CROSS

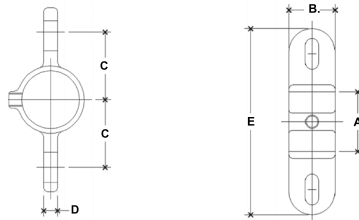


Item #	Description	Pipe Size	A	B	C	D	E
--------	-------------	-----------	---	---	---	---	---

ALUMINUM MAGNESIUM

18140	(23S-8) For 1-1/2" IPS	1-1/2"	1.92"	2.41"	4.00"	1.11"	1.73"
-------	------------------------	--------	-------	-------	-------	-------	-------

19EMO ADJ. CROSS MALE-E/OVAL SLOT

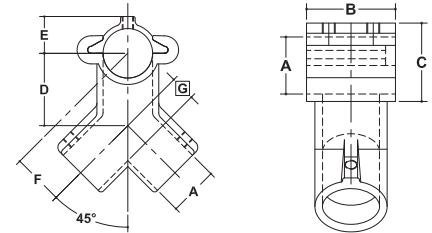


Item #	Description	Pipe Size	A	B	C	D	E
--------	-------------	-----------	---	---	---	---	---

ALUMINUM MAGNESIUM

08320	(19EMO-8) For 1-1/2" IPS	1-1/2"	1.93"	1.50"	2.25"	0.47"	6.00"
-------	--------------------------	--------	-------	-------	-------	-------	-------

22S MOD. CROSS ELBOW ASSEMBLY

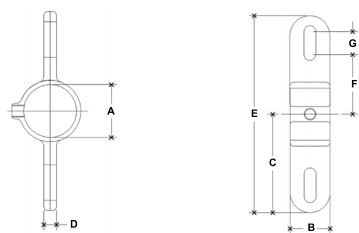


Item #	Description	Pipe Size	A	B	C	D	E	F + G
--------	-------------	-----------	---	---	---	---	---	-------

ALUMINUM MAGNESIUM

17120	(22S-7) For 1-1/4" IPS	1-1/4"	1.68"	2.60"	2.52"	2.69"	1.38"	1.87" + 0.75"
18120	(22S-8) For 1-1/2" IPS	1-1/2"	1.93"	3.00"	2.64"	2.81"	1.43"	2.00" + 1"

19MA DOUBLE EXTENDED TAB

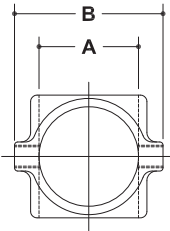
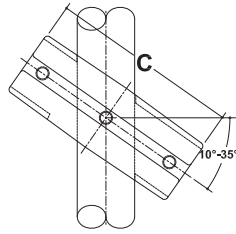


Item #	Description	Pipe Size	A	B	C	D	E	F + G
--------	-------------	-----------	---	---	---	---	---	-------

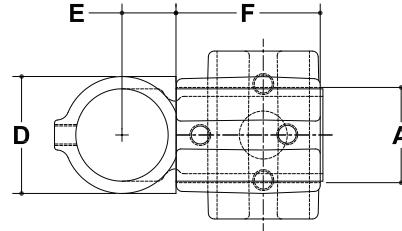
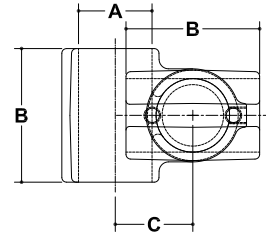
ALUMINUM MAGNESIUM

08970	(19MA-8) For 1-1/2" IPS	1-1/2"	1.93"	1.50"	3.66"	0.51"	7.31"	2.27" + 0.855"
-------	-------------------------	--------	-------	-------	-------	-------	-------	----------------

21 35 ADJ. CROSS (100-350)



30 NU-RAIL ADJ. CROSS



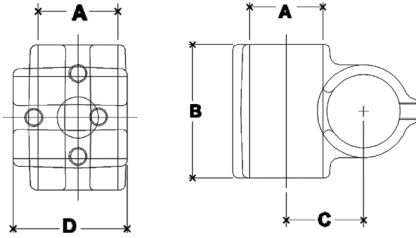
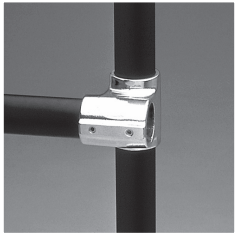
Item #	Description	Pipe Size	A	B	C
ALUMINUM MAGNESIUM					
06360	(21-6) For 1" IPS	1"	1.33"	2.09"	4.81"
07360	(21-7) For 1-1/4" IPS	1-1/4"	1.68"	2.44"	5.50"
08360	(21-8) For 1-1/2" IPS	1-1/2"	1.93"	2.81"	6.38"

Item #	Description	Pipe Size	A	B	C	D	E	F
ALUMINUM MAGNESIUM								
05500	(30-5) For 3/4" IPS	3/4"	1.07"	2.25"	1.19"	1.40"	0.69"	2.25"
06500	(30-6) For 1" IPS	1"	1.34"	2.75"	1.44"	1.78"	0.83"	2.25"
00500	(30-56) Reducing For 1" IPS and 3/4" IPS	1" x 3/4"	1.34"	1.07"	3.00"	2.25"	1.31"	0.69"
01500	(30-67) Reducing For 1" IPS and 1-1/4" IPS	1" x 1-1/4"	1.68"	1.34"	3.50"	2.75"	1.61"	0.83"
07500	(30-7) For 1-1/4" IPS	1-1/4"	1.68"	3.50"	1.81"	2.16"	1.00"	2.75"
08500	(30-8) For 1-1/2" IPS	1-1/2"	1.92"	3.50"	2.03"	2.44"	1.13"	2.75"
09500	(30-9) For 2" IPS	2"	2.40"	4.00"	2.50"	2.97"	1.38"	3.31"
03500	(30-89) Reducing For 2" IPS and 1-1/2" IPS	2" x 1-1/2"	2.40"	1.93"	4.00"	3.13"	2.25"	1.13"

HOLLAENDER SPEED RAIL SYSTEM

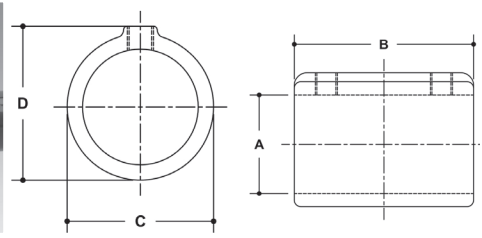
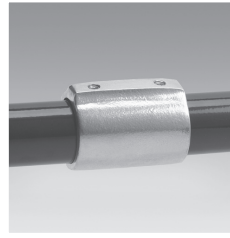


30A NU-RAIL MODIFIED CROSS



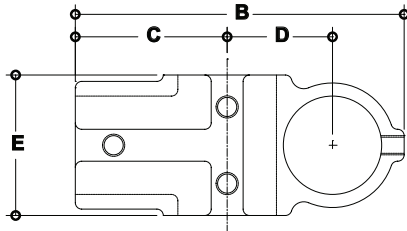
Item #	Description	Pipe Size	A	B	C	D
ALUMINUM MAGNESIUM						
05510	(30-A-5) For 3/4" IPS	3/4"	1.07"	2.25"	1.19"	2.25"
06510	(30-A-6) For 1" IPS	1"	1.34"	2.75"	1.44"	2.75"
00510	(30A-56) Reducing for 1" IPS and 3/4" IPS	1" x 3/4"	1.34"	3.00"	1.07"	2.25"
01510	(30A-67) Reducing for 1" IPS and 1-1/4" IPS	1" x 1-1/4"	1.68"	3.50"	1.34"	2.75"
07510	(30-A-7) For 1-1/4" IPS	1-1/4"	1.68"	3.50"	1.81"	2.75"
08510	(30-A-8) For 1-1/2" IPS	1-1/2"	1.93"	3.50"	2.03"	2.75"
09510	(30-A-9) For 2" IPS	2"	2.40"	4.00"	2.50"	3.31"
03510	(30A-89) Reducing for 2" IPS and 1-1/2" IPS	2" x 1-1/2"	2.40"	4.00"	1.93"	3.13"

70 EXTERNAL COUPLING



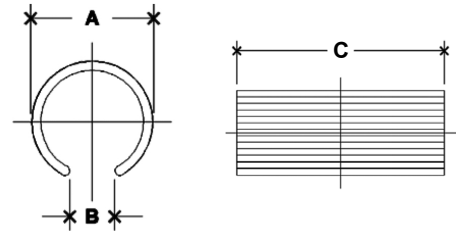
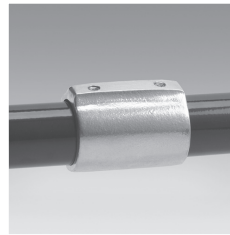
Item #	Description	Pipe Size	A	B	C	D
ALUMINUM MAGNESIUM FLAT BLACK						
55BK-08630	Powder Coated - For 1-1/2" IPS	1-1/2"	1.93"	3.50"	1.78"	1.94"
ALUMINUM MAGNESIUM						
05630	(70-5) For 3/4" IPS	3/4"	1.07"	2.50"	1.41"	1.55"
06630	(70-6) For 1" IPS	1"	1.33"	3.50"	1.78"	1.94"
07630	(70-7) For 1-1/4" IPS	1-1/4"	1.68"	3.50"	2.31"	2.44"
08630	(70-8) For 1-1/2" IPS	1-1/2"	1.93"	3.50"	1.78"	1.94"
09630	(70-9) For 2" IPS	2"	2.40"	4.06"	2.97"	3.16"

104 SIDE OUTLET CROSS



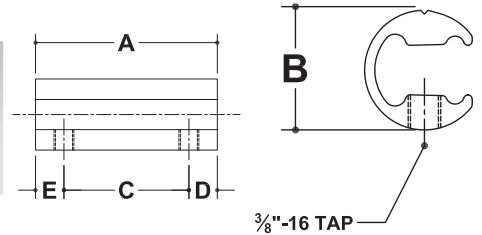
Item #	Description	Pipe Size	A	B	C	D	E
ALUMINUM MAGNESIUM							
05750	(104-5) For 3/4" IPS	3/4"	1.07"	3.81"	1.78"	1.19"	1.44"
06750	(104-6) For 1" IPS	1"	1.34"	4.63"	2.13"	1.44"	2.38"
07750	(104-7) For 1-1/4" IPS	1-1/4"	1.68"	5.63"	2.59"	1.81"	2.38"
08750	(104-8) For 1-1/2" IPS	1-1/2"	1.93"	6.44"	2.97"	2.06"	2.75"

70E INTERNAL COUPLING (FRICTION FIT)



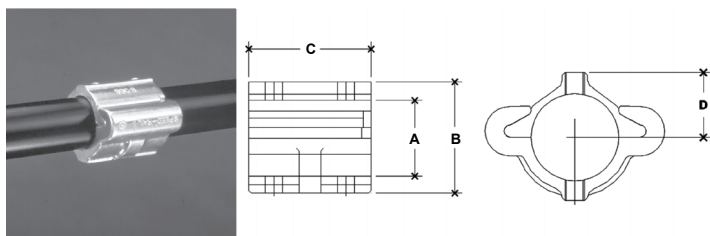
Item #	Description	Pipe Size	A	B	C
ALUMINUM MAGNESIUM					
07640	(70E-7) For 1-1/4" IPS	1-1/4"	1.40"	0.63"	4.00"
08640	(70E-8) For 1-1/2" IPS	1-1/2"	1.64"	0.63"	4.00"

70ES INTERNAL LOCKING SPLICE



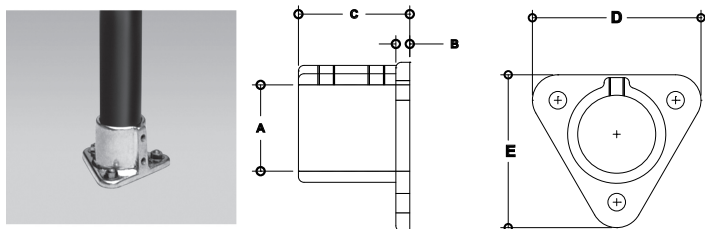
Item #	Description	LEN	Pipe Size	A	B	C	D
ALUMINUM MAGNESIUM							
07655	For 1-1/4" IPS	4"	1-1/4" IPS	4.00"	1.35"	2.75"	0.63"
08655	For 1-1/2" IPS	4"	1-1/2" IPS	4.00"	1.56"	2.75"	0.63"
09655	For 2" IPS	4"	2" IPS	4.00"	2.00"	2.75"	0.63"

70S MODULAR EXTERNAL COUPLING



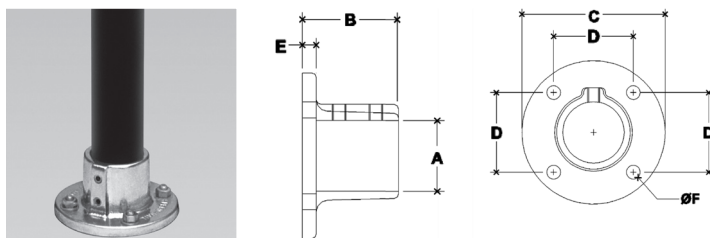
Item #	Description	Pipe Size	A	B	C	D
ALUMINUM MAGNESIUM						
18170	(70S-8) For 1-1/2" IPS	1-1/2"	1.93"	3.00"	3.10"	1.40"

40 TRIANGULAR FLANGE



Item #	Description	Pipe Size	A	B	C	D	E
ALUMINUM MAGNESIUM							
25010	(40-5) For 3/4" IPS	3/4"	1.07"	0.19"	1.50"	2.50"	2.25"
26010	(40-6) For 1" IPS	1"	1.34"	0.25"	1.75"	3.19"	2.88"
27020	(40-7) For 1-1/4" IPS	1-1/4"	1.68"	0.25"	1.75"	3.88"	3.50"
28020	(40-8) For 1-1/2" IPS	1-1/2"	1.93"	0.31"	2.50"	4.19"	3.81"

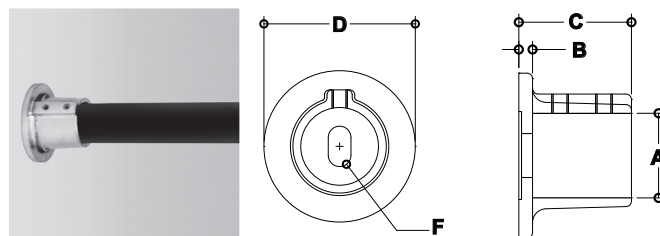
42 ROUND BASE FLANGE



Item #	Description	Pipe Size	A	B	C	D	E	F
ALUMINUM MAGNESIUM FLAT BLACK								
55BK-28090	Powder Coated - For 1-1/2" IPS	1-1/2"	1.93"	2.31"	4.50"	2.50"	0.38"	0.44"

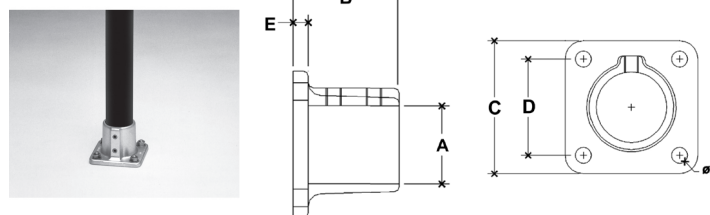
Item #	Description	Pipe Size	A	B	C	D	E	F
ALUMINUM MAGNESIUM								
25080	(42-5) For 3/4" IPS	3/4"	1.07"	1.75"	2.50"	2.00"	0.25"	0.19"
26080	(42-6) For 1" IPS	1"	1.34"	2.13"	3.00"	2.38"	0.31"	0.25"
27090	(42-7) For 1-1/4" IPS	1-1/4"	1.68"	2.13"	4.50"	2.50"	0.38"	0.44"
28090	(42-8) For 1-1/2" IPS	1-1/2"	1.93"	2.31"	4.50"	2.50"	0.38"	0.44"

43 ROUND WALL FLANGE



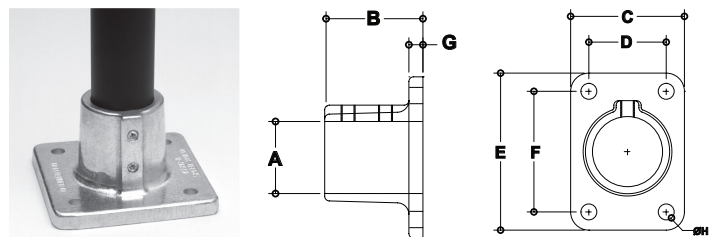
Item #	Description	Pipe Size	A	B	C	D	F
ALUMINUM MAGNESIUM							
25100	(43-5) For 3/4" IPS	3/4"	1.07"	0.25"	1.75"	3.00"	0.44"
26100	(43-6) For 1" IPS	1"	1.34"	0.31"	2.13"	2.50"	0.47 x 0.88"

45 SQUARE FLOOR FLANGE



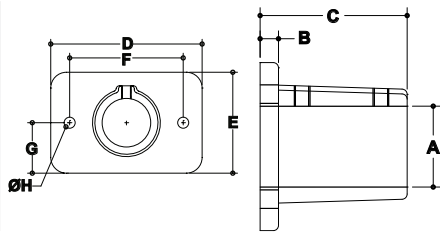
Item #	Description	Pipe Size	A	B	C	D	E	F
ALUMINUM MAGNESIUM								
25120	(45-5) For 3/4" IPS	3/4"	1.07"	1.50"	2.63"	1.75"	0.25"	0.31"
26120	(45-6) For 1" IPS	1"	1.34"	1.81"	3.00"	2.06"	0.25"	0.31"
27130	(45-7) For 1-1/4" IPS	1-1/4"	1.68"	2.19"	3.34"	2.38"	0.31"	0.44"
28130	(45-8) For 1-1/2" IPS	1-1/2"	1.93"	2.53"	3.63"	2.63"	0.31"	0.44"

45SBC SQUARE BASE FLANGE



Item #	Description	Pipe Size	A	B	C	D	E	F
ALUMINUM MAGNESIUM FLAT BLACK								
55BK-28470	Powder Coated - For 1-1/2" IPS	1-1/2"	1.93"	0.50"	3.00"	5.00"	3.50"	0.44"
ALUMINUM MAGNESIUM								
28470	(45SBC-8) For 1-1/2" IPS	1-1/2"	1.93"	0.50"	3.00"	5.00"	3.50"	0.44"

45SBCS SQUARE BASE FLOOR FLANGE (1:12 SLOPE)

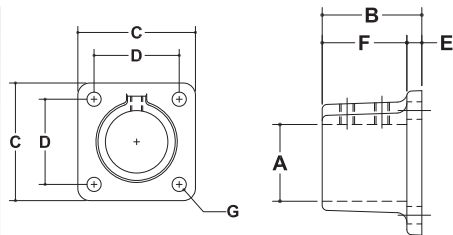


Item #	Description	Pipe Size	A	B	C	D	E	F
--------	-------------	-----------	---	---	---	---	---	---

ALUMINUM MAGNESIUM

28480	(45SBCS-8) For 1-1/2" IPS	1-1/2"	1.93"	0.50"	3.00"	5.00"	3.50"	1.12"
-------	---------------------------	--------	-------	-------	-------	-------	-------	-------

45CE SQUARE FLANGE CLOSED END

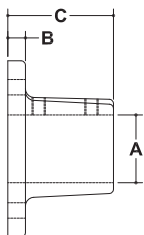
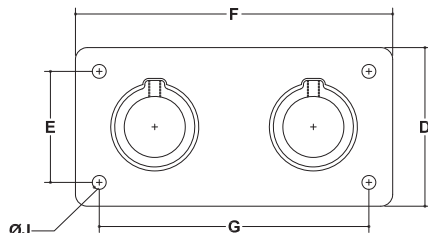


Item #	Description	Pipe Size	A	B	C	D	E	F
--------	-------------	-----------	---	---	---	---	---	---

ALUMINUM MAGNESIUM

31830	For 1-1/4" IPS	1-1/4"	1.68"	2.19"	3.34"	2.38"	0.31"	1.88"
31840	For 1-1/2" IPS	1-1/2"	1.93"	2.50"	3.63"	2.63"	0.38"	2.13"

45D DUAL BARREL FLANGE

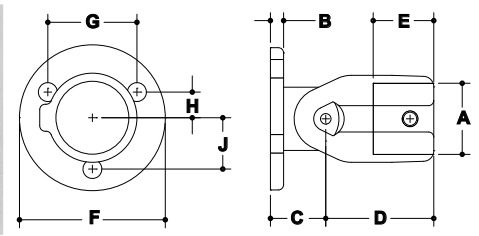


Item #	Description	Pipe Size	A	B	C	D
--------	-------------	-----------	---	---	---	---

ALUMINUM MAGNESIUM

28670	(45D-8) For 1-1/2" IPS	1-1/2"	1.93"	0.50"	3.00"	5.00"
-------	------------------------	--------	-------	-------	-------	-------

41 ADJ. FLANGE (WALL ONLY)

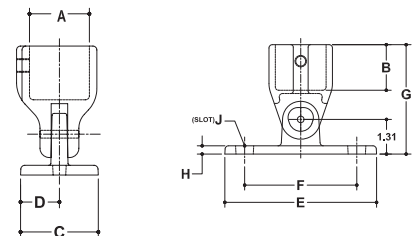


Item #	Description	Pipe Size	A	B	C	D	E	F
--------	-------------	-----------	---	---	---	---	---	---

ALUMINUM MAGNESIUM

25040	(41-5) For 3/4" IPS	3/4"	1.07"	0.25"	1.19"	1.94"	0.97"	2.88"
26040	(41-6) For 1" IPS	1"	1.34"	0.25"	1.19"	2.00"	1.19"	2.88"
27050	(41-7) For 1-1/4" IPS	1-1/4"	1.68"	0.31"	1.31"	2.50"	1.56"	3.38"
28050	(41-8) For 1-1/2" IPS	1-1/2"	1.93"	0.31"	1.31"	2.81"	1.69"	3.38"

41RSP SOLAR TOP MOUNT

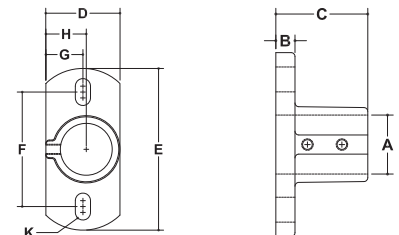


Item #	Description	Pipe Size	A	B	C	E	G	H
--------	-------------	-----------	---	---	---	---	---	---

ALUMINUM MAGNESIUM

07960	(41RSP-7) For 1-1/4" IPS	1-1/4"	1.68"	1.44"	2.50"	5.75"	3.88"	0.31"
08960	(41RSP-8) For 1-1/2" IPS	1-1/2"	1.93"	1.73"	2.50"	5.75"	4.16"	0.31"
09940	(41RSP-9) For 2" IPS	2"	2.40"	2.13"	2.50"	5.75"	4.56"	0.31"

46 BASE FLANGE

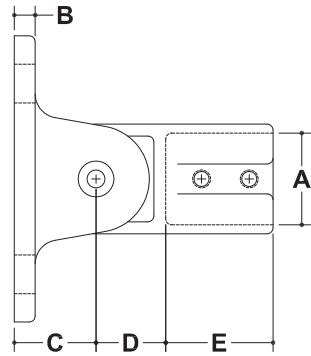


Item #	Description	Pipe Size	A	B	C	D	E	F
--------	-------------	-----------	---	---	---	---	---	---

ALUMINUM MAGNESIUM

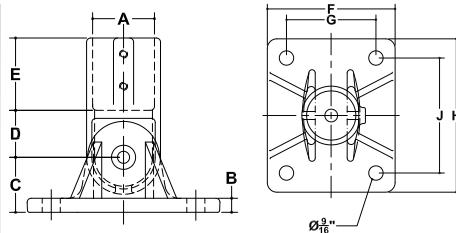
26140	(46-6) For 1" IPS	1"	1.34"	0.28"	1.41"	2.38"	3.50"	2.63"
27140	(46-7) For 1-1/4" IPS	1-1/4"	1.68"	0.38"	2.19"	2.50"	5.75"	4.25"
28140	(46-8) For 1-1/2" IPS	1-1/2"	1.93"	0.63"	3.00"	2.75"	6.00"	4.25"

46ADJ ADJ. FLANGE



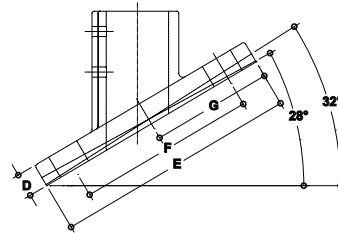
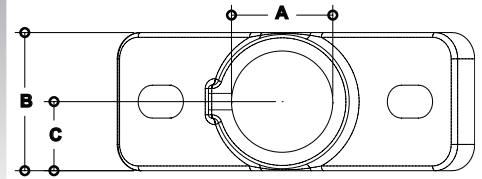
Item #	Description	Pipe Size	A	B	C	D	E
ALUMINUM MAGNESIUM							
27150	(46ADJ-7) For 1-1/4" IPS	1-1/4"	1.68"	0.44"	1.69"	1.44"	2.25"
28150	(46ADJ-8) For 1-1/2" IPS	1-1/2"	1.93"	0.44"	1.69"	1.44"	2.25"

46AHD HEAVY DUTY ADJUSTABLE BASE FLANGE



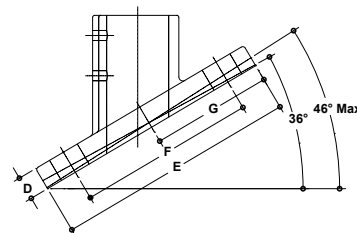
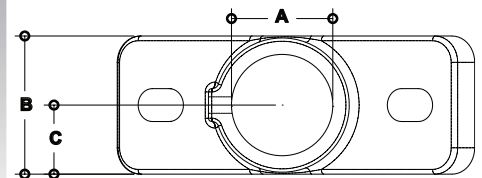
Item #	Description	Pipe Size	A	B	C	D	E	F
ALUMINUM MAGNESIUM								
27990	For 1-1/4" IPS	1-1/4"	1.68"	0.44"	1.71"	1.44"	2.25"	5.00"
28990	(46AHD-8) For 1-1/2" IPS	1-1/2"	1.93"	0.44"	1.71"	1.44"	2.25"	5.00"

46AF1 ANGLE BASE FLANGE 28 -32 DEG



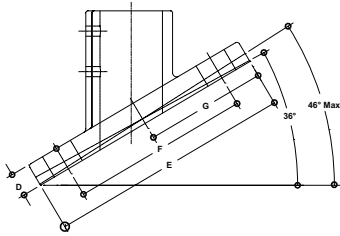
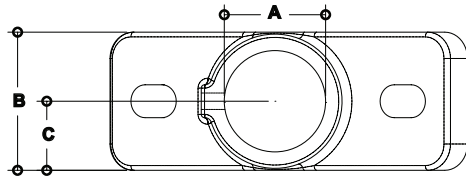
Item #	Description	Pipe Size	Angle
ALUMINUM MAGNESIUM			
28710-28	(46AF1-28) For 1-1/2" IPS	1-1/2"	28°
28710-29	(46AF1-29) For 1-1/2" IPS	1-1/2"	29°
28710-30	(46AF1-30) For 1-1/2" IPS	1-1/2"	30°
28710-31	(46AF1-31) For 1-1/2" IPS	1-1/2"	31°
28710-32	(46AF1-32) For 1-1/2" IPS	1-1/2"	32°

46AF2 ANGLE BASE FLANGE 33 -36 DEG



Item #	Description	Pipe Size	Angle	A	B	C	D	E	F
ALUMINUM MAGNESIUM									
28720-33	(46AF2-33) For 1-1/2" IPS	1-1/2"	33°	1.93"	2.63"	1.31"	0.75"	7.50"	5.50"
28720-36	(46AF2-36) For 1-1/2" IPS	1-1/2"	36°	1.93"	2.63"	1.31"	0.75"	7.50"	5.50"

46AF3 ANGLE FLANGE (37°-46° - 5/8"X1" SLOTS)

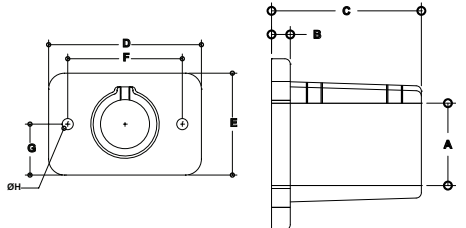


Item #	Description	Pipe Size	Angle	A	B	C	F
--------	-------------	-----------	-------	---	---	---	---

ALUMINUM MAGNESIUM

28190-37	(46AF3-37) For 1-1/2" IPS	1-1/2"	37°	0.52"	0.88"	3.72"	7.50"
28190-38	(46AF3-38) For 1-1/2" IPS	1-1/2"	38°	0.45"	0.94"	3.72"	7.50"
28190-39	(46AF3-39) For 1-1/2" IPS	1-1/2"	39°	0.38"	0.99"	3.72"	7.50"
28190-40	(46AF3-40) For 1-1/2" IPS	1-1/2"	40°	0.38"	1.13"	3.82"	7.50"
28190-41	(46AF3-41) For 1-1/2" IPS	1-1/2"	41°	0.38"	1.26"	3.92"	7.50"
28190-42	(46AF3-42) For 1-1/2" IPS	1-1/2"	42°	0.38"	1.39"	4.03"	7.50"
28190-43	(46AF3-43) For 1-1/2" IPS	1-1/2"	43°	0.38"	1.52"	4.13"	7.50"
28190-44	(46AF3-44) For 1-1/2" IPS	1-1/2"	44°	0.38"	1.66"	4.24"	7.50"
28190-45	(46AF3-45) For 1-1/2" IPS	1-1/2"	45°	0.38"	1.79"	4.36"	7.50"
28190-46	(46AF3-46) For 1-1/2" IPS	1-1/2"	46°	0.38"	1.93"	4.47"	7.50"

47 RECTANGULAR BASE FLANGE

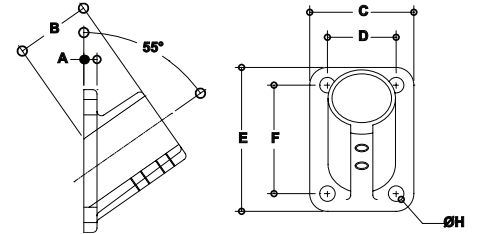


Item #	Description	Pipe Size	A	B	C	E	G
--------	-------------	-----------	---	---	---	---	---

ALUMINUM MAGNESIUM

25160	(47-5) For 3/4" IPS	3/4"	1.07"	1.75"	1.88"	3.50"	0.25"
26160	(47-6) For 1" IPS	1"	1.34"	1.81"	2.38"	3.50"	0.28"
27170	(47-7) For 1-1/4" IPS	1-1/4"	1.68"	2.13"	2.94"	4.06"	0.31"
28170	(47-8) For 1-1/2" IPS	1-1/2"	1.93"	2.53"	3.13"	4.31"	0.38"
29170	(47-9) For 2" IPS	2"	2.40"	2.88"	3.75"	5.00"	0.38"

47AF ANGLE BASE FLANGE 55 DEG

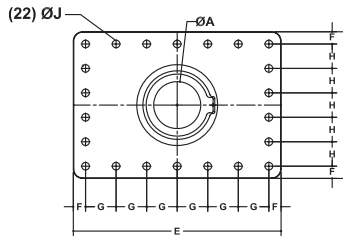
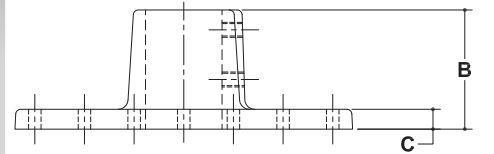


Item #	Description	Pipe Size	A	B	C	D	E	F
--------	-------------	-----------	---	---	---	---	---	---

ALUMINUM MAGNESIUM

25180	(47AF-5) For 3/4" IPS	3/4"	0.25"	1.50"	1.88"	1.19"	3.50"	2.81"
26180	(47AF-6) For 1" IPS	1"	0.25"	1.81"	2.38"	1.63"	3.50"	2.75"
27180	(47AF-7) For 1-1/4" IPS	1-1/4"	0.31"	2.13"	2.94"	2.13"	4.06"	3.25"

47R FLANGE FOR SOLAR OR ROOF MOUNT

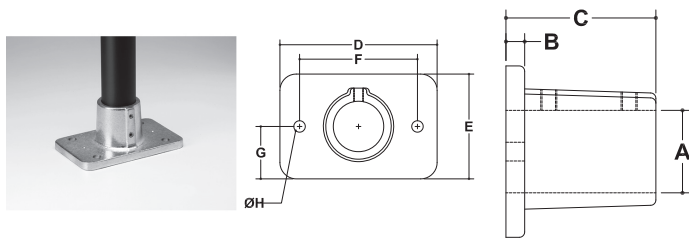


Item #	Description	Pipe Size	A	B	C	D	E
--------	-------------	-----------	---	---	---	---	---

ALUMINUM MAGNESIUM

28910	(41R-8) For 1-1/2" IPS	1-1/2"	1.93"	3.00"	0.50"	6.00"	8.50"
-------	------------------------	--------	-------	-------	-------	-------	-------

48 HEAVY-DUTY BASE FLANGE (4-HOLE)

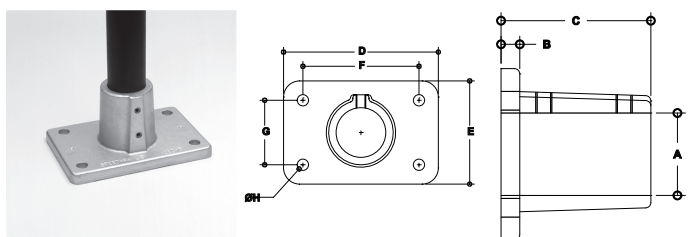


Item #	Description	Pipe Size	A	B	C	D	E
--------	-------------	-----------	---	---	---	---	---

ALUMINUM MAGNESIUM

28210	(48-8) For 1-1/2" IPS	1-1/2"	1.93"	0.44"	3.50"	6.00"	4.00"
29220	(48-9) For 2" IPS	2"	2.40"	0.56"	3.50"	8.00"	5.00"

48BC HEAVY-DUTY RECT. BASE FLANGE

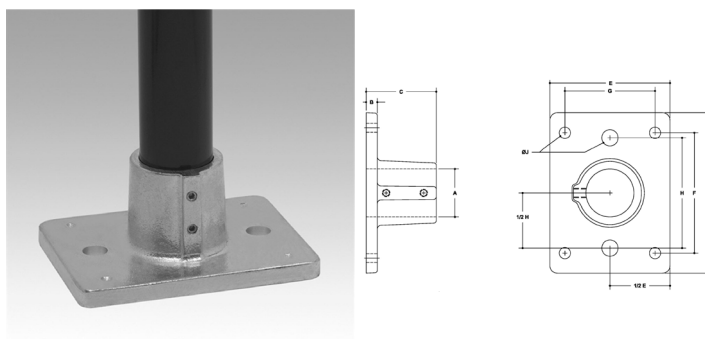


Item #	Description	Pipe Size	A	B	C	D	E
--------	-------------	-----------	---	---	---	---	---

ALUMINUM MAGNESIUM

28490	(48BC-8) For 1-1/2" IPS	1-1/2"	1.93"	0.56"	3.50"	7.50"	5.00"
-------	-------------------------	--------	-------	-------	-------	-------	-------

48H RECTANGULAR FLOOR FLANGE

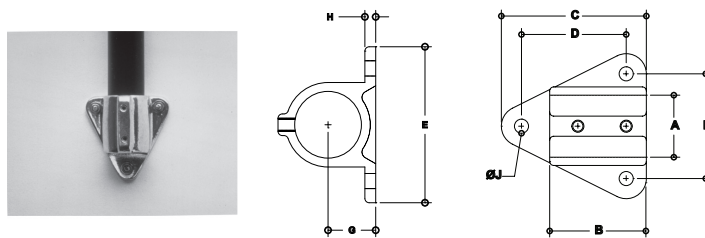


Item #	Description	Pipe Size	Holes	A	B	C	D	E
--------	-------------	-----------	-------	---	---	---	---	---

ALUMINUM MAGNESIUM

29780	(48H-9) For 2" IPS	2"	2	2.40"	0.56"	3.50"	8.00"	6.00"
29790	(48H-9) For 2" IPS	2"	4	2.40"	0.56"	3.50"	8.00"	6.00"

50 WALL MOUNT FLANGE

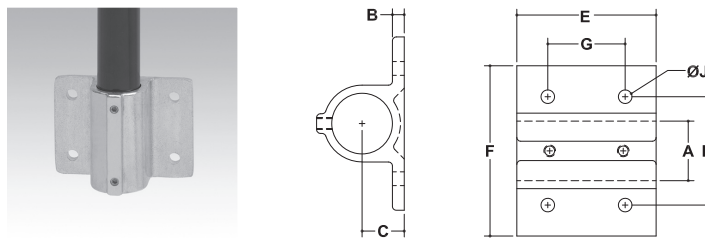


Item #	Description	Pipe Size	A	B	C	E	G	H
--------	-------------	-----------	---	---	---	---	---	---

ALUMINUM MAGNESIUM

25270	(50-5) For 3/4" IPS	3/4"	1.07"	2.00"	3.25"	3.19"	1.00"	0.19"
26270	(50-6) For 1" IPS	1"	1.34"	2.25"	3.88"	3.75"	1.06"	0.25"
27280	(50-7) For 1-1/4" IPS	1-1/4"	1.68"	2.50"	3.88"	4.25"	1.28"	0.31"
28280	(50-8) For 1-1/2" IPS	1-1/2"	1.93"	4.50"	4.44"	1.38"	0.38"	--

52 WALL FLANGE

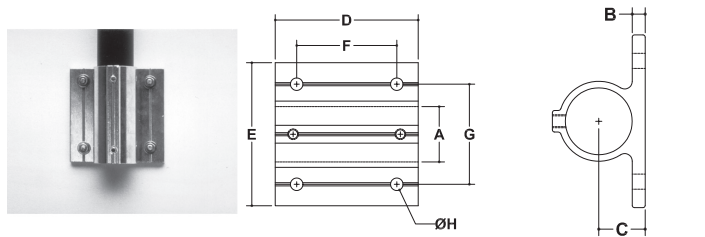


Item #	Description	Pipe Size	A	B	E	F	G	H
--------	-------------	-----------	---	---	---	---	---	---

ALUMINUM MAGNESIUM

27290	(52-7) For 1-1/4" IPS	1-1/4"	1.68"	0.38"	4.50"	5.50"	2.50"	4.00"
28290	(52-8) For 1-1/2" IPS	1-1/2"	1.93"	0.38"	4.50"	5.50"	3.00"	4.00"

52E EXTRUDED WALL FLANGE (4 HOLE)

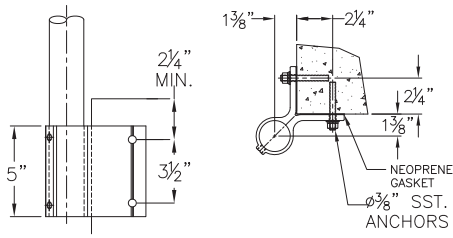


Item #	Description	Pipe Size	A	B	D	E	F	G
--------	-------------	-----------	---	---	---	---	---	---

ALUMINUM MAGNESIUM

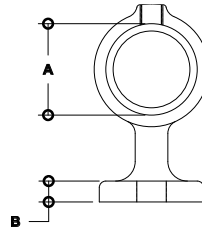
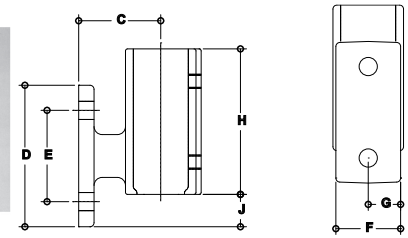
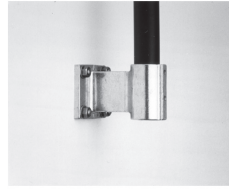
27300	(52E-7) For 1-1/4" IPS	1-1/4"	1.68"	0.38"	5.00"	5.00"	3.50"	3.50"
28300	(52E-8) For 1-1/2" IPS	1-1/2"	1.93"	0.38"	5.00"	5.00"	3.50"	3.50"
29300	(52E-9) For 2" IPS	2"	2.40"	0.44"	5.00"	6.00"	3.50"	4.50"

52EC CORNER EXTRUDED WALL FLANGE



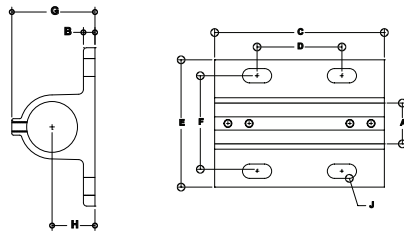
Item #	Description	Pipe Size
ALUMINUM MAGNESIUM		
28850	Corner Extruded Wall Flange in Aluminum Magnesium 1-1/2" IPS	1-1/2"

54-4 4" OFFSET WALL FLANGE



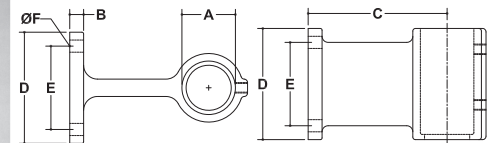
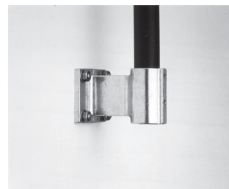
Item #	Description	Pipe Size	A	B	C	D	E	F
ALUMINUM MAGNESIUM								
28340	(54-4-8) For 1-1/2" IPS	1-1/2"	1.93"	0.50"	4.00"	4.00"	3.00"	0.50"

52HD EXTRA HEAVY-DUTY WALL FLANGE



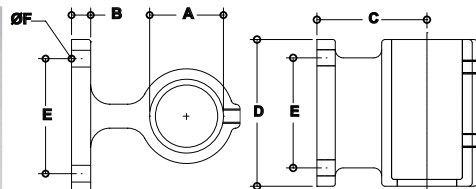
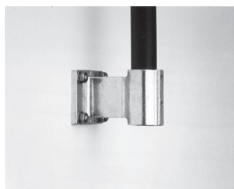
Item #	Description	Pipe Size	A	B	C	E	F	G
ALUMINUM MAGNESIUM								
28580	(52HD-8) For 1-1/2" IPS	1-1/2"	1.93"	0.44"	8.00"	6.00"	4.50"	3.31"

54-5 5" OFFSET WALL FLANGE



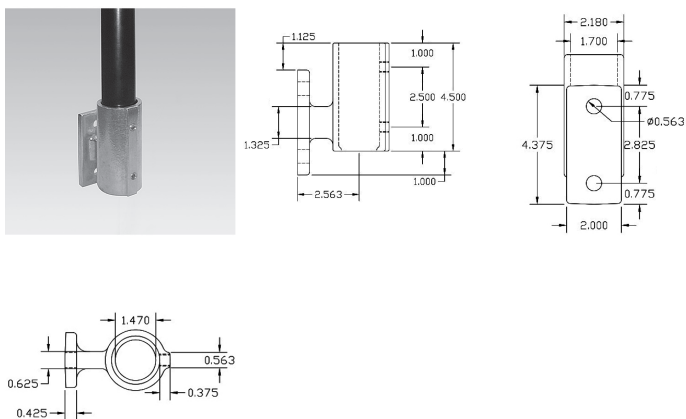
Item #	Description	Pipe Size	A	B	C	D	E	F
ALUMINUM MAGNESIUM								
28350	(54-5-8) For 1-1/2" IPS	1-1/2"	1.93"	0.50"	5.00"	4.00"	3.00"	0.50"

54-3 3" OFFSET WALL FLANGE



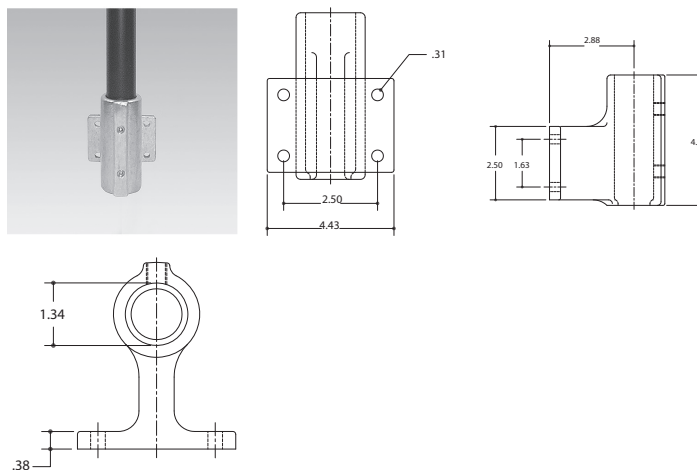
Item #	Description	Pipe Size	A	B	C	D	E	F
ALUMINUM MAGNESIUM								
28330	(54-3-8) For 1-1/2" IPS	1-1/2"	1.93"	0.50"	3.00"	4.00"	3.00"	0.50"

57-7 OFFSET WALL FLANGE



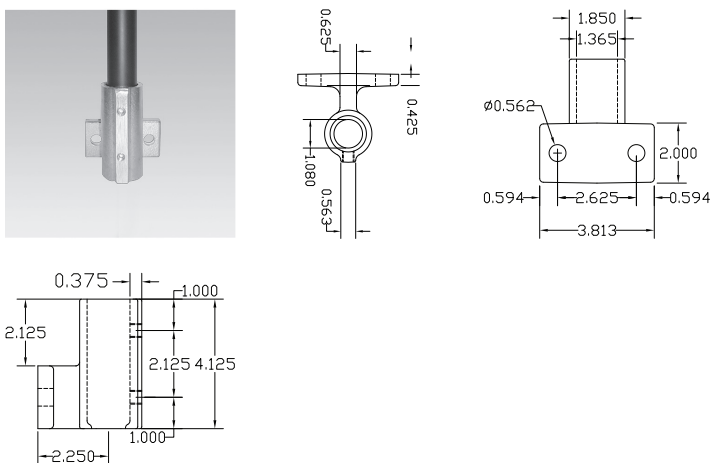
Item #	Description	Pipe Size
ALUMINUM MAGNESIUM		
27800	(54-7-7) For 1-1/4" IPS	1-1/4"

59-6 OFFSET WALL FLANGE



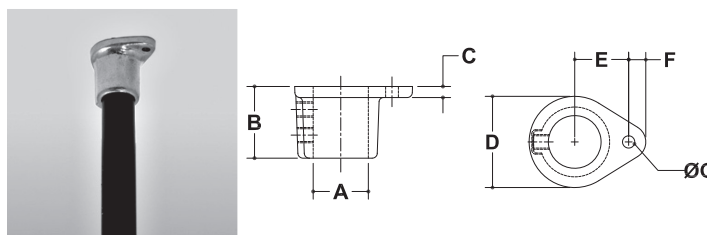
Item #	Description	Pipe Size
ALUMINUM MAGNESIUM		
90121	(59-6-6) For 1" IPS	1"

58-6 OFFSET WALL FLANGE



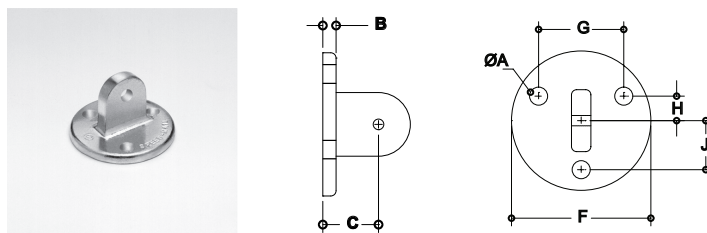
Item #	Description	Pipe Size
ALUMINUM MAGNESIUM		
26810	(58-6-6) For 1" IPS	1"

18 SHELF SUPPORT



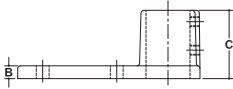
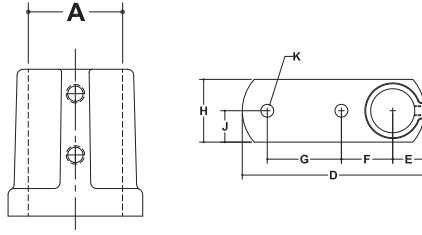
Item #	Description	Pipe Size	A	B	C	D	E	G
ALUMINUM MAGNESIUM								
31490	(18-6) For 1" IPS	1"	1.34"	1.75"	0.27"	2.31"	1.38"	0.31"

41M FLANGE BASE



Item #	Description	Pipe Size	B	C	F	G	H	J
ALUMINUM MAGNESIUM								
25060	(41M-5) For 3/4" IPS	3/4"	0.25"	1.19"	2.88"	1.53"	0.47"	1.19"
27070	(41M-7) For 1-1/2" IPS	1-1/4"	0.31"	1.31"	3.38"	2.06"	0.59"	1.19"

46EXT CORNER FLANGE. BARREL AT END OF FLANGE



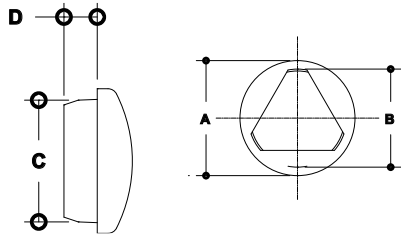
Item #	Description	Pipe Size	A	B	C	D	H	G
--------	-------------	-----------	---	---	---	---	---	---

ALUMINUM MAGNESIUM

28420	(46EXT-8) For 1-1/2" IPS	1-1/2"	1.93"	0.56"	3.00"	8.00"	3.25"	2.75"
-------	--------------------------	--------	-------	-------	-------	-------	-------	-------

62 PLUG SCH. 40

Machined aluminum plug (end cap) for schedule 40 pipe.



Item #	Description	Pipe Size	A	B	C	D
--------	-------------	-----------	---	---	---	---

ALUMINUM MAGNESIUM FLAT BLACK

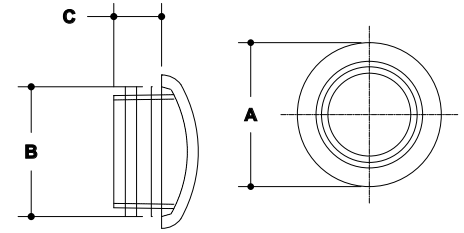
55BK-08610	Powder Coated - For 1-1/2" IPS	1-1/2"	1.90"	1.62"	1.60"	0.44"
------------	--------------------------------	--------	-------	-------	-------	-------

ALUMINUM MAGNESIUM

05610	(62-5) For 3/4" IPS	3/4"	1.05"	0.90"	0.88"	0.44"
06610	(62-6) For 1" IPS	1"	1.32"	1.06"	1.04"	0.44"
07610	(62-7) For 1-1/4" IPS	1-1/4"	1.66"	1.39"	1.37"	0.44"
08610	(62-8) For 1-1/2" IPS	1-1/2"	1.90"	1.62"	1.60"	0.44"
09610	For 2" IPS	2"	2.38"	2.08"	2.06"	0.44"

62P PLASTIC PLUG SCH. 40

Plastic pressure fit plug (end cap) for schedule 40 pipe.

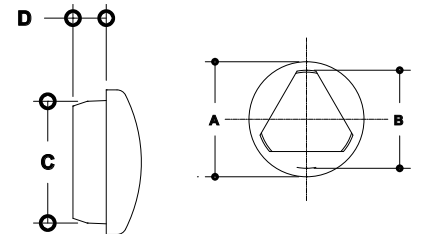


Item #	Description	Pipe Size	A	B	C
--------	-------------	-----------	---	---	---

PLASTIC

10550	(62P-5) For 3/4" IPS	3/4"	1.05"	0.93"	0.49"
10560	(62P-6) For 1" IPS	1"	1.32"	1.13"	0.54"
10570	(62P-7) For 1-1/4" IPS	1-1/4"	1.66"	1.43"	0.70"
10580	(62P-8) For 1-1/2" IPS	1-1/2"	1.90"	1.66"	0.77"
10590	(62P-9) For 2" IPS	2"	2.38"	2.13"	0.82"

65 PLUG SCH. 80



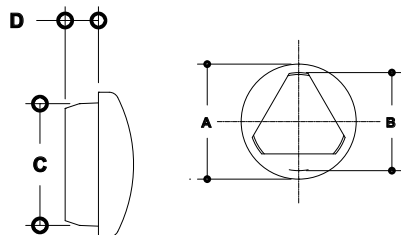
Item #	Description	Pipe Size	A	B	C	D
--------	-------------	-----------	---	---	---	---

ALUMINUM MAGNESIUM

07620	(65-7) For 1-1/4" IPS Schedule 80	1-1/4"	1.66"	1.30"	1.25"	0.44"
08620	(65-8) For 1-1/2" IPS Schedule 80	1-1/2"	1.90"	1.56"	1.50"	0.44"
09620	(65-9) For 2" IPS Schedule 80	2"	2.38"	2.03"	2.00"	0.44"

60 PLUG SCH. 40 (O.D. FITTING)

Machined aluminum plug (end cap) that pressure fits into schedule 40 pipe. The outside diameter of the plug covers the end of a fitting.



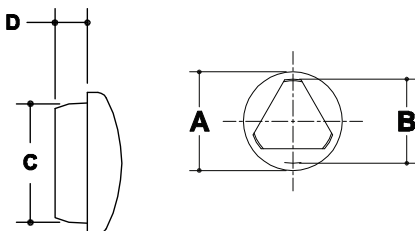
Item #	Description	Pipe Size	A	B	C	D
--------	-------------	-----------	---	---	---	---

ALUMINUM MAGNESIUM

05600	(60-5) For 3/4" IPS	3/4"	1.31"	0.90"	0.88"	0.44"
06600	(60-6) For 1" IPS	1"	1.56"	1.06"	1.04"	0.44"
07600	(60-7) For 1-1/4" IPS	1-1/4"	1.94"	1.39"	1.37"	0.44"
08600	(60-8) For 1-1/2" IPS	1-1/2"	2.19"	1.62"	1.60"	0.44"
09600	(60-9) For 2" IPS	2"	2.66"	2.08"	2.06"	0.44"

63 PLUG SCH. 80 (O.D. FITTING) ALUMINUM MAGNESIUM

Machined aluminum plug (end cap) that pressure fits into schedule 80 pipe. The outside diameter of the plug covers the end of a fitting.

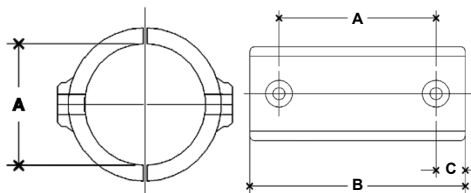


Item #	Description	Pipe Size	A	B	C
--------	-------------	-----------	---	---	---

ALUMINUM MAGNESIUM

10870	(63-8) For 1-1/2" IPS Schedule 80	1-1/2"	2.19"	1.56"	1.50"
-------	-----------------------------------	--------	-------	-------	-------

7000 MEND-A-RAIL COUPLING

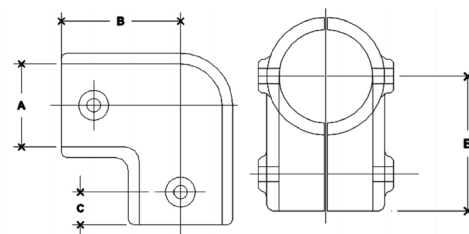


Item #	Description	Pipe Size	A	B	C	D
--------	-------------	-----------	---	---	---	---

ALUMINUM MAGNESIUM

38850	(7000-8) For 1-1/2" IPS	1-1/2"	1.93"	5.50"	0.75"	4.00"
-------	-------------------------	--------	-------	-------	-------	-------

300 MEND-A-RAIL ELBOW

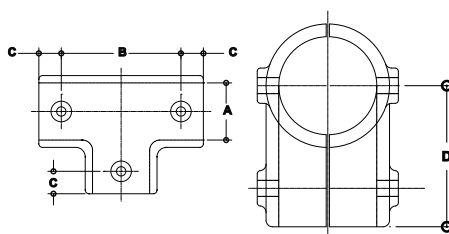


Item #	Description	Pipe Size	A	B	C
--------	-------------	-----------	---	---	---

ALUMINUM MAGNESIUM

38800	(300-8) For 1-1/2" IPS	1-1/2"	1.93"	2.75"	1.50"
-------	------------------------	--------	-------	-------	-------

H500 MEND-A-RAIL TEE

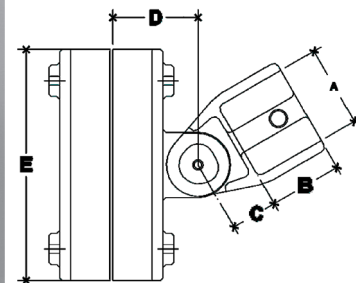


Item #	Description	Pipe Size	A	B	C	D
--------	-------------	-----------	---	---	---	---

ALUMINUM MAGNESIUM

38810	(H500-8) For 1-1/2" IPS	1-1/2"	1.93"	4.00"	0.75"	2.75"
-------	-------------------------	--------	-------	-------	-------	-------

1700 MEND-A-RAIL ADJ. EII OR TEE

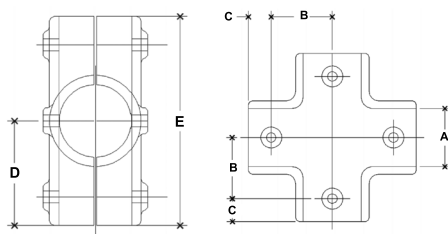


Item #	Description	Pipe Size	A	B	C	D	E
--------	-------------	-----------	---	---	---	---	---

ALUMINUM MAGNESIUM

38820	(1700-8) For 1-1/2" IPS	1-1/2"	1.93"	1.75"	1.11"	2.00"	5.50"
-------	-------------------------	--------	-------	-------	-------	-------	-------

H700 MEND-A-RAIL CROSS

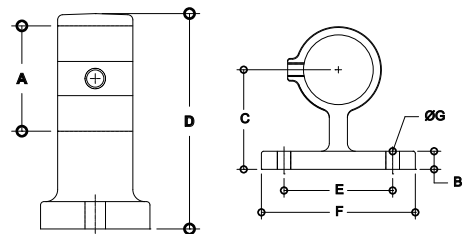


Item #	Description	Pipe Size	A	B	C	D	E
--------	-------------	-----------	---	---	---	---	---

ALUMINUM MAGNESIUM

38860	(H700-8) For 1-1/2" IPS	1-1/2"	1.93"	2.41"	2.75"	2.00"	5.50"
-------	-------------------------	--------	-------	-------	-------	-------	-------

55 OFFSET SUPPORT BRACKET

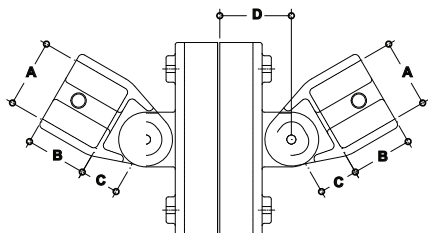


Item #	Description	Pipe Size	A	B	C	D	E	F
--------	-------------	-----------	---	---	---	---	---	---

ALUMINUM MAGNESIUM

27360	(55-7) For 1-1/4" IPS	1-1/4"	1.68"	0.50"	2.75"	3.78"	3.00"	4.00"
28360	(55-8) For 1-1/2" IPS	1-1/2"	1.93"	0.50"	2.75"	3.94"	3.00"	4.25"

1900 MEND-A-RAIL CROSS ADJ.

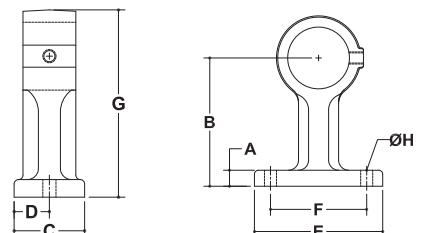


Item #	Description	Pipe Size	A	B	C	D
--------	-------------	-----------	---	---	---	---

ALUMINUM MAGNESIUM

38830	(1900-8) For 1-1/2" IPS	1-1/2"	1.93"	1.75"	1.11"	2.00"
-------	-------------------------	--------	-------	-------	-------	-------

55-4 OFFSET (4") WALL BRACKET

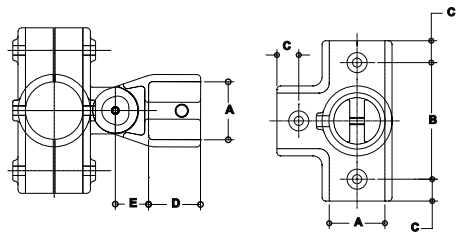


Item #	Description	Pipe Size	A	B	C	E	F	G
--------	-------------	-----------	---	---	---	---	---	---

ALUMINUM MAGNESIUM

28370	(55-4-8) For 1-1/2" IPS	1-1/2"	0.50"	4.00"	2.00"	4.00"	3.00"	5.31"
-------	-------------------------	--------	-------	-------	-------	-------	-------	-------

2500 MEND-A-RAIL SIDE OUTLET EII/TEE

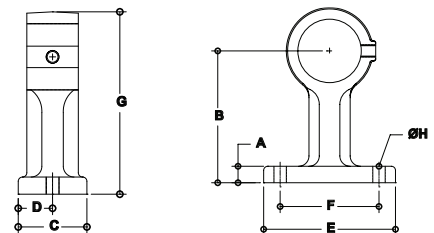


Item #	Description	Pipe Size	A	B	C	D	E
--------	-------------	-----------	---	---	---	---	---

ALUMINUM MAGNESIUM

38840	(2500-8) For 1-1/2" IPS	1-1/2"	1.93"	1.75"	0.75"	1.75"	1.11"
-------	-------------------------	--------	-------	-------	-------	-------	-------

55-5 OFFSET WALL BRACKET

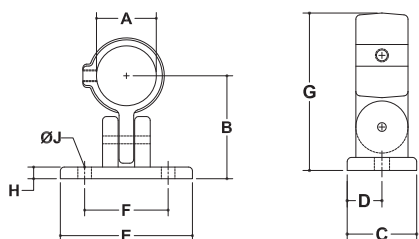


Item #	Description	Pipe Size	A	B	C	D	E	F / G
--------	-------------	-----------	---	---	---	---	---	-------

ALUMINUM MAGNESIUM

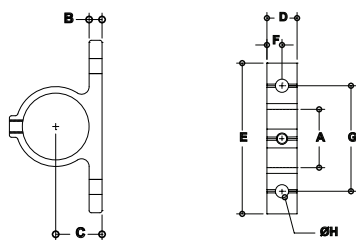
25360	(55-5-5) For 3/4" IPS	3/4"	1.05"	0.38"	2.13"	2.83"	3.00"	4.00" / 0.31"
28380	(55-5-8) For 1-1/2" IPS	1-1/2"	0.50"	5.00"	2.00"	1"00	4"00	3" / 6.31"

56 ADJ. OFFSET WALL BRACKET



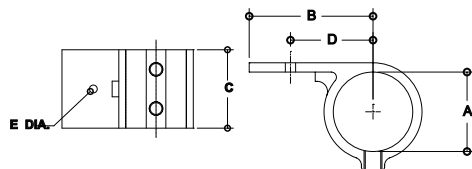
Item #	Description	Pipe Size	A	B	C	E	G	H
ALUMINUM MAGNESIUM								
27390	(56-7) For 1-1/4" IPS	1-1/4"	1.68"	3.25"	2.00"	4.25"	4.31"	0.38"
28390	(56-8) For 1-1/2" IPS	1-1/2"	1.93"	3.75"	2.00"	4.25"	4.94"	0.38"

52ES EXTRUDED OFFSET BRACKET (1" CUT)



Item #	Description	Pipe Size	A	B	C	D	E	G
ALUMINUM MAGNESIUM								
27610	(52ES-7) For 1-1/4" IPS	1-1/4"	1.68"	0.38"	1.34"	1.00"	5.00"	3.50"
28610	(52ES-8) For 1-1/2" IPS	1-1/2"	1.93"	0.38"	1.34"	1.00"	5.00"	3.50"
29610	(52ES-9) For 2" IPS	2"	2.40"	0.44"	1.63"	1.00"	6.00"	4.50"

96 PLATFORM BRACKET



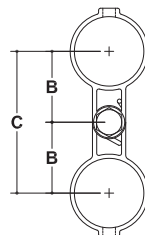
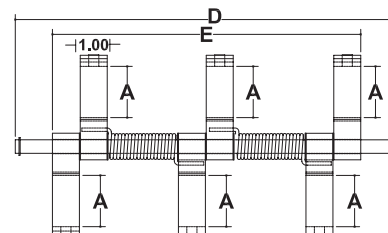
Item #	Description	Pipe Size	A	B	C	D	E
ALUMINUM MAGNESIUM							
08720	(96-8) For 1-1/2" IPS	1-1/2"	1.93"	3.00"	2.50"	2.00"	0.25"

H51042 GATE HINGE & LATCH ASSEMBLY



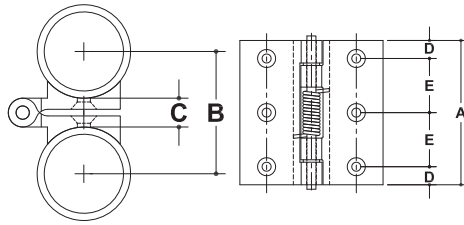
Item #	Description	Pipe Size
ALUMINUM MAGNESIUM SST SCREWS		
52095	For 2" IPS	2"
ALUMINUM MAGNESIUM		
53005	For 1-1/4" IPS	1-1/4"
51042	For 1-1/2" IPS	1-1/2"

76 GATE HINGE



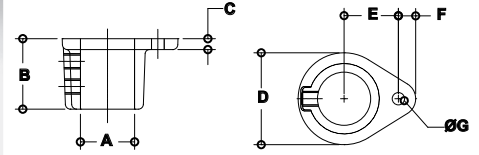
Item #	Description	Pipe Size	A	B	C	D
ALUMINUM MAGNESIUM						
07670	(76-7) For 1-1/4" IPS	1-1/4"	1.68"	2.09"	4.18"	1.00"
08670	(76-8) For 1-1/2" IPS	1-1/2"	1.93"	2.09"	4.18"	1.00"
09670	(76-9) For 2" IPS	2"	2.40"	2.25"	4.50"	1.00"

H200 GATE HINGE



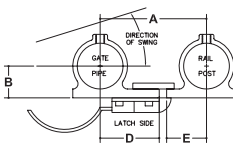
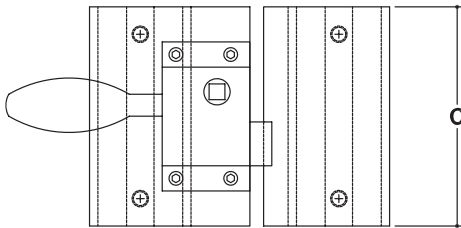
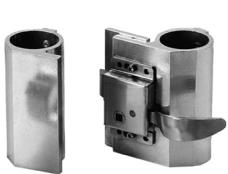
Item #	Description	Pipe Size	A	B	C	D	E	F
ALUMINUM MAGNESIUM								
53416	(200-7) For 1-1/4" IPS	1-1/4"	4.00"	2.50"	0.59"	0.50"	1.50"	1/4-20
51416	(200-8) For 1-1/2" IPS	1-1/2"	4.00"	2.25"	0.57"	0.50"	1.50"	1/4-20

18S MODULAR STAIR BRACKET ASSEMBLY



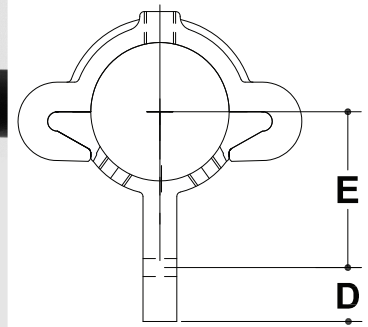
Item #	Description	Pipe Size	A	B	C	D	E	F
ALUMINUM MAGNESIUM								
17100	(18S-7) For 1-1/4" IPS	1-1/4"	1.68"	3.00"	4.60"	1.03"	2.06"	3.15"
18100	(18S-8) For 1-1/2" IPS	1-1/2"	1.93"	3.00"	4.60"	1.03"	2.06"	3.15"

H51015 GATE LATCH



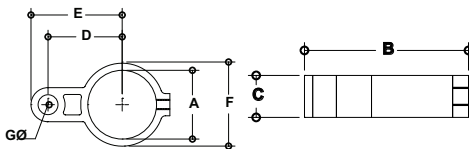
Item #	Description	Pipe Size	A	B	C	D	E
ALUMINUM MAGNESIUM							
53015	For 1-1/4" IPS	1-1/4"	4.50"	1.38"	5.00"	2.50"	1.69"
51015	For 1-1/2" IPS	1-1/2"	4.50"	1.38"	5.00"	2.50"	1.69"

17SM MODULAR MALE ASSEMBLY



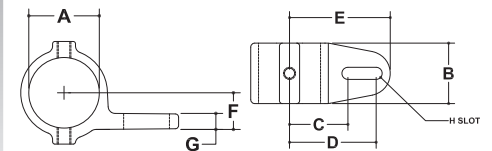
Item #	Description	Pipe Size	A	B	C	D	E
ALUMINUM MAGNESIUM							
18090	(17SM-8) For 1-1/2" IPS	1-1/2"	1.93"	1.50"	3.10"	0.75"	2.17"

78I GATE HINGE FEMALE EXTRUSION



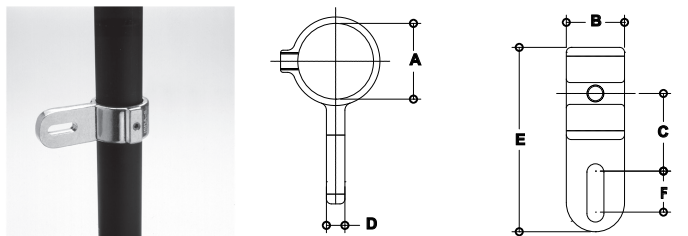
Item #	Description	Pipe Size	A	B	C	D	E	F
ALUMINUM MAGNESIUM								
07690	(78I-7) For 1-1/4" IPS	1-1/4"	1.68"	3.78"	1.00"	2.09"	2.57"	2.08"
08690	(78I-8) For 1-1/2" IPS	1-1/2"	1.93"	3.91"	1.00"	2.09"	2.57"	2.37"

95 SINGLE TAB BRACKET OVAL SLOT



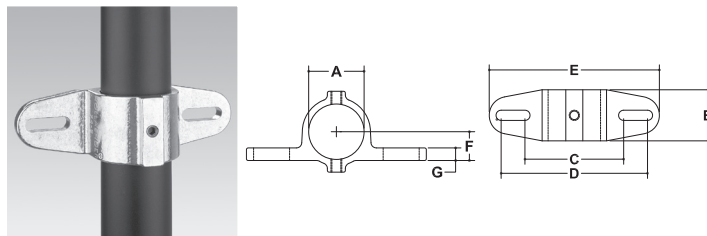
Item #	Description	Pipe Size	A	B	C	D	E	F
ALUMINUM MAGNESIUM								
08790	(95-8) For 1-1/2" IPS	1-1/2"	1.93"	1.88"	1.81"	2.69"	3.13"	1.00"

17MA EXTENDED TAB



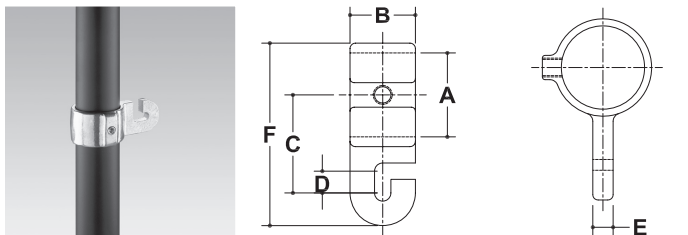
Item #	Description	Pipe Size	A	B	C	D	E	F
ALUMINUM MAGNESIUM								
08390	(17MA-8) For 1-1/2" IPS	1-1/2"	1.93"	1.50"	2.00"	0.75"	4.75"	1.06"

94 DOUBLE TAB BRACKET OVAL SHAPE



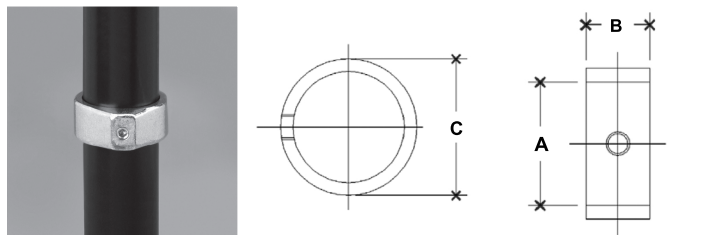
Item #	Description	Pipe Size	A	B	C	D	E	F
ALUMINUM MAGNESIUM								
08780	(94-8) For 1-1/2" IPS	1-1/2"	1.93"	1.88"	3.63"	5.38"	6.25"	1.00"

17HM HOOK



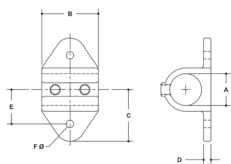
Item #	Description	Pipe Size	A	B	C	D	E	F
ALUMINUM MAGNESIUM								
07490	(17HM-7) For 1-1/4" IPS	1-1/4"	1.68"	1.50"	2.06"	0.50"	0.47"	3.89"
08490	(17HM-8) For 1-1/2" IPS	1-1/2"	1.93"	1.50"	2.25"	0.50"	0.47"	3.89"

78 SHORT COLLAR



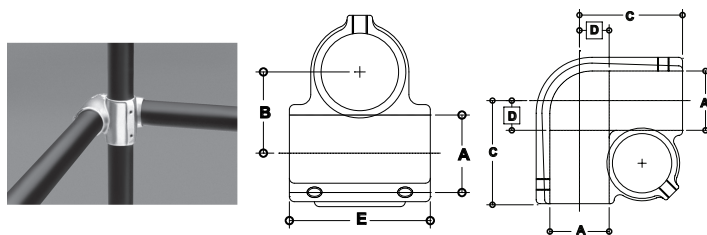
Item #	Description	Pipe Size	A	B	C
ALUMINUM MAGNESIUM					
07680	(78-7) For 1-1/4" IPS	1-1/4"	1.68"	1.00"	2.12"
08680	(78-8) For 1-1/2" IPS	1-1/2"	1.93"	1.50"	2.40"

50T 50T 2 TABS WITH HOLES



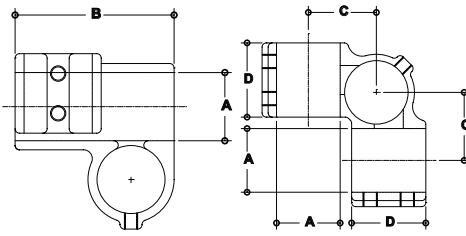
Item #	Description	Pipe Size
ALUMINUM MAGNESIUM		
26850	50T Flange 2 Tabs with holes Aluminum Magnesium For Pipe Size 1" IPS	1"

20 OUTSIDE CORNER



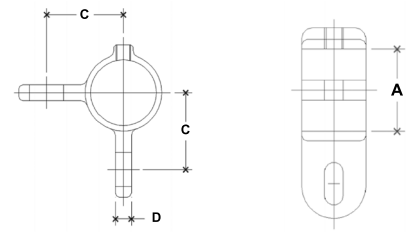
Item #	Description	Pipe Size	A	B	C	D	E
ALUMINUM MAGNESIUM							
06350	(20-6) For 1" IPS	1"	1.33"	1.44"	2.44"	0.67"	3.50"
07350	(20-7) For 1-1/4" IPS	1-1/4"	1.68"	1.78"	2.56"	0.84"	3.50"
08350	(20-8) For 1-1/2" IPS	1-1/2"	1.93"	2.03"	3.34"	0.97"	3.50"
09350	(20-9) For 2" IPS	2"	2.40"	2.50"	4.06"	1.20"	4.00"

100 RACKMASTER



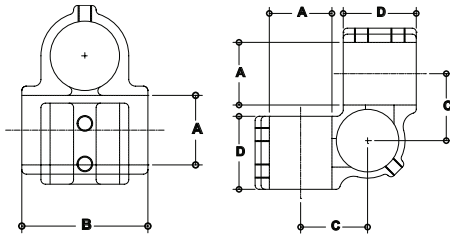
Item #	Description	Pipe Size	A	B	C	D
ALUMINUM MAGNESIUM						
06730	(100-6) For 1" IPS	1"	1.34"	3.50"	1.47"	2.25"
07730	(100-7) For 1-1/4" IPS	1-1/4"	1.68"	4.00"	1.81"	2.25"
08730	(100-8) For 1-1/2" IPS	1-1/2"	1.93"	4.50"	2.06"	2.25"

27EMO DOUBLE ADJ. SIDE OUTLET TEE MALE



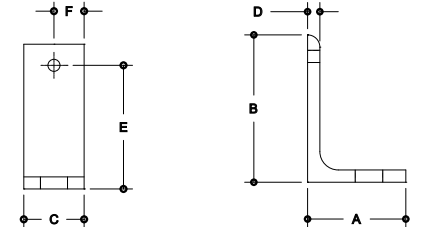
Item #	Description	Pipe Size	A	B	C	D
ALUMINUM MAGNESIUM						
08480	(27EMO-8) For 1-1/2" IPS	1-1/2"	1.93"	1.50"	2.25"	0.47"

102 RACKMASTER



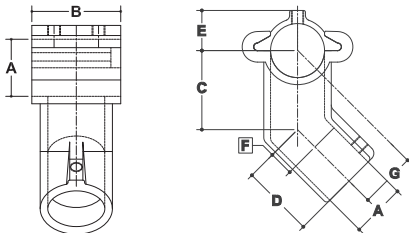
Item #	Description	Pipe Size	A	B	C	D
ALUMINUM MAGNESIUM						
06740	(102-6) For 1" IPS	1"	1.34"	3.50"	1.44"	1.66"
07740	(102-7) For 1-1/4" IPS	1-1/4"	1.68"	3.50"	1.78"	2.25"
08740	(102-8) For 1-1/2" IPS	1-1/2"	1.93"	3.50"	2.03"	2.25"
09740	(102-9) For 2" IPS	2"	2.40"	4.00"	2.50"	2.50"

49F TOE BOARD BRACKET



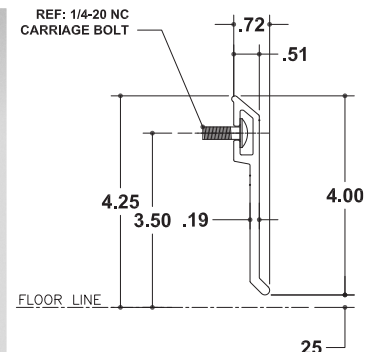
Item #	Description	A	B	C	D	E	F
ALUMINUM SATIN ANODIZED							
28576	Toe Board Bracket	2.00"	3.00"	1.25"	0.25"	2.56"	0.63"
ALUMINUM MILL FINISH							
28575	Toe Board Bracket	2.00"	3.00"	1.25"	0.25"	2.56"	0.63"

28S MODULAR CORNER ELL (1 BARREL ASSEMBLY)



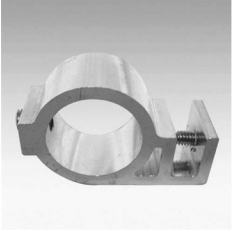
Item #	Description	Pipe Size	A	B	C	D	E	F / G
ALUMINUM MAGNESIUM								
17150	(28S-7) For 1-1/4" IPS	1-1/4"	1.68"	2.60"	4.52"	2.47"	1.38"	0.75" / 1.87"
18150	(28S-8) For 1-1/2" IPS	1-1/2"	1.93"	3.00"	2.81"	2.59"	1.43"	0.88" / 2"

H94102 BEVELED TOEPLATE



Item #	Description	Len
ALUMINUM SATIN ANODIZED		
94102	4" 6063 Alloy T6	24"

75 SIGNAGE CLAMP



Item #	Description	Pipe Size
ALUMINUM MAGNESIUM		
06710	(75-6) Signage Clamp in Aluminum Magnesium	1"

74121 STANDARD PIVOT PIN



JS600 SET SCREWS



Item #	Description	Width
SATIN STAINLESS STEEL 304		
81312	Width 5/16" x 5/16" Long (Used With 3/4" Hollaender Fittings).	5/16" x 5/16"
81612	Width 3/8" x 7/16" Long (Used With 1" 1-1/4" 1-1/2" and 2" Hollaender Fittings).	3/8" x 7/16"
81913	Width 3/8" x 1-7/16" Long (Interna Rail).	3/8" x 1-7/16"
STEEL		
80312	Zinc Plated Width 5/16" x 5/16" Long. For use with 3/4" Hollaender Fittings.	5/16" x 5/16"
80612	Zinc Plated Steel 3/8-16 x 7/16" long for 1" 1-1/4" 1-1/2" and 2" Hollaender Fittings.	3/8" x 7/16"

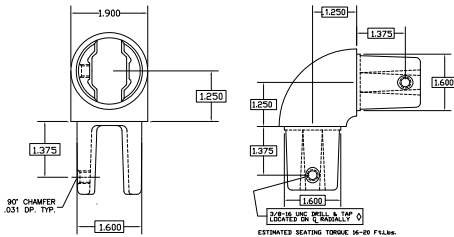
HOLLAENDER SPEED RAIL SYSTEM



HOLLAENDER INTERNA-RAIL®

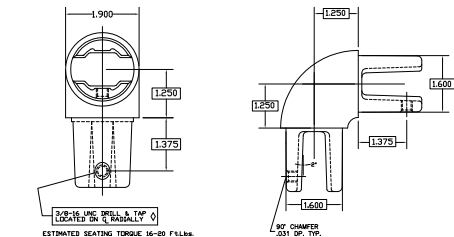
A mechanical system with a continual, sleek, and symmetrical look that needs no welding or threading, Hollaender's Interna-Rail is a modular solution engineered to allow quick "build from scratch" on-site installation, which can comply with the Americans with Disabilities Act (ADA) and the Uniform Federal Accessibility Standards (UFAS) when properly configured and assembled. The design provides an excellent continuous gripping surface along the top rail. The high quality components with a weather and wear resistant anodized satin finish do not rust or deteriorate, resulting in very low long-term maintenance costs.

130 FLUSH ELL



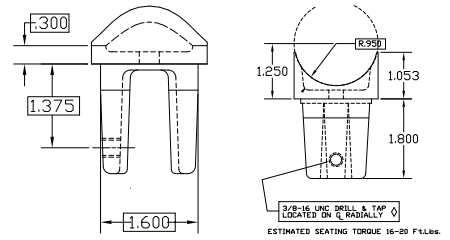
Item #	Description	Pipe Size
ALUMINUM SATIN ANODIZED		
56016	(130F-7) 90 Degree Elbow	1-1/4"
58016	(130F-8) 90 Degree Elbow	1-1/2"

131 FLUSH ELL



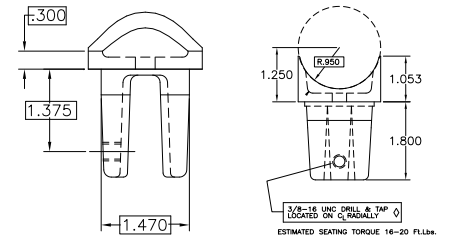
Item #	Description	Pipe Size	Position
ALUMINUM SATIN ANODIZED			
58996	90 Degree Elbow	1-1/2"	Bottom
58986	90 Degree Elbow	1-1/2"	Top

155F FLUSH TEE/PERP COLLAR



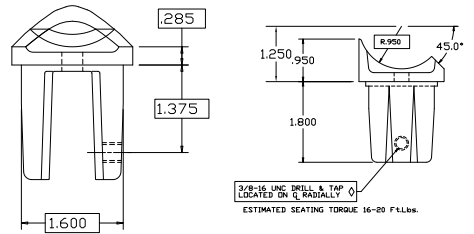
Item #	Description	Pipe Size
ALUMINUM SATIN ANODIZED		
58706	(155F-8) For 1-1/2" IPS Schedule 40	1-1/2"

158F TEE ANODIZED ALUMINUM



Item #	Description	Pipe Size
ALUMINUM SATIN ANODIZED		
58716	For 1-1/2" IPS Schedule 80	1-1/2"

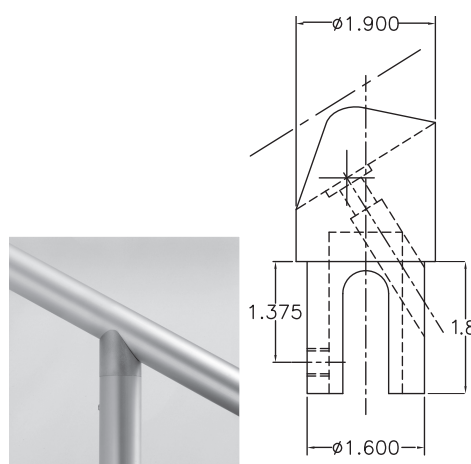
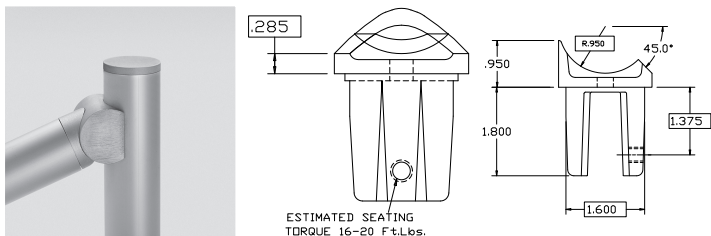
159 CORNER TEE



Item #	Description	Pipe Size	Position
ALUMINUM SATIN ANODIZED			
58736	(159RF-8) Corner Tee	1-1/2" IPS	Right
58726	(159LF-8) Corner Tee	1-1/2" IPS	Left

171F ADJUSTABLE ACUTE TEE

173 ACUTE ANGLE TEE

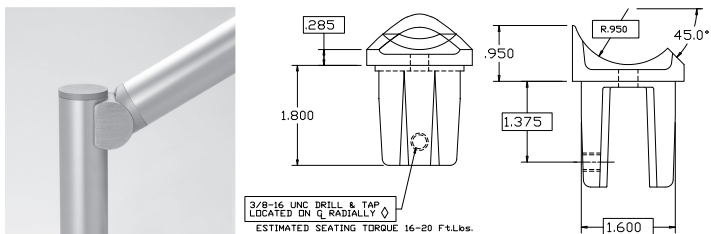


Item #	Description	Pipe Size
58746	(171F-8) Adjustable Acute Tee	1-1/2"



172F ADJUSTABLE OBTUSE TEE

Item #	Description	Pipe Size	Angle
58126-29	(173-8-29) Acute Angle Tee	1-1/2"	29°
58126-32	(173-8-32) Acute Angle Tee	1-1/2"	32°
58126-35	(173-8-35) Acute Angle Tee	1-1/2"	35°
58126-38	(173-8-38) Acute Angle Tee	1-1/2"	38°

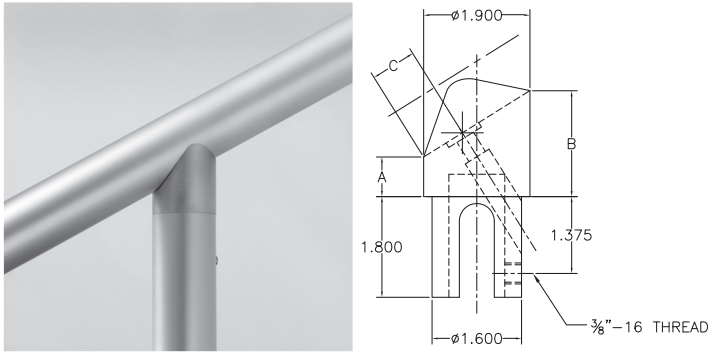


Item #	Description	Pipe Size
58756	(172F-8) Adjustable Obtuse Tee	1-1/2"

HOLLAENDER INTERNA-RAIL SYSTEM

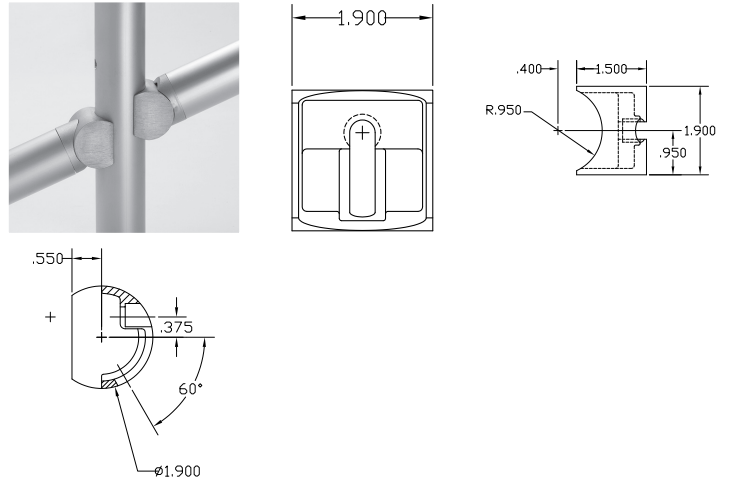


174 OBTUSE ANGLE TEE



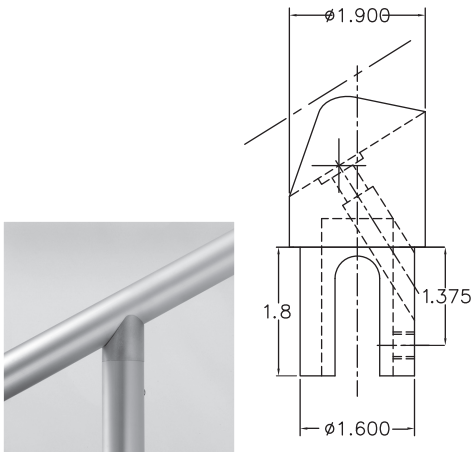
Item #	Description	Pipe Size	Angle
ALUMINUM SATIN ANODIZED			
58226-29	(174-8-29) Obtuse Angle Tee - Schedule 40	1-1/2"	29°
58226-32	(174-8-32) Obtuse Angle Tee - Schedule 40	1-1/2"	32°
58226-35	(174-8-35) Obtuse Angle Tee - Schedule 40	1-1/2"	35°
58226-38	(174-8-38) Obtuse Angle Tee - Schedule 40	1-1/2"	38°
58226-45	(174-8-45) Obtuse Angle Tee - Schedule 40	1-1/2"	45°

170F TRUNION



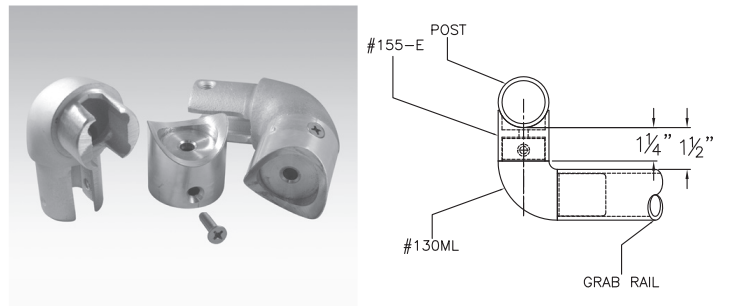
Item #	Description	Pipe Size
ALUMINUM SATIN ANODIZED		
58096	(170F-8) Trunion	1-1/2"

179 OBTUSE ANGLE TEE - SCH 80



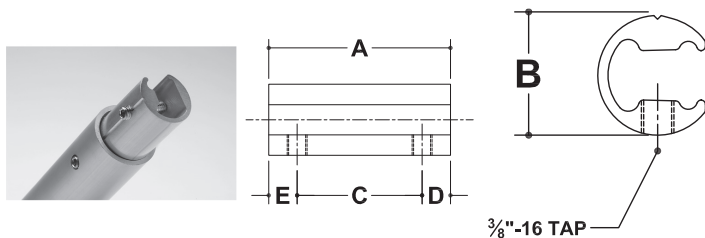
Item #	Description	Pipe Size	Angle
ALUMINUM SATIN ANODIZED			
58416-29	Obtuse Angle Tee - Schedule 80	1-1/2"	29°
58416-32	Obtuse Angle Tee - Schedule 80	1-1/2"	32°
58416-35	Obtuse Angle Tee - Schedule 80	1-1/2"	35°
58416-38	Obtuse Angle Tee - Schedule 80	1-1/2"	38°
58416-45	Obtuse Angle Tee - Schedule 80	1-1/2"	45°

185 POST RETURN SWIVEL



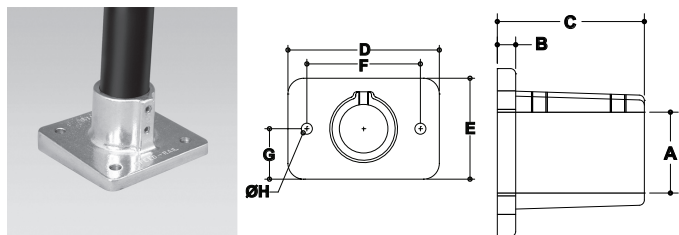
Item #	Description	Pipe Size	Position
ALUMINUM MAGNESIUM			
58166	(185R-8) Connector Handrail to Post	1-1/2"	Right
58176	(185L-8) Connector Handrail to Post	1-1/2"	Left

70ES INTERNAL LOCKING SPLICE



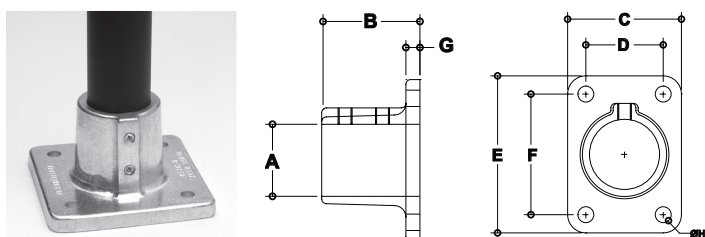
Item #	Description	LEN	Pipe Size	A	B	C	D
ALUMINUM MAGNESIUM							
07655	For 1-1/4" IPS	4"	1-1/4" IPS	4.00"	1.35"	2.75"	0.63"
08655	For 1-1/2" IPS	4"	1-1/2" IPS	4.00"	1.56"	2.75"	0.63"
09655	For 2" IPS	4"	2" IPS	4.00"	2.00"	2.75"	0.63"

45SBCS SQUARE BASE FLOOR FLANGE (1:12 SLOPE)



Item #	Description	Pipe Size	A	B	C	D	E	F
ALUMINUM MAGNESIUM								
28480	(45SBCS-8) For 1-1/2" IPS	1-1/2"	1.93"	0.50"	3.00"	5.00"	3.50"	1.12"

45SBC SQUARE BASE FLANGE

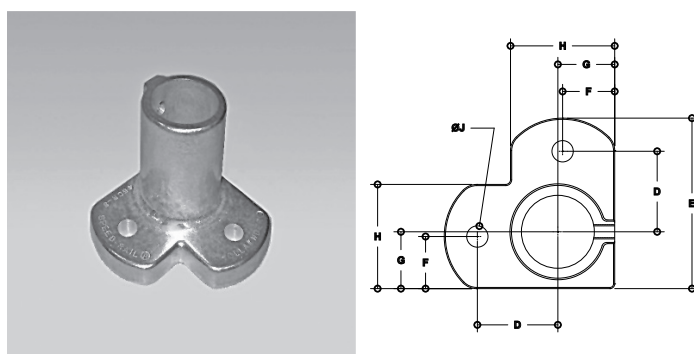


Item #	Description	Pipe Size	A	B	C	D	E	F
--------	-------------	-----------	---	---	---	---	---	---

ALUMINUM MAGNESIUM FLAT BLACK								
55BK-28470	Powder Coated - For 1-1/2" IPS	1-1/2"	1.93"	0.50"	3.00"	5.00"	3.50"	0.44"

ALUMINUM MAGNESIUM								
28470	(45SBC-8) For 1-1/2" IPS	1-1/2"	1.93"	0.50"	3.00"	5.00"	3.50"	0.44"

46CR CORNER FLANGE



Item #	Description	Pipe Size	A	B	C	D	E	H
--------	-------------	-----------	---	---	---	---	---	---

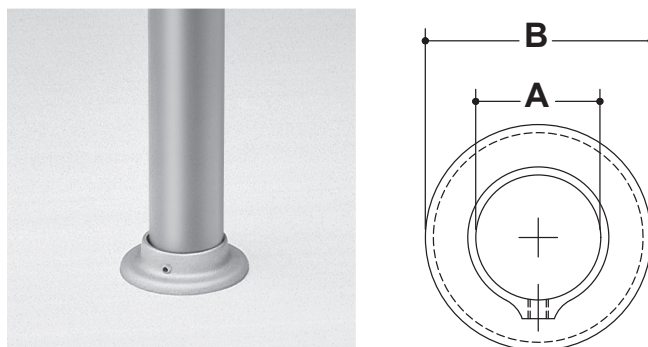
ALUMINUM SATIN ANODIZED								
28416	Corner Flange	1-1/2"	1.93"	0.56"	3.00"	2.13"	4.50"	2.75"

ALUMINUM MAGNESIUM								
28410	(46CR-8) Corner Flange	1-1/2"	1.93"	0.56"	3.00"	2.13"	4.50"	2.75"

49301 WALL RETURN & 82E HANDRAIL BRACKET

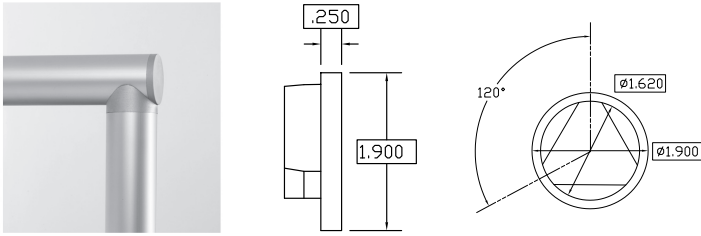


140F GROUT COVER RING



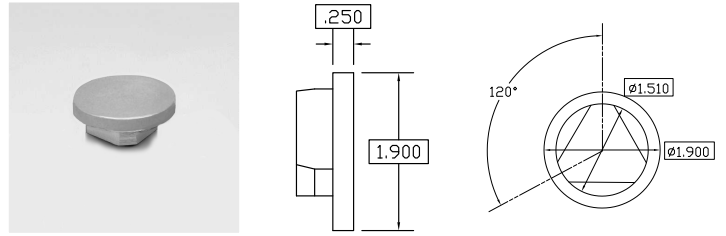
Item #	Description	Pipe Size	A	B
ALUMINUM SATIN ANODIZED				
58026	(140F-8) Cover with Set Screw	1-1/2"	1.93"	3.50"

162 FLUSH END CAP



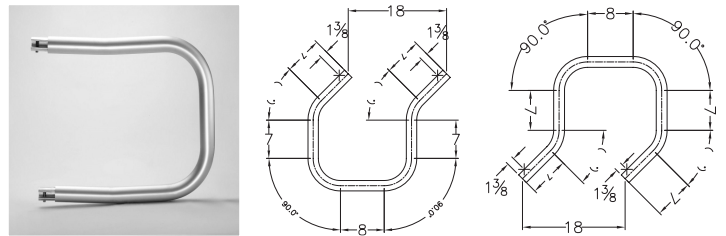
Item #	Description	Pipe Size
ALUMINUM SATIN ANODIZED		
56081	For 1-1/4" IPS Schedule 40	1-1/4"
58086	(162-8) For 1-1/2" IPS Schedule 40	1-1/2"

165 END CAP - SCHEDULE 80



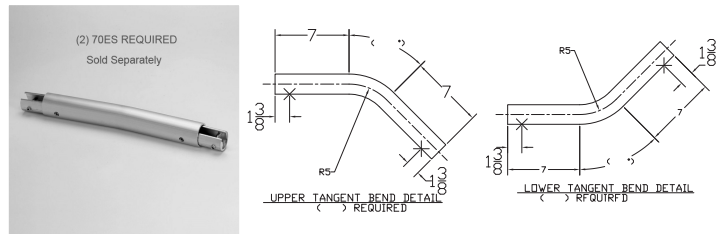
Item #	Description	Pipe Size
ALUMINUM SATIN ANODIZED		
58136	For 1-1/2" IPS Schedule 80	1-1/2"

49101 END LOOP



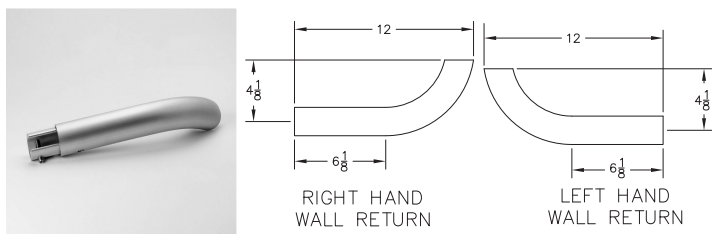
Item #	Description	Pipe Size	Position	Angle
ALUMINUM MAGNESIUM				
49101T-5	End Loop - 5 Degrees	1-1/2"	Top	5°
49101B-32	End Loop - 32 Degrees	1-1/2"	Bottom	32°
49101T-32	End Loop - 32 Degrees	1-1/2"	Top	32°
49101-Level	(49101-8) End Loop	1-1/2"	Level	--
49101B-5	End Loop - 5 Degrees	1-1/2"	Bottom	5°

49201 TANGENT BEND



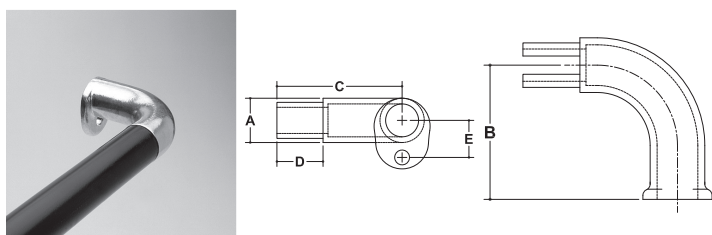
Item #	Description	Pipe Size	Position	Angle
ALUMINUM MAGNESIUM				
49201B-32	Tangent Bend 32 Degrees	1-1/2"	Bottom	32°
49201B-5	Tangent Bend 5 Degrees	1-1/2"	Bottom	5°
49201T-32	Tangent Bend 32 Degrees	1-1/2"	Top	32°
49201T-5	Tangent Bend 5 Degrees	1-1/2"	Top	5°

49301 WALL RETURN BEND



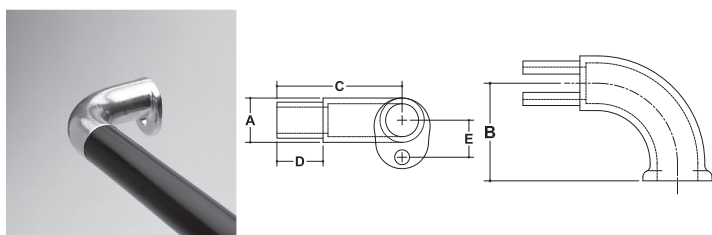
Item #	Description	Pipe Size	Position
ALUMINUM MAGNESIUM			
49301L	(49301) Wall Return - Left	1-1/2"	Left
49301R	(49301-8) Wall Return - Right	1-1/2"	Right

84 HANDRAIL RETURN 4-1/8" CL



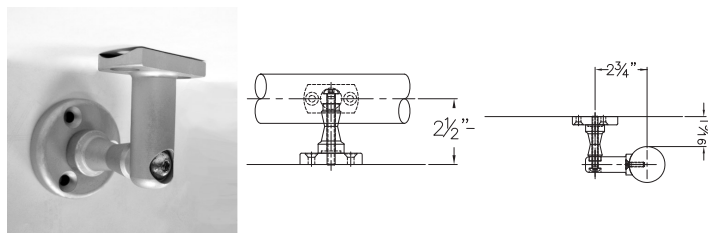
Item #	Description	Pipe Size	Position	A	B	C	D	E
ALUMINUM MAGNESIUM								
07920	(84-7) Wall Return	1-1/4"	Left	1.68"	4.13"	4.75"	1.75"	1.41"
07930	(84-7) Wall Return	1-1/4"	Right	1.68"	4.13"	4.75"	1.75"	1.41"

84A HANDRAIL RETURN 3" CL



Item #	Description	Pipe Size	Position	A	B	C	D	E
ALUMINUM MAGNESIUM								
07900	(84A-7) Wall Return	1-1/4"	Left	1.68"	3.00"	4.75"	1.75"	1.41"
07910	(84A-7) Wall Return	1-1/4"	Right	1.68"	3.00"	4.75"	1.75"	1.41"

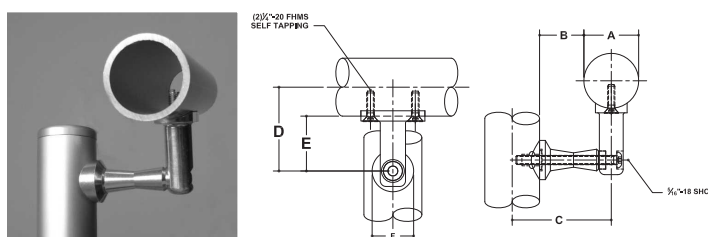
88 ARCHITECTURAL HANDRAIL BRACKET FOR WALL



Item #	Description	Pipe Size
ALUMINUM SATIN ANODIZED		
31046	(88-8) Architectural Handrail Bracket	1-1/2"

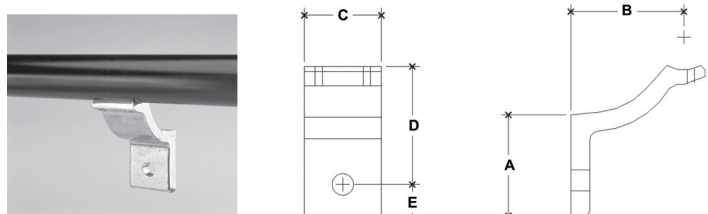
87 ARCHITECTURAL HANDRAIL BRACKET FOR POST

Mount on to a vertical post.



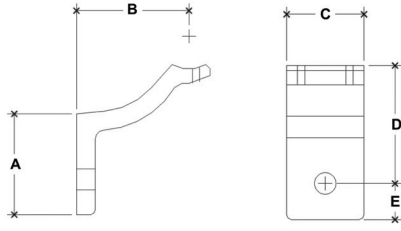
Item #	Description	Pipe Size	A	B	D	E	F	G
ALUMINUM SATIN ANODIZED								
31106	(87-8) Architectural Handrail Bracket	1-1/2"	1.90"	1.56"	2.75"	1.81"	1.38"	1.47"

82A HANDRAIL BRACKET



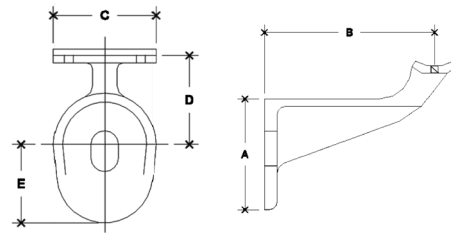
Item #	Description	Pipe Size	A	B	C	D	E
ALUMINUM MAGNESIUM							
07885	(82A-78) Handrail Bracket	1-1/2" x 1-1/4"	2.69"	3.00"	2.00"	3.06"	0.94"

82E EXTRUDED HANDRAIL BRACKET



Item #	Description	Pipe Size	A	B	C	D	E+F	G
ALUMINUM MAGNESIUM								
07895	Handrail Bracket	1-1/2" x 1-1/4"	4.94"	3.00"	2.50"	2.00"	2.69"	--

82 HANDRAIL BRACKET



Item #	Description	Pipe Size	A	B	C	D	E	
ALUMINUM MAGNESIUM								
07875	(82-78) Handrail Bracket	1-1/2" x 1-1/4"	2.97"	4.13"	2.13"	1.69"	1.63"	

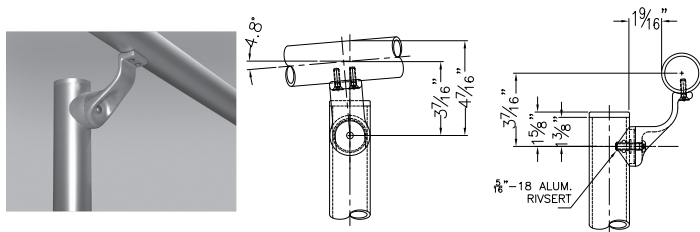


HOLLAENDER INTERNA-RAIL SYSTEM



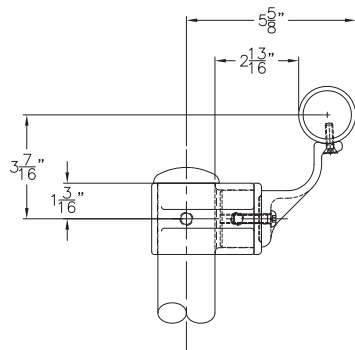
85 ADJUSTABLE HANDRAIL BRACKET

Mount on to a vertical post.



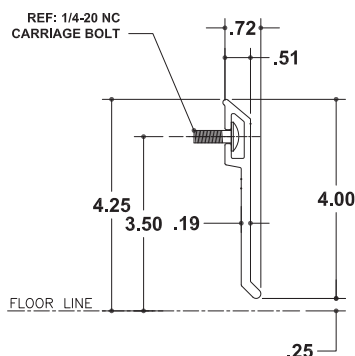
Item #	Description	Pipe Size
ALUMINUM SATIN ANODIZED		
07946	Adjustable Handrail Bracket Kit	1-1/4"
08946	Adjustable Handrail Bracket Kit	1-1/2"
ALUMINUM MAGNESIUM		
07945	(85-7) Adjustable Handrail Bracket Kit	1-1/4"
08945	(85-8) Adjustable Handrail Bracket Kit	1-1/2"

285 ADJUSTABLE HANDRAIL BRACKET FOR USE WITH SPEEDRAIL FITTINGS



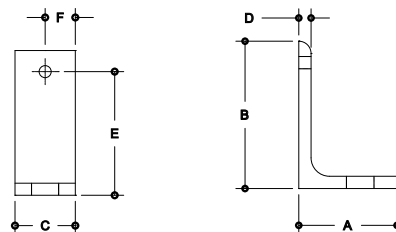
Item #	Description	Pipe Size
ALUMINUM MAGNESIUM		
31555	Adjustable Handrail Bracket	1-1/2"

H94102 BEVELED TOEPLATE



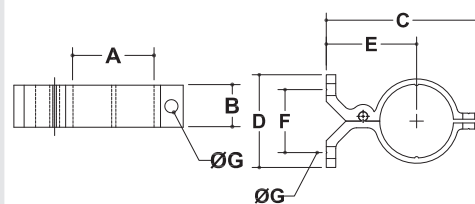
Item #	Description	Len
ALUMINUM SATIN ANODIZED		
94102	4" 6063 Alloy T6	24"

49F TOE BOARD BRACKET



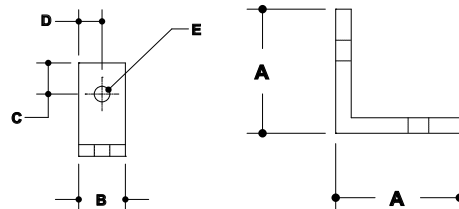
Item #	Description	A	B	C	D	E	F
ALUMINUM SATIN ANODIZED							
28576	Toe Board Bracket	2.00"	3.00"	1.25"	0.25"	2.56"	0.63"
ALUMINUM MILL FINISH							
28575	Toe Board Bracket	2.00"	3.00"	1.25"	0.25"	2.56"	0.63"

49C TOE BOARD CLAMP



Item #	Description	Pipe Size	A	B	C	D	E	F
ALUMINUM MAGNESIUM								
28546	(49C-8) Toe Board Clamp	1-1/2"	1.94"	1.00"	4.03"	2.44"	2.38"	1.69"

49BTCS BEVELED TOEBOARD CORNER SPLICE



Item #	Description	Pipe Size	A	B	C	D	E
ALUMINUM MAGNESIUM							
28526	(49BTCS) Beveled Toeboard Corner Splice	1-1/2"	1.50"	.75"	.50"	.38"	.31"

49BTS TOE BOARD SPLICE ALUMINUM SATIN ANODIZED

Toe board splice aluminum magnesium



Item #	Description
28536	(49BTS-8) toeplate splice Aluminum Satin Anodized

MA-325-RN RIVET NUT INSTALLATION TOOL 5/16-18. DOUBLE LEVER TYPE



RIVETNUT TUBULAR RIVET NUT

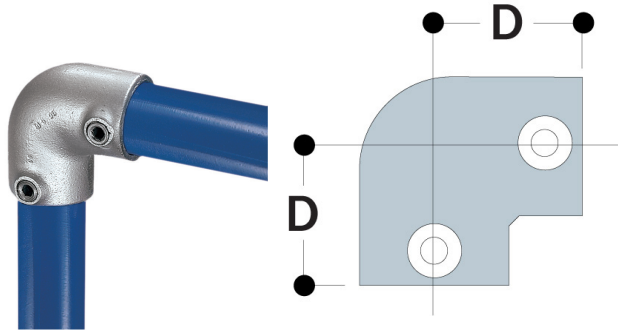


Item #	Description	Size
79233	Tubular Rivet Nut 5/16-18 x 0.94"	5/16-18 x 0.94"

QUICKRAIL® & GALVANIZED FITTINGS

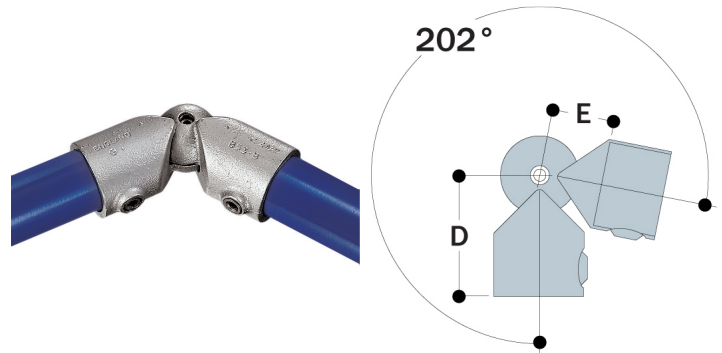
Innovative and versatile, Kee Safety Quick Rail is a simple yet highly effective solution that has become the proven alternative to threaded and welded railings. The Kee Klamp® line of slip-on fittings can create not just railings, but any rigid multi-functional steel tubular structure. Kee Klamp® installation makes use of just these double fittings are made durable fittings made from malleable pre-galvanized cast iron. With over 100 fittings to suit eight sizes of pipe, there are no limits- Kee fittings have been used for over 75 years to achieve countless structural configurations.

KK15 90 DEGREE ELBOW



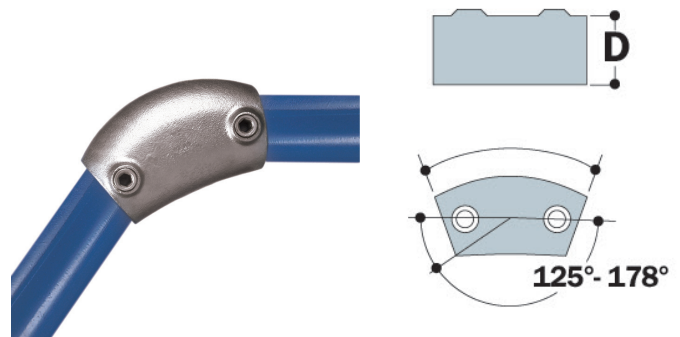
Item #	Description	Pipe Size	D
GALVANIZED STEEL			
KK15-4	(15-4) For 1/2" IPS	1/2"	1.34"
KK15-5	(15-5) For 3/4" IPS	3/4"	1.61"
KK15-6	(15-6) For 1" IPS	1"	1.81"
22-702-7	(15-7) For 1-1/4" IPS	1-1/4"	2.36"
KK15-8	(15-8) For 1-1/2" IPS	1-1/2"	2.68"
KK15-9	(15-9) For 2" IPS	2"	3.35"

KKBC53 SWIVEL ELBOW



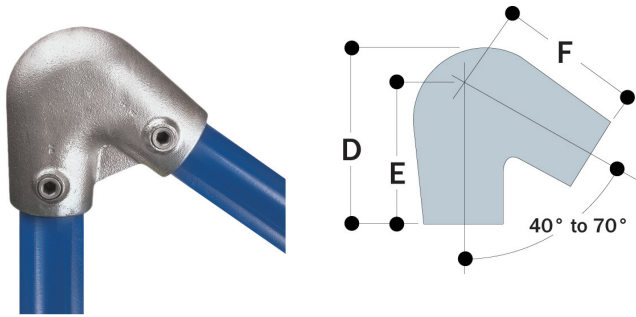
Item #	Description	Pipe Size	D	E
GALVANIZED STEEL				
KKBC53-77	For 1-1/2" IPS	1-1/4"	2.87"	1.42"
KKBC53-88	(BC53-88) For 1-1/2" IPS	1-1/2"	3.27"	1.77"

KK55 OBTUSE ANGLE ELBOW



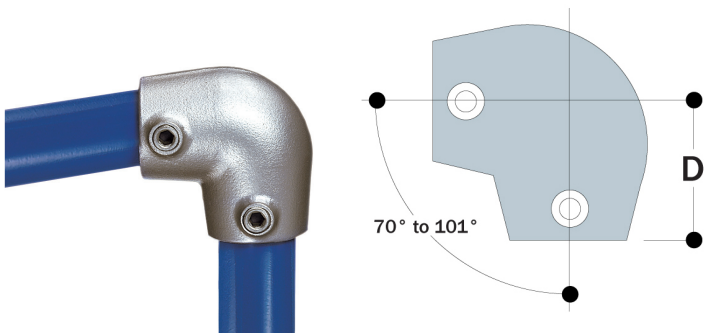
Item #	Description	Pipe Size	D
GALVANIZED STEEL			
KK55-6	(55-6) For 1" IPS	1"	1.81"
KK55-7	(55-7) For 1-1/4" IPS	1-1/4"	2.17"
KK55-8	(55-8) For 1-1/2" IPS	1-1/2"	2.36"

KK56 ACUTE ANGLE ELBOW



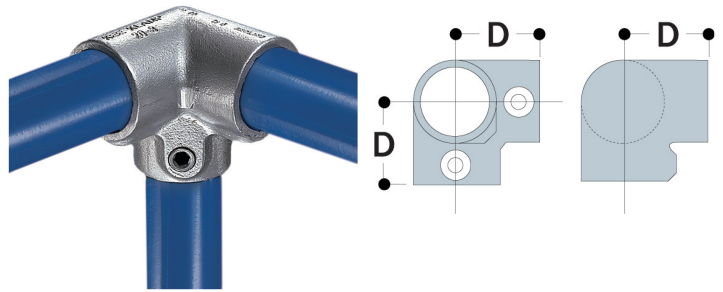
Item #	Description	Pipe Size	D	E	F
GALVANIZED STEEL					
KK56-7	For 1-1/4" IPS	1-1/4"	4.13"	3.9"	3.9"
KK56-8	(56-8) For 1-1/2" IPS	1-1/2"	5.28"	4.41"	4.41"

KK87 ANGLE ELBOW



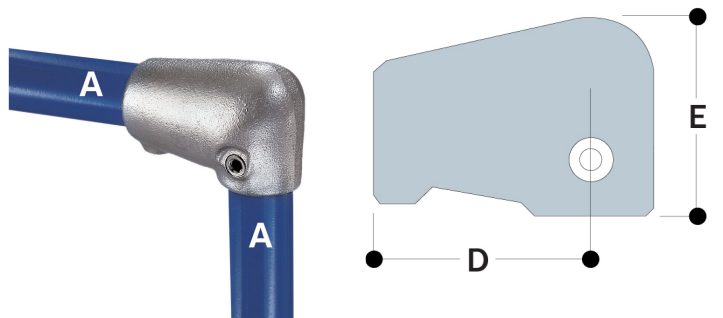
Item #	Description	Pipe Size	D
GALVANIZED STEEL			
KK87-7	(87-7) For 1-1/4" IPS	1-1/4"	2.36"
KK87-8	(87-8) For 1-1/2" IPS	1-1/2"	2.68"

KK20 SIDE OUTLET ELBOW



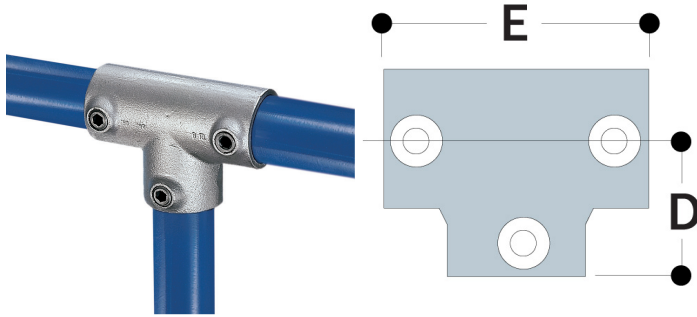
Item #	Description	Pipe Size	D
GALVANIZED STEEL			
KK20-4	(20-4) For 1/2" IPS	1/2"	1.34"
KK20-5	(20-5) For 3/4" IPS	3/4"	1.61"
KK20-6	(20-6) For 1" IPS	1"	1.81"
22-703-7	(20-7) For 1-1/4" IPS	1-1/4"	2.36"
KK20-8	(20-8) For 1-1/2" IPS	1-1/2"	2.68"
KK20-9	(20-9) For 2" IPS	2"	3.31"

KK92 PGR ELBOW



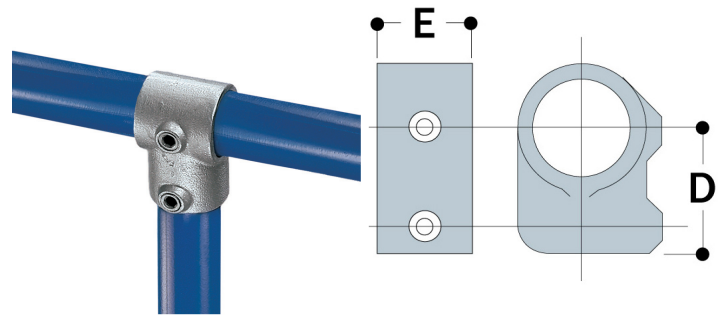
Item #	Description	Pipe Size	D	E
GALVANIZED STEEL				
KK92-8	(92-8) For 1-1/2" IPS	1-1/2"	3.9"	3.5"

KK25 THREE SOCKET TEE



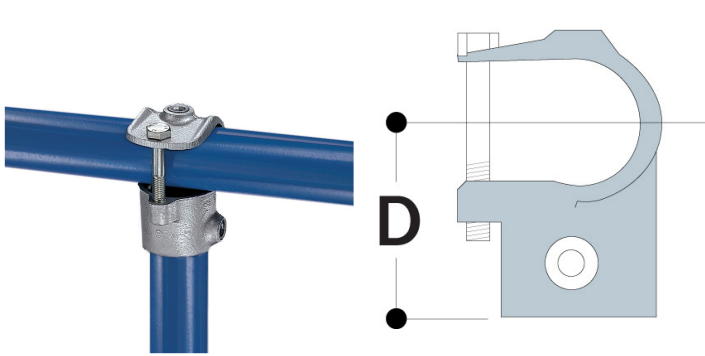
Item #	Description	Pipe Size	D	E
GALVANIZED STEEL				
KK25-4	(25-4) For 1/2" IPS	1/2"	1.34"	2.64"
KK25-5	(25-5) For 3/4" IPS	3/4"	1.61"	3.23"
KK25-6	(25-6) For 1" IPS	1"	1.81"	3.62"
22-704-7	(25-7) For 1-1/4" IPS	1-1/4"	2.36"	4.72"
KK25-8	(25-8) For 1-1/2" IPS	1-1/2"	2.68"	5.35"
KK25-9	(25-9) For 2" IPS	2"	3.31"	6.61"

KK10 SINGLE SOCKET TEE



Item #	Description	Pipe Size	D	E
GALVANIZED STEEL				
KK10-4	(10-4) For 1/2" IPS	1/2"	1.34"	1.26"
KK10-5	(10-5) For 3/4" IPS	3/4"	1.61"	1.46"
KK10-6	(10-6) For 1" IPS	1"	1.81"	1.85"
KK10-65	(10-65) Reducing - For 1" IPS and 3/4" IPS	1" x 3/4"	1.73"	1.46"
KK10-67	(10-67) Reducing - For 1" IPS and 1-1/4" IPS	1" x 1-1/4"	2.17"	2.17"
KK10-7	(10-7) For 1-1/4" IPS	1-1/4"	2.36"	2.17"
KK10-75	(10-75) Reducing - For 1-1/4" IPS and 3/4" IPS	1-1/4" x 3/4"	2.24"	1.46"
KK10-76	(10-76) Reducing - For 1-1/4" IPS and 1" IPS	1-1/4" x 1"	2.24"	1.81"
KK10-78	(10-78) Reducing - For 1-1/2" IPS and 1-1/4" IPS	1-1/2" x 1-1/4"	2.87"	2.36"
KK10-8	(10-8) For 1-1/2" IPS	1-1/2"	2.68"	2.36"
KK10-87	(10-87) Reducing - For 1-1/2" IPS and 1-1/4" IPS	1-1/2" x 1-1/4"	2.48"	2.17"
KK10-9	(10-9) For 2" IPS	2"	3.31"	2.87"
KK10-98	(10-98) Reducing - For 2" IPS and 1-1/2" IPS	2" x 1-1/2"	2.91"	2.52"

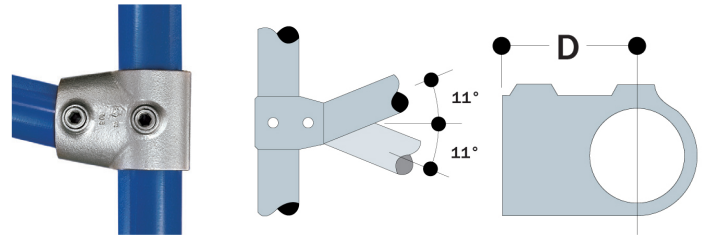
KK16 CLAMP-ON TEE



Item #	Description	Pipe Size	D
GALVANIZED STEEL			

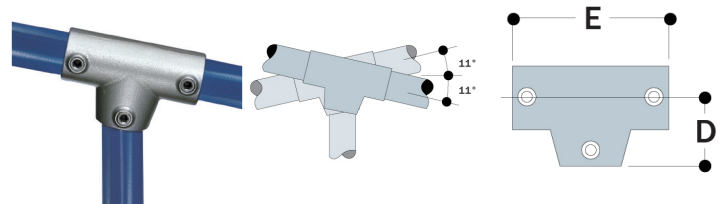
KK16-5	(16-5) For 3/4" IPS	3/4"	1.97"
KK16-6	(16-6) For 1" IPS	1"	2.05"
KK16-7	(16-7) For 1-1/4" IPS	1-1/4"	2.68"
KK16-8	(16-8) For 1-1/2" IPS	1-1/2"	2.87"
KK16-9	(16-9) For 2" IPS	2"	3.54"

KK86 ANGLE TEE



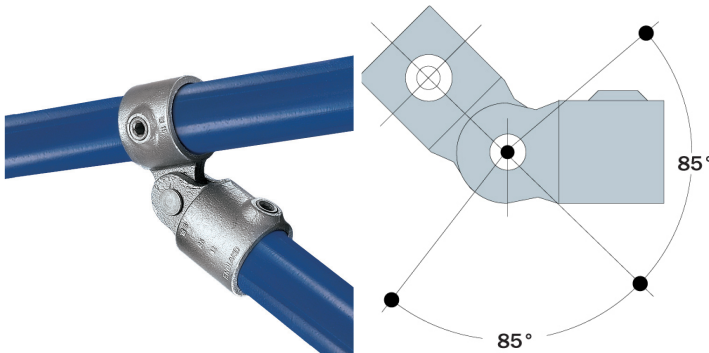
Item #	Description	Pipe Size	D
GALVANIZED STEEL			
KK86-7	(86-7) For 1-1/4" IPS	1-1/4"	2.36"
KK86-8	(86-8) For 1-1/2" IPS	1-1/2"	2.68"

KK88 THREE SOCKET ANGLE TEE



Item #	Description	Pipe Size	D	E
GALVANIZED STEEL				
KK88-7	(88-7) For 1-1/4" IPS	1-1/4"	2.36"	5.67"
KK88-8	(88-8) For 1-1/2" IPS	1-1/2"	2.68"	6.22"

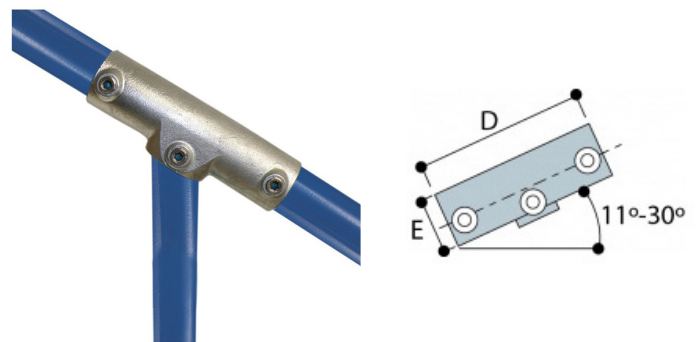
KKC50 SINGLE SWIVEL SOCKET



Item #	Description	Pipe Size
GALVANIZED STEEL		

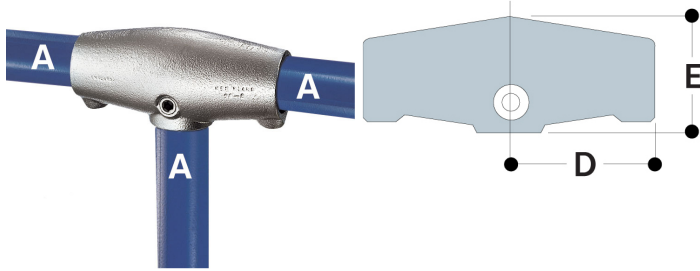
KKC50-44	(C50-44) For 1/2" IPS	1/2"
KKC50-55	(C50-55) For 3/4" IPS	3/4"
KKC50-66	(C50-66) For 1" IPS	1"
22-750-77	(C50-77) For 1-1/4" IPS	1-1/4"
KKC50-88	(C50-88) For 1-1/2" IPS	1-1/2"
KKC50-99	(C50-99) For 2" IPS	2"

KK327 ADJUSTABLE THREE SOCKET TEE



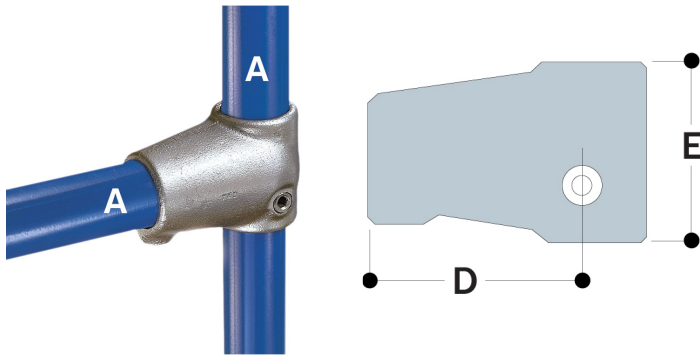
Item #	Description	Pipe Size	D	E
GALVANIZED STEEL				
KK327-7	(327-7) For 1-1/4" IPS	1-1/4"	7.09"	1.38"
KK327-8	(327-8) For 1-1/2" IPS	1-1/2"	8.50"	1.57"

KK90 PGR THREE SOCKET TEE



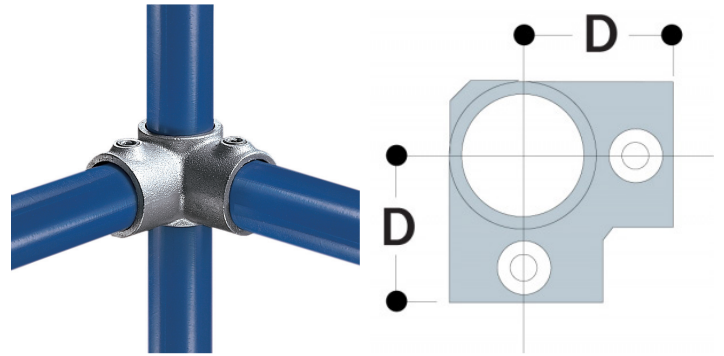
Item #	Description	Pipe Size	D	E
GALVANIZED STEEL				
KK90-8	(90-8) For 1-1/2" IPS	1-1/2"	3.9"	3.46"

KK93 PGR TEE



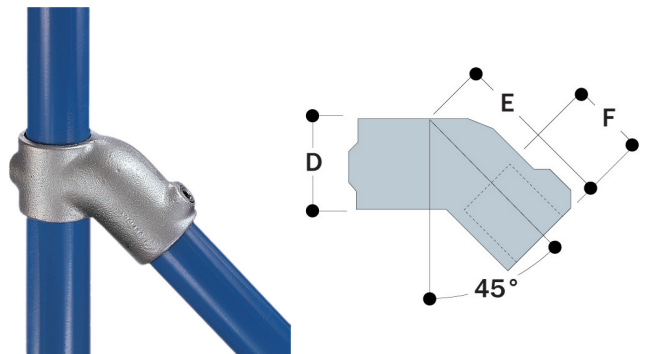
Item #	Description	Pipe Size	D	E
GALVANIZED STEEL				
KK93-8	(93-8) For 1-1/2" IPS	1-1/2"	3.9"	3.5"

KK21 90 DEGREE SIDE OUTLET TEE



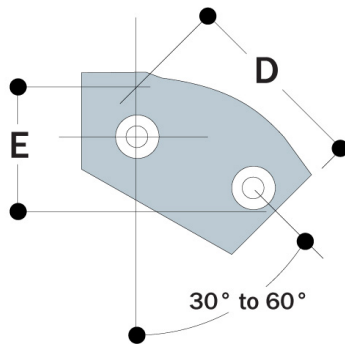
Item #	Description	Pipe Size	D
GALVANIZED STEEL			
KK21-4	(21-4) For 1-1/2" IPS	1/2"	1.34"
KK21-5	(21-5) For 3/4" IPS	3/4"	1.61"
KK21-6	(21-6) For 1" IPS	1"	1.81"
KK21-7	(21-7) For 1-1/4" IPS	1-1/4"	2.36"
KK21-8	(21-8) For 1-1/2" IPS	1-1/2"	2.68"
KK21-9	(21-9) For 2" IPS	2"	3.35"

KK12 45 DEGREE SINGLE SOCKET TEE



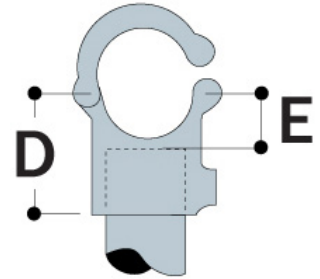
Item #	Description	Pipe Size	D	E	F
GALVANIZED STEEL					
KK12-5	(12-5) For 3/4" IPS	3/4"	1.38"	2.83"	1.38"
KK12-6	(12-6) For 1" IPS	1"	1.73"	3.35"	1.38"
KK12-7	(12-7) For 1-1/4" IPS	1-1/4"	2.17"	3.7"	1.57"
KK12-8	(12-8) For 1-1/2" IPS	1-1/2"	2.36"	4.25"	1.57"

KK29 30 DEGREE TO 60 DEGREE SINGLE SOCKET TEE



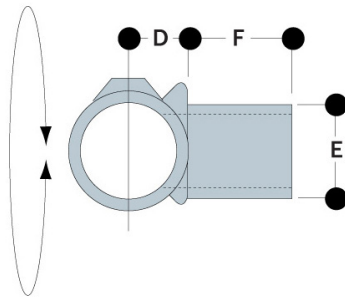
Item #	Description	Pipe Size	D	E
GALVANIZED STEEL				
KK29-6	(29-6) For 1" IPS	1"	2.87"	2.52"
22-760-7	(29-7) For 1-1/4" IPS	1-1/4" IPS	3.5"	2.91"
KK29-8	(29-8) For 1-1/2" IPS	1-1/2"	4.02"	2.68"

KKA10 SPLIT SINGLE SOCKET TEE



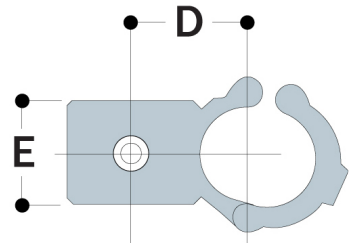
Item #	Description	Pipe Size	D	E
GALVANIZED STEEL				
KKA10-7S	(A10-7S) For 1-1/2" IPS	1-1/4"	2.36"	1.1"
KKA10-8	(A10-8) For 1-1/2" IPS	1-1/2"	3.46"	1.3"

KK114 SWIVEL TEE



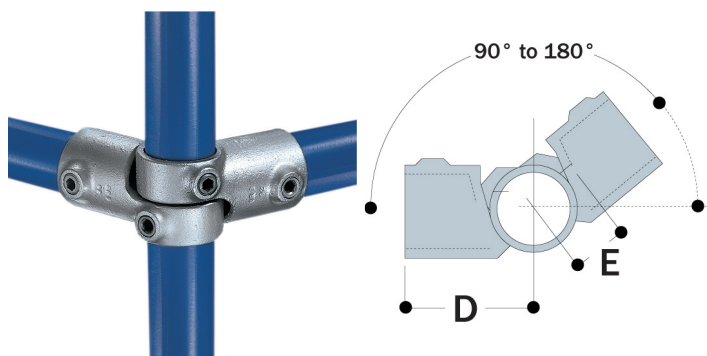
Item #	Description	Pipe Size	D	E	F
GALVANIZED STEEL					
KK114-6	(114-6) For 1" IPS	1"	0.91"	1.3"	1.14"
KK114-7	(114-7) For 1-1/4" IPS	1-1/4"	1.06"	1.65"	1.42"
KK114-8	(114-8) For 1-1/2" IPS	1-1/2"	1.18"	1.93"	1.61"

KKA45 SPLIT CROSSOVER



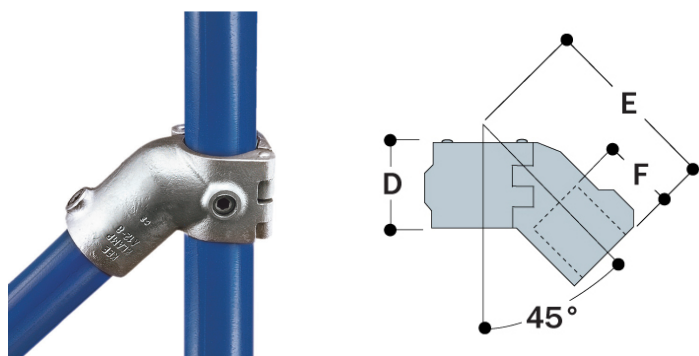
Item #	Description	Pipe Size	D	E
GALVANIZED STEEL				
KKA45-7	(A45-7) For 1-1/4" IPS	1-1/4"	1.93"	1.81"
KKA45-8	(A45-8) For 1-1/2" IPS	1-1/2"	2.17"	1.97"

KK19 ADJUSTABLE SIDE OUTLET TEE



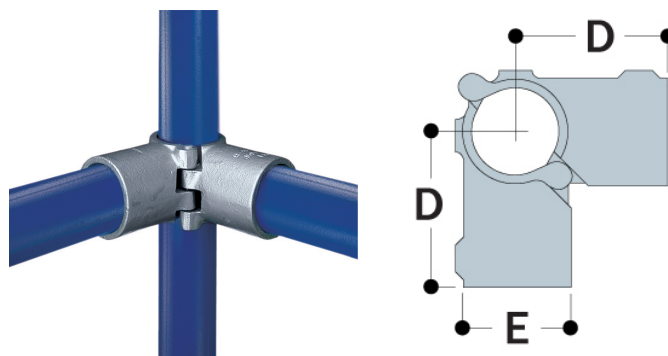
Item #	Description	Pipe Size	D	E
GALVANIZED STEEL				
KK19-5	(19-5) For 3/4" IPS	3/4"	2.36"	1.22"
KK19-6	(19-6) For 1" IPS	1"	2.28"	1.3"
KK19-7	(19-7) For 1-1/4" IPS	1-1/4"	2.87"	1.57"
KK19-8	(19-8) For 1-1/2" IPS	1-1/2"	3.54"	2.17"
KK19-85	(19-85) Reducing - For 1-1/2" IPS and 3/4" IPS	1-1/2" x 3/4"	3.54"	2.17"
KK19-9	(19-9) For 2" IPS	2"	4.33"	1.93"

KK12 SPLIT 45 DEGREE SINGLE SOCKET TEE



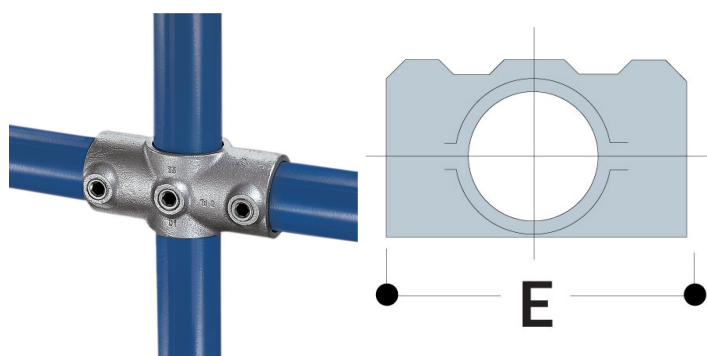
Item #	Description	Pipe Size	D	E	F
GALVANIZED STEEL					
KK12-8	(A12-8) For 1-1/2" IPS	1-1/2"	2.36"	4.8"	2.05"

KKA21/A26 SPLIT TWO SOCKET CROSS/90 DEGREE SIDE OUTLET TEE



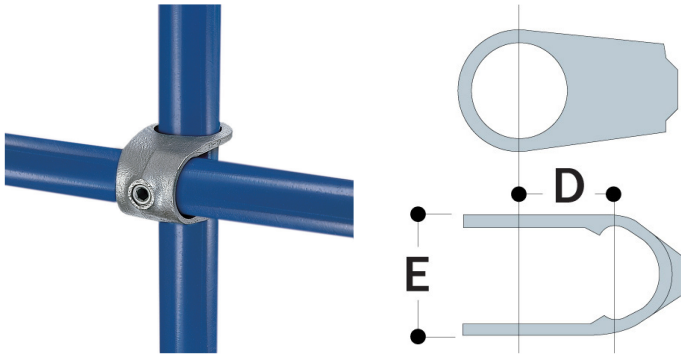
Item #	Description	Pipe Size	D	E
GALVANIZED STEEL				
KKA21/A26-8	(A21/A26-8) For 1-1/2" IPS	1-1/2"	3.46"	2.36"

KK26 TWO SOCKET CROSS



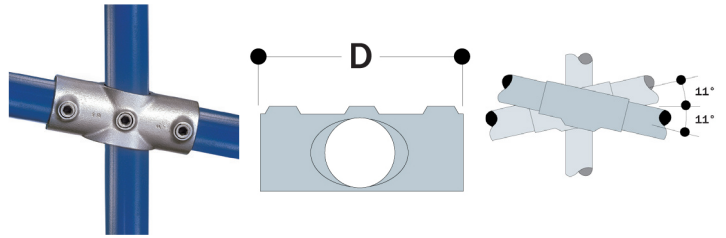
Item #	Description	Pipe Size	E
GALVANIZED STEEL			
KK26-4	(26-4) For 1/2" IPS	1/2"	2.68"
KK26-5	(26-5) For 3/4" IPS	3/4"	3.19"
KK26-6	(26-6) For 1" IPS	1"	3.62"
KK26-7	(26-7) For 1-1/4" IPS	1-1/4"	4.72"
KK26-8	(26-8) For 1-1/2" IPS	1-1/2"	5.35"
KK26-87	(26-87) Reducing - For 1-1/2" IPS and 1-1/4" IPS	1-1/2" x 1-1/4"	4.96"
KK26-9	(26-9) For 2" IPS	2"	6.77"

KK17 CLAMP-ON CROSSOVER



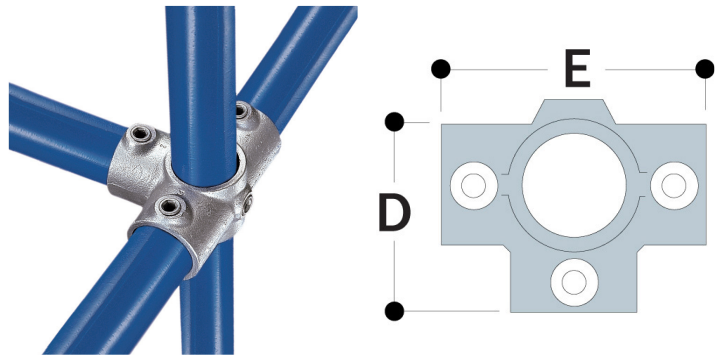
Item #	Description	Pipe Size	D	E
GALVANIZED STEEL				
KK17-5	(17-5) For 3/4" IPS	3/4"	1.06"	1.57"
KK17-6	(17-6) For 1" IPS	1"	1.34"	1.89"
KK17-7	(17-7) For 1-1/4" IPS	1-1/4"	1.69"	2.28"
KK17-8	(17-8) For 1-1/2" IPS	1-1/2"	1.93"	2.56"
KK17-9	(17-9) For 2" IPS	2"	2.4"	3.07"

KK89 TWO SOCKET ANGLE CROSS



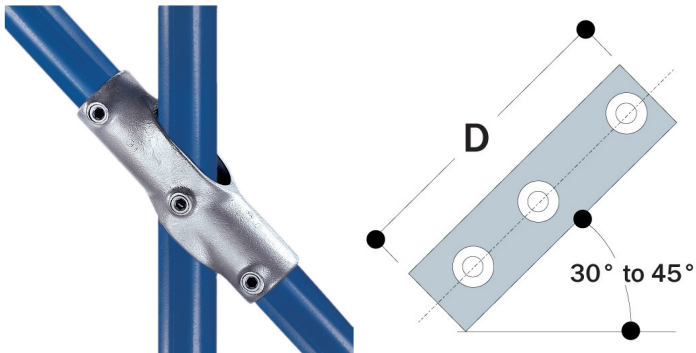
Item #	Description	Pipe Size	D
GALVANIZED STEEL			
KK89-7	(89-7) For 1-1/4" IPS	1-1/4"	5.67"
KK89-8	(89-8) For 1-1/2" IPS	1-1/2"	6.22"

KK35 THREE SOCKET CROSS



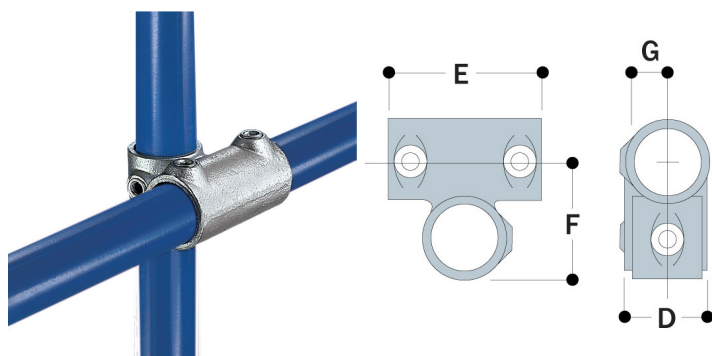
Item #	Description	Pipe Size	D	E
GALVANIZED STEEL				
KK35-4	(35-4) For 1/2" IPS	1/2"	1.34"	2.64"
KK35-5	(35-5) For 3/4" IPS	3/4"	1.61"	3.23"
KK35-6	(35-6) For 1" IPS	1"	1.81"	3.62"
KK35-7	(35-7) For 1-1/4" IPS	1-1/4"	2.36"	4.72"
KK35-8	(35-8) For 1-1/2" IPS	1-1/2"	2.68"	5.35"
KK35-9	(35-9) For 2" IPS	2"	3.35"	6.69"

KK30 30 TO 45 DEGREE ADJUSTABLE CROSS



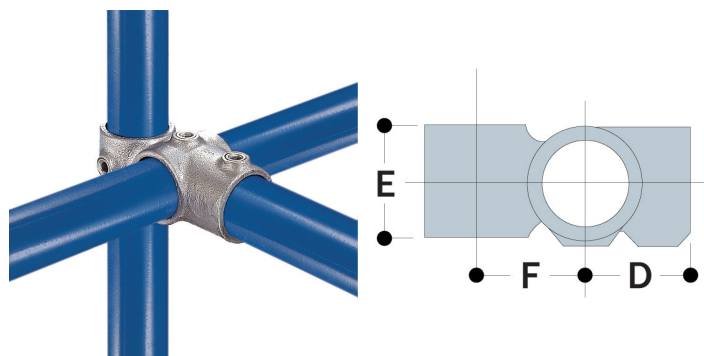
Item #	Description	Pipe Size	D
GALVANIZED STEEL			
KK30-6	(30-6) For 1" IPS	1"	5.75"
KK30-7	(30-7) For 1-1/4" IPS	1-1/4"	7.01"
KK30-8	(30-8) For 1-1/2" IPS	1-1/2"	8.5"

KK145 CROSSOVER COUPLING



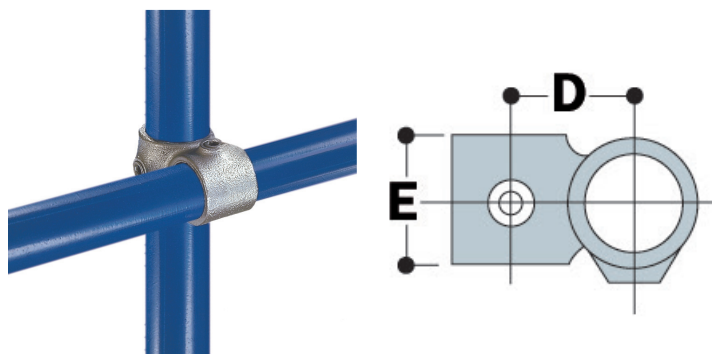
Item #	Description	Pipe Size	D	E	F	G	H
GALVANIZED STEEL							
KK145-7	(145-7) For 1-1/4" IPS	1-1/4"	2.17"	2.83"	1.93"	0.87"	1.1"

KK46 COMBINATION SOCKET TEE AND CROSSOVER



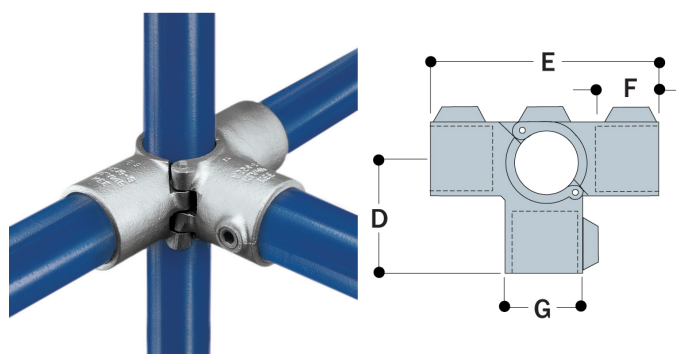
Item #	Description	Pipe Size	D	E	F
GALVANIZED STEEL					
KK46-4	(46-4) For 1/2" IPS	1/2"	1.34"	1.1"	0.98"
KK46-5	(46-5) For 3/4" IPS	3/4"	1.61"	1.22"	1.34"
KK46-6	(46-6) For 1" IPS	1"	1.81"	1.5"	1.57"
KK46-7	(46-7) For 1-1/4" IPS	1-1/4"	2.36"	1.81"	1.93"
KK46-8	(46-8) For 1-1/2" IPS	1-1/2"	2.68"	2.01"	2.17"
KK46-9	(46-9) For 2" IPS	2"	3.35"	2.4"	2.64"

KK45 CROSSOVER



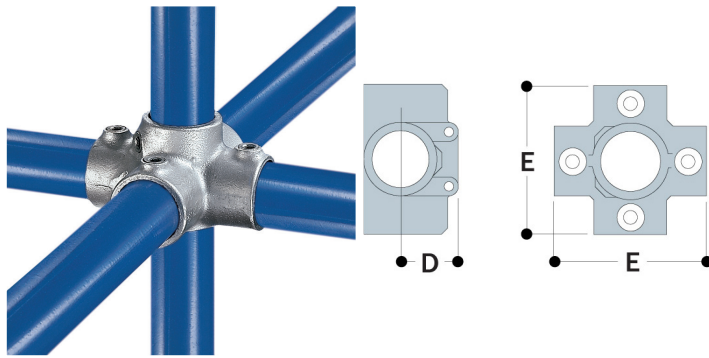
Item #	Description	Pipe Size	D	E
GALVANIZED STEEL				
KK45-4	(45-4) For 1/2" IPS	1/2"	0.98"	1.1"
KK45-5	(45-5) For 3/4" IPS	3/4"	1.34"	1.22"
KK45-6	(45-6) For 1" IPS	1"	1.57"	1.5"
KK45-65	(45-65) Reducing - For 1" IPS and 3/4" IPS	1" x 3/4"	1.42"	1.61"
KK45-7	(45-7) For 1-1/4" IPS	1-1/4"	2.17"	1.81"
KK45-76	(45-76) Reducing - For 1-1/4" IPS and 1" IPS	1-1/4" x 1"	1.77"	1.81"
KK45-8	(45-8) For 1-1/2" IPS	1-1/2"	2.17"	1.97"
KK45-86	(45-86) Reducing - For 1-1/2" IPS and 1" IPS	1-1/2" x 1"	1.89"	2.01"
KK45-87	(45-87) Reducing - For 1-1/2" IPS and 1-1/4" IPS	1-1/2" x 1-1/4"	2.01"	2.01"
KK45-9	(45-9) For 2" IPS	2"	2.64"	2.4"
KK45-98	(45-98) Reducing - For 2" IPS and 1-1/2" IPS	2" x 1-1/2"	2.36"	2.95"

KKA35 SPLIT THREE SOCKET CROSS



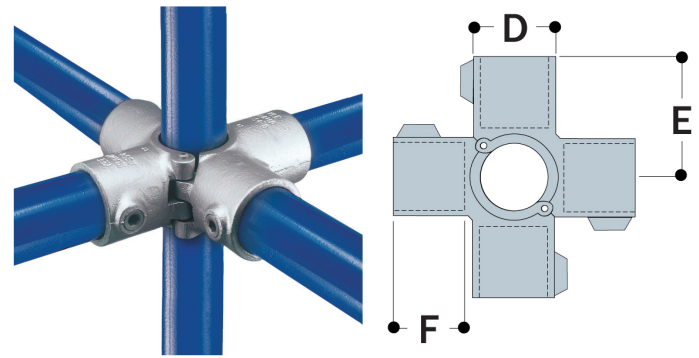
Item #	Description	Pipe Size	D	E	F	G
GALVANIZED STEEL						
KKA35-8	(A35-8) For 1-1/2" IPS	1-1/2"	3.46"	6.93"	2.17"	2.36"

KK40 FOUR SOCKET CROSS



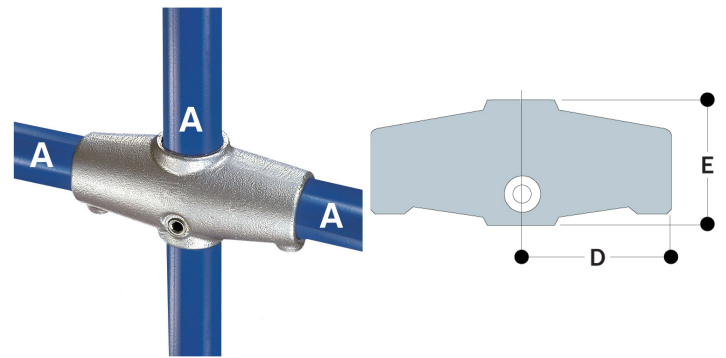
Item #	Description	Pipe Size	D	E
GALVANIZED STEEL				
KK40-5	(40-5) For 3/4" IPS	3/4"	1.26"	3.23"
KK40-6	(40-6) For 1" IPS	1"	1.46"	3.62"
KK40-7	(40-7) For 1-1/4" IPS	1-1/4"	1.69"	4.72"
KK40-8	(40-8) For 1-1/2" IPS	1-1/2"	2.09"	5.35"
KK40-9	(40-9) For 2" IPS	2"	2.44"	6.61"

KKA40 SPLIT FOUR SOCKET CROSS



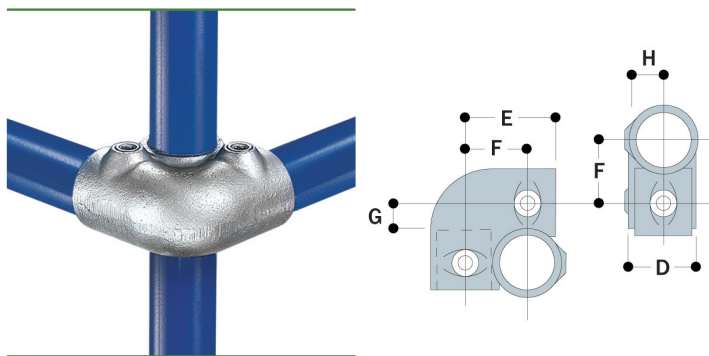
Item #	Description	Pipe Size	D	E	F
GALVANIZED STEEL					
KKA40-8	(A40-8) For 1-1/2" IPS	1-1/2"	2.36"	3.46"	2.17"

KK91 PGR TWO SOCKET CROSS



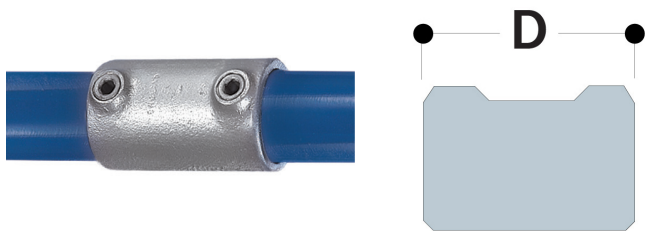
Item #	Description	Pipe Size	D	E
GALVANIZED STEEL				
KK91-8	(91-8) For 1-1/2" IPS	1-1/2"	3.9"	3.5"

KK121 CORNER CROSSOVER



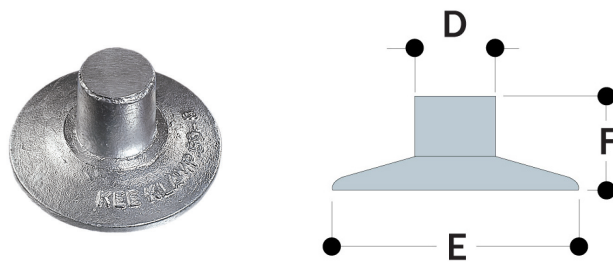
Item #	Description	Pipe Size	D	E	F	G	H
GALVANIZED STEEL							
KK121-7	(121-7) For 1-1/4" IPS	1-1/4"	2.17"	2.83"	1.93"	0.87"	1.1"

KK14 STRAIGHT COUPLING



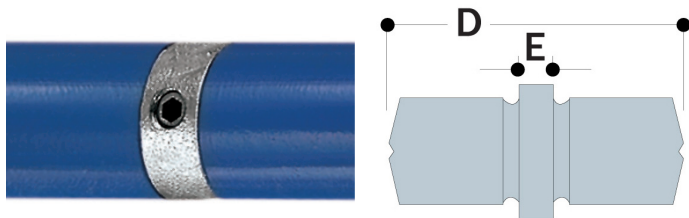
Item #	Description	Pipe Size	D
GALVANIZED STEEL			
KK14-4	(14-4) For 1/2" IPS	1/2"	2.28"
KK14-5	(14-5) For 3/4" IPS	3/4"	3.03"
KK14-6	(14-6) For 1" IPS	1"	3.5"
KK14-7	(14-7) For 1-1/4" IPS	1-1/4"	4.02"
KK14-8	(14-8) For 1-1/2" IPS	1-1/2"	4.09"
KK14-9	(14-9) For 2" IPS	2"	4.88"

KK59 SPIGOT FLANGE



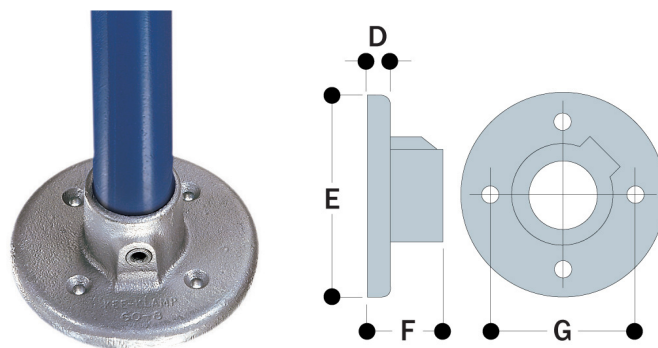
Item #	Description	Pipe Size	D	E	F
GALVANIZED STEEL					
KK59-5	(59-5) For 3/4" IPS	3/4"	0.75"	3.11"	1.1"
KK59-6	(59-6) For 1" IPS	1"	1.02"	3.43"	1.26"
KK59-7	(59-7) For 1-1/4" IPS	1-1/4"	1.3"	3.86"	1.38"
KK59-8	(59-8) For 1-1/2" IPS	1-1/2"	1.5"	4.06"	1.61"
KK59-9	(59-9) For 2" IPS	2"	2.01"	4.06"	1.85"

KK18 INTERNAL COUPLING



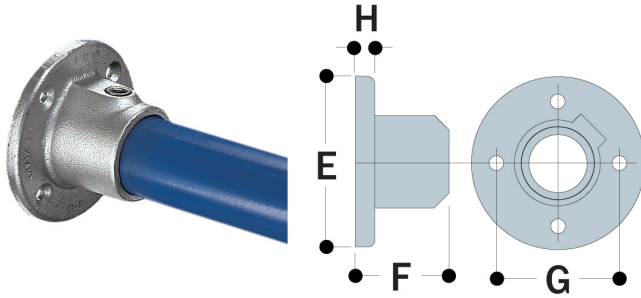
Item #	Description	Pipe Size	D	E
GALVANIZED STEEL				
KK18-6	(18-6) For 1" IPS	1"	2.99"	0.79"
KK18-7	(18-7) For 1-1/4" IPS	1-1/4"	2.99"	0.79"
KK18-8	(18-8) For 1-1/2" IPS	1-1/2"	3.74"	0.79"

KK60 EXTRA HEAVY FLANGE



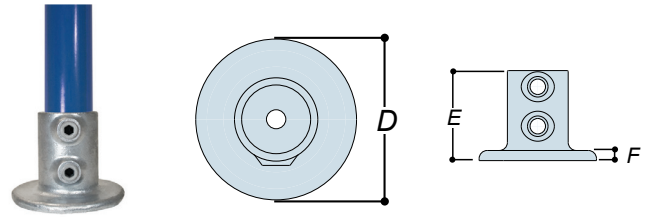
Item #	Description	Pipe Size	D	E	F	G
GALVANIZED STEEL						
KK60-5	(60-5) For 3/4" IPS	3/4"	0.55"	5.12"	2.52"	3.11"
KK60-6	(60-6) For 1" IPS	1"	0.55"	5.51"	2.52"	3.39"
KK60-7	(60-7) For 1-1/4" IPS	1-1/4"	0.55"	5.87"	2.52"	3.74"
KK60-8	(60-8) For 1-1/2" IPS	1-1/2"	0.55"	6.14"	2.52"	4.02"

KK61 FLANGE



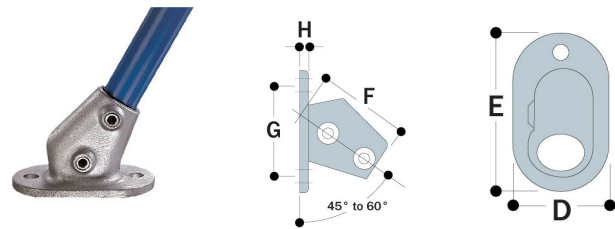
Item #	Description	Pipe Size	E	F	G	H
GALVANIZED STEEL						
KK61-4	(61-4) For 1/2" IPS	1/2"	2.99"	1.54"	2.13"	0.24"
KK61-5	(61-5) For 3/4" IPS	3/4"	3.15"	1.57"	2.24"	0.24"
KK61-6	(61-6) For 1" IPS	1"	3.54"	1.89"	2.52"	0.24"
KK61-7	(61-7) For 1-1/4" IPS	1-1/4"	4.02"	2.01"	2.99"	0.28"
KK61-8	(61-8) For 1-1/2" IPS	1-1/2"	4.49"	2.32"	3.5"	0.31"
KK61-9	(61-9) For 2" IPS	2"	5"	2.48"	3.74"	0.39"

KK262 BASE FLANGE



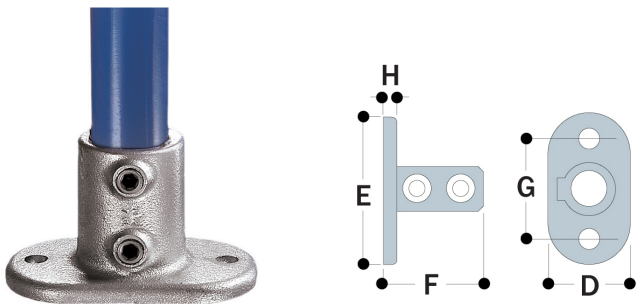
Item #	Description	Pipe Size	E	F	H
GALVANIZED STEEL					
KK262-8	(262-8) For 1-1/2" IPS	1-1/2"	4.57"	3.50"	0.39"

KK63 ANGLE BASE FLANGE



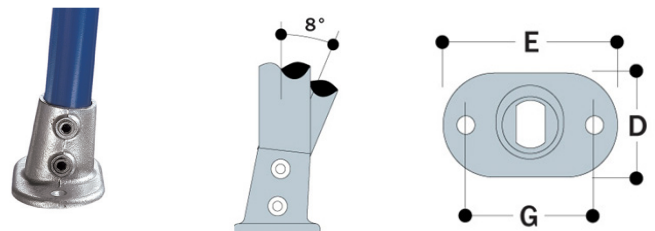
Item #	Description	Pipe Size	D	E	F	G	H
GALVANIZED STEEL							
KK63-6	(63-6) For 1" IPS	1"	2.99"	5"	3.62"	3.74"	0.31"
KK63-7	(63-7) For 1-1/4" IPS	1-1/4"	2.99"	5.43"	3.74"	4.17"	0.39"
KK63-8	(63-8) For 1-1/2" IPS	1-1/2"	3.5"	6.1"	3.94"	4.53"	0.39"

KK62 STANDARD RAILING FLANGE



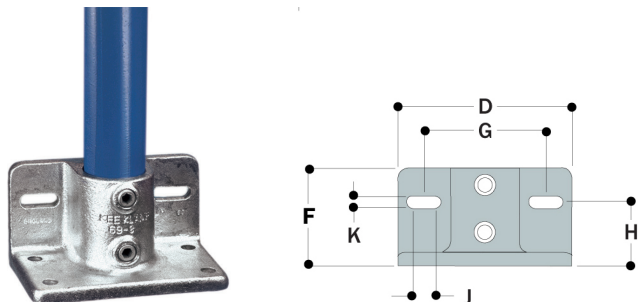
Item #	Description	Pipe Size	D	E	F	G	H
GALVANIZED STEEL							
KK62-5	(62-5) For 3/4" IPS	3/4"	2.52"	4.57"	2.99"	2.99"	0.31"
KK62-6	(62-6) For 1" IPS	1"	2.99"	5.04"	3.5"	3.5"	0.31"
22-531-7	(62-7) For 1-1/4" IPS	1-1/4"	2.95"	5.51"	3.5"	4.02"	0.39"
KK62-8	(62-8) For 1-1/2" IPS	1-1/2"	2.95"	5.51"	3.5"	4.53"	0.39"
KK62-9	(62-9) For 2" IPS	2"	4.02"	6.5"	5"	5"	0.39"

KK67 ANGLE FLANGE



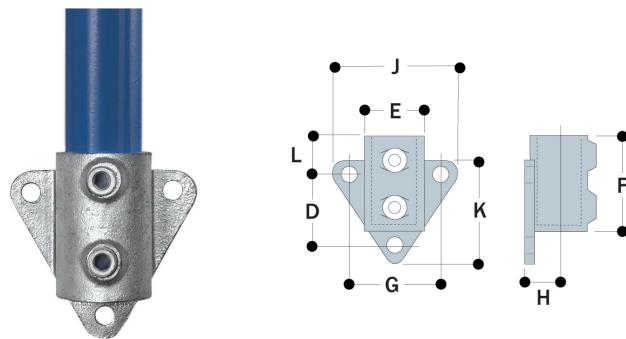
Item #	Description	Pipe Size	D	E	G
GALVANIZED STEEL					
KK67-7	(67-7) For 1-1/4" IPS	1-1/4"	3.27"	5.51"	4.02"
KK67-8	(67-8) For 1-1/2" IPS	1-1/2"	3.78"	6.1"	4.53"

KK69 RAIL FLANGE WITH TOE BOARD ADAPTER



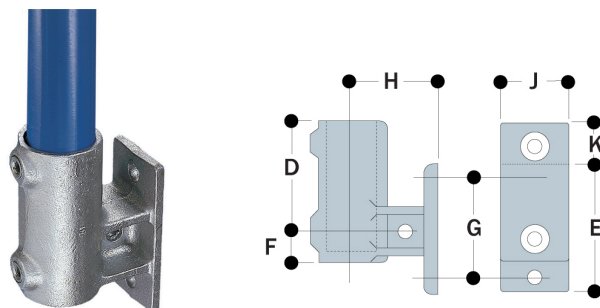
Item #	Description	Pipe Size	D	E	F	G	H	J + K
GALVANIZED STEEL								
KK69-6	(69-6) For 1" IPS	1"	5.12"	2.95"	3.5"	3.74"	2.28"	.59" + .39"
KK69-7	(69-7) For 1-1/4" IPS	1-1/4"	5.71"	3.15"	3.54"	3.82"	2.28"	.79" + .39"
KK69-8	(69-8) For 1-1/2" IPS	1-1/2"	6.3"	3.54"	3.54"	4.41"	2.28"	.79" + .39"

KK68 WALL FLANGE



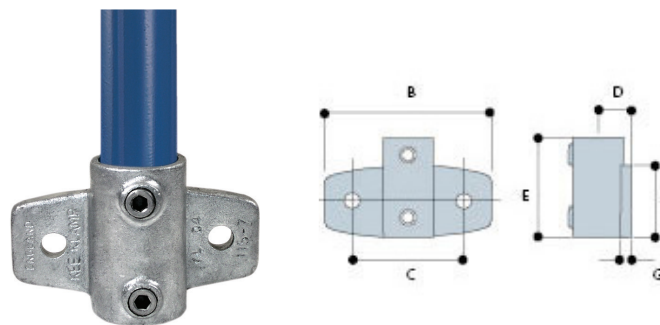
Item #	Description	Pipe Size	D	E	F	G	H	J + K
GALVANIZED STEEL								
KK68-6	(68-6) For 1" IPS	1"	2.48"	1.17"	3.03"	2.8"	.94"	3.78" + 4.06"
KK68-7	(68-7) For 1-1/4" IPS	1-1/4"	2.83"	2.17"	3.27"	3.27"	1.1"	4.25" + 4.29"
KK68-8	(68-8) For 1-1/2" IPS	1-1/2"	3.07"	2.36"	3.5"	3.39"	1.22"	4.37" + 4.57"

KK64 STANDARD VERTICAL RAILING BASE



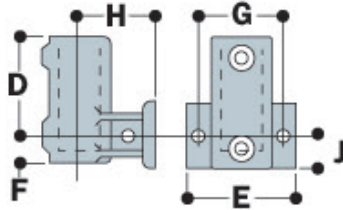
Item #	Description	Pipe Size	D	E	F	G	H	J + K
GALVANIZED STEEL								
KK64-6	(64-6) For 1" IPS	1"	3.39"	3.74"	0.87"	2.64"	2.24"	1.77" + 1.54"
KK64-7	(64-7) For 1-1/4" IPS	1-1/4"	3.31"	4.25"	1.18"	2.83"	2.52"	1.97" + 1.18"
KK64-8	(64-8) For 1-1/2" IPS	1-1/2"	3.5"	4.76"	1.26"	3.5"	2.76"	2.28" + 1.1"

KK115 WALL FLANGE



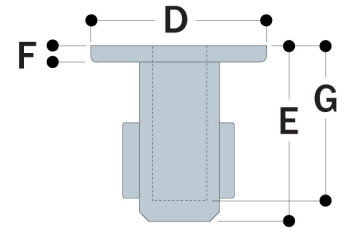
Item #	Description	Pipe Size	D	E	F	G
GALVANIZED STEEL						
KK115-6	(115-6) For 1" IPS	1"	1.18"	3.54"	2.56"	0.39"
KK115-7	(115-7) For 1-1/4" IPS	1-1/4"	1.38"	3.54"	2.56"	0.39"
KK115-8	(115-8) For 1-1/2" IPS	1-1/2"	1.61"	3.54"	2.56"	0.39"

KK65 STANDARD HORIZONTAL RAILING BASE



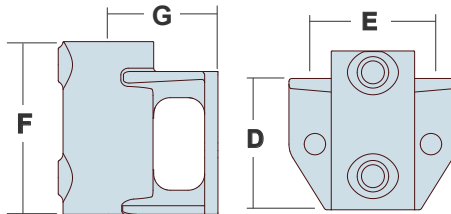
Item #	Description	Pipe Size	D	E	F	G	H	J
GALVANIZED STEEL								
KK65-6	(65-6) For 1" IPS	1"	3.27"	3.78"	0.87"	2.64"	2.24"	0.87"

KK66 GROUND SOCKET



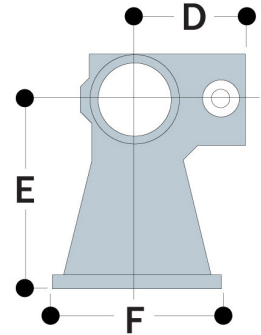
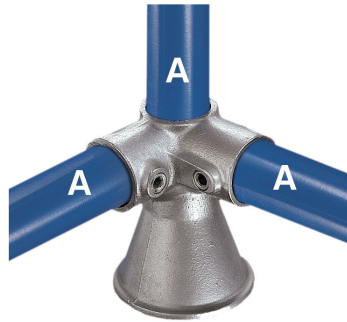
Item #	Description	Pipe Size	D	E	F	G
GALVANIZED STEEL						
KK66-6	(66-6) For 1" IPS	1"	5"	4.8"	0.39"	4.53"
KK66-7	(66-7) For 1-1/4" IPS	1-1/4"	5.51"	5.31"	0.39"	5"
KK66-8	(66-8) For 1-1/2" IPS	1-1/2"	5.51"	5.31"	0.39"	5"

KK265 OFFSET RAILING BASE



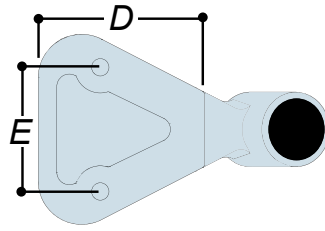
Item #	Description	Pipe Size	D	E	F	G
GALVANIZED STEEL						
KK265-7	(265-7) For 1-1/4" IPS	1-1/4"	3.39"	2.99"	4.09"	2.60"
KK265-8	(265-8) For 1-1/2" IPS	1-1/2"	3.39"	3.55"	4.69"	2.91"

KK31 PALLET FLANGE



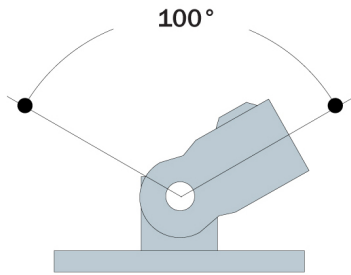
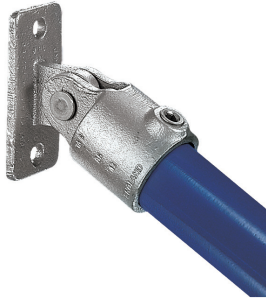
Item #	Description	Pipe Size	D	E	F
GALVANIZED STEEL					
KK31-8	(31-8) For 1-1/2" IPS	1-1/2"	2.99"	5"	4.53"

KK316 PARAPET FLANGE



Item #	Description	Pipe Size	D	E
GALVANIZED STEEL				
KK316-7	(316-7) For 1-1/4" IPS	1-1/4"	5.35"	4.25"
KK316-8	(316-8) For 1-1/2" IPS	1-1/2"	5.42"	4.25"

KKC58 SWIVEL FLANGE



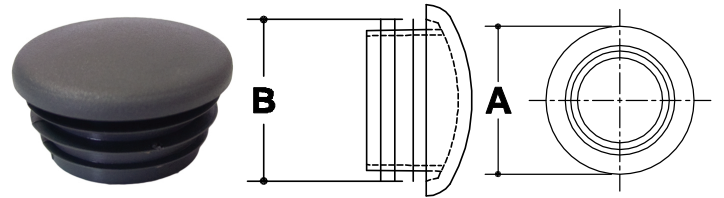
Item #	Description	Pipe Size
GALVANIZED STEEL		
KKC58-5	(C58-5) For 3/4" IPS	3/4"
KKC58-6	(C58-6) For 1" IPS	1"
KKC58-7	(C58-7) For 1-1/4" IPS	1-1/4"
KKC58-8	(C58-8) For 1-1/2" IPS	1-1/2"
KKC58-9	(C58-9) For 2" IPS	2"

KK84 MALLEABLE PLUG



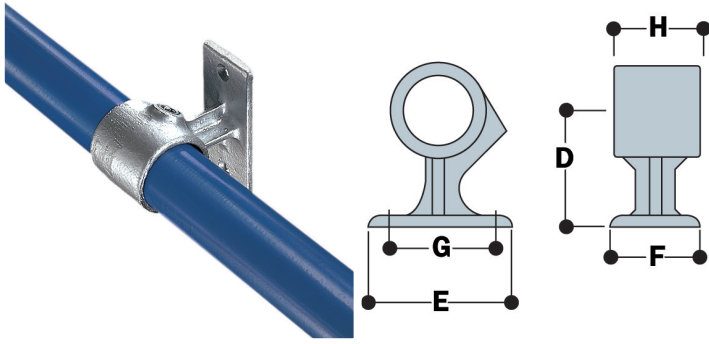
Item #	Description	Pipe Size
GALVANIZED STEEL		
KK84-5	(84-5) For 3/4" IPS	3/4"
KK84-6	(84-6) For 1" IPS	1"
KK84-7	(84-7) For 1-1/4" IPS	1-1/4"
KK84-8	(84-8) For 1-1/2" IPS	1-1/2"
KK84-9	(84-9) For 2" IPS	2"

KK133 PLASTIC PLUG SERIES



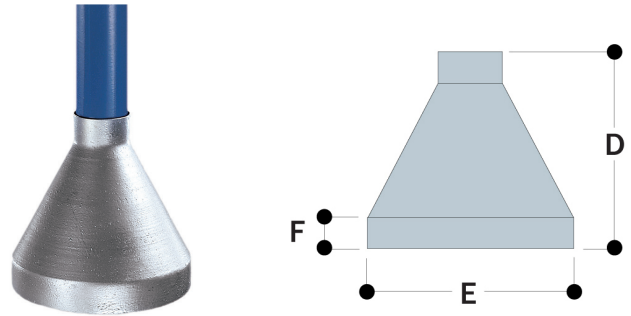
Item #	Description	Pipe Size	A	B
PLASTIC				
KK133-A	(133-A) For 3/4" IPS Sch 40	3/4"	1.05"	.75"
KK133-B	(133-B) For 1" IPS Sch 40	1"	1.315"	1"
KK133-C	(133-C) For 1-1/4" IPS Sch 40	1-1/4"	1.90"	1.5"
KK133-D	(133-D) For 1-1/2" IPS Sch 40	1-1/2"	1.66"	1.25"
KK133-E	(133-E) For 2" IPS Sch 40	2"	2.375"	2.00"

KK70 RAIL SUPPORT



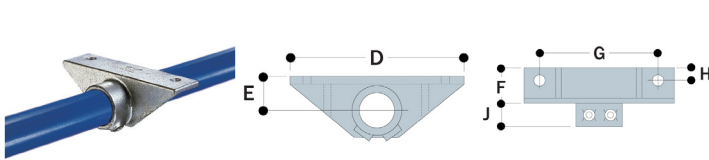
Item #	Description	Pipe Size	D	E	F	G	H
GALVANIZED STEEL							
KK70-5	(70-5) For 3/4" IPS	3/4"	2.13"	2.99"	1.81"	2.24"	1.5"
KK70-6	(70-6) For 1" IPS	1"	2.28"	3.46"	1.57"	2.76"	1.5"
KK70-7	(70-7) For 1-1/4" IPS	1-1/4"	2.52"	4.02"	1.77"	3.23"	1.77"
KK70-8	(70-8) For 1-1/2" IPS	1-1/2"	2.76"	4.25"	2.05"	3.23"	2.28"

KK71 WEATHER CAP



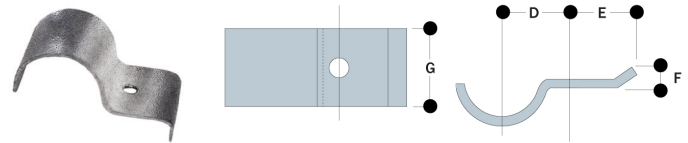
Item #	Description	Pipe Size	D	E	F
GALVANIZED STEEL					
KK71-6	(71-6) For 1" IPS	1"	4.92"	5.63"	0.98"
KK71-7	(71-7) For 1-1/4" IPS	1-1/4"	5.91"	6.06"	0.98"
KK71-8	(71-8) For 1-1/2" IPS	1-1/2"	6.1"	6.57"	0.98"

KK72 STAIR TREAD SUPPORT



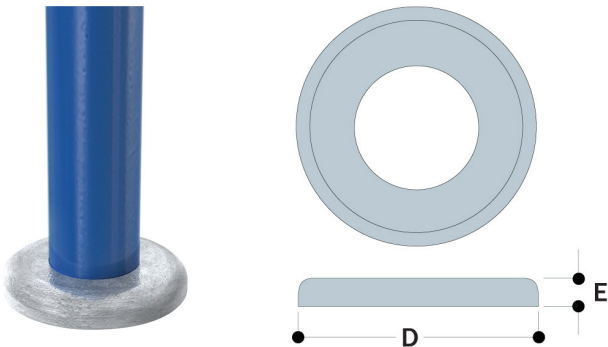
Item #	Description	Pipe Size	D	E	F	G	H	J
GALVANIZED STEEL								
KK72-8	(72-8) For 1-1/2" IPS	1-1/2"	7.99"	1.54"	2.01"	6.02"	0.79"	1.3"

KK105 SHEETING CLIP WITHOUT HARDWARE



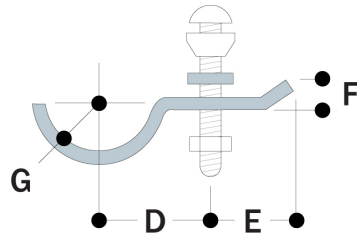
Item #	Description	Pipe Size	D	E	F	G
GALVANIZED STEEL						
KK105-6	(105-6) For 1" IPS	1"	1.26"	1.5"	0.51"	1.97"
KK105-7	(105-7) For 1-1/4" IPS	1-1/4"	1.5"	1.57"	0.51"	1.97"
KK105-8	(105-8) For 1-1/2" IPS	1-1/2"	1.57"	1.57"	0.51"	1.97"
KK105-9	(105-9) For 2" IPS	2"	1.89"	1.57"	0.51"	1.97"

KK118 ROSE COVER



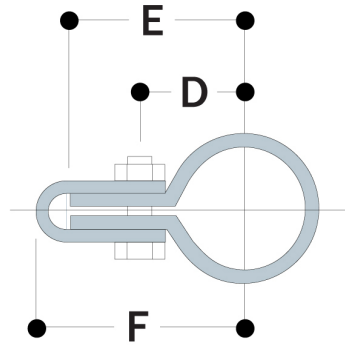
Item #	Description	Pipe Size	D	E
GALVANIZED STEEL				
KK118-8	(118-8) For 1-1/2" IPS	1-1/2"	3.94"	0.59"

KK79 SHEETING CLIP



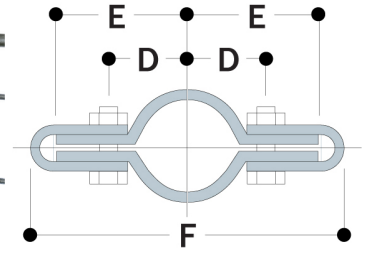
Item #	Description	Pipe Size	D	E	F	G
GALVANIZED STEEL						
KK79-7	(79-7) For 1-1/4" IPS	1-1/4"	1.81"	1.34"	0.31"	0.83"

KK81 SINGLE SIDED CLIP



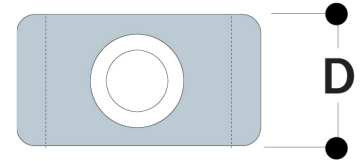
Item #	Description	Pipe Size	D	E	F
GALVANIZED STEEL					
KK81-5	(81-5) For 3/4" IPS	3/4"	0.94"	1.54"	2.2"
KK81-6	(81-6) For 1" IPS	1"	1.06"	1.65"	2.32"
KK81-7	(81-7) For 1-1/4" IPS	1-1/4"	1.26"	1.85"	2.52"
KK81-8	(81-8) For 1-1/2" IPS	1-1/2"	1.34"	1.93"	2.6"
KK81-9	(81-9) For 2" IPS	2"	1.57"	2.17"	2.83"

KK82 DOUBLE SIDED CLIP



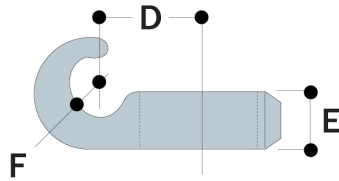
Item #	Description	Pipe Size	D	E	F
GALVANIZED STEEL					
KK82-5	(82-5) For 3/4" IPS	3/4"	0.94"	1.54"	4.41"
KK82-6	(82-6) For 1" IPS	1"	1.06"	1.65"	4.65"
KK82-7	(82-7) For 1-1/4" IPS	1-1/4"	1.26"	1.85"	5.04"
KK82-8	(82-8) For 1-1/2" IPS	1-1/2"	1.34"	1.93"	5.2"
KK82-9	(82-9) For 2" IPS	2"	1.57"	2.17"	5.67"

KK75 COLLAR



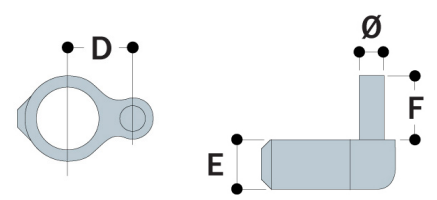
Item #	Description	Pipe Size	D
GALVANIZED STEEL			
KK75-4	(75-4) For 1/2" IPS	1/2"	0.87"
KK75-5	(75-5) For 3/4" IPS	3/4"	0.98"
KK75-6	(75-6) For 1" IPS	1"	1.02"
KK75-8	(75-8) For 1-1/2" IPS	1-1/2"	0.98"

KK76 HOOK



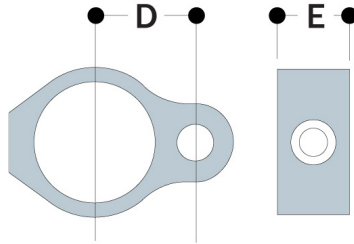
Item #	Description	Pipe Size	D	E	F
GALVANIZED STEEL					
KK76-5	(76-5) For 3/4" IPS	3/4"	1.1"	0.98"	1.1"
KK76-6	(76-6) For 1" IPS	1"	1.38"	0.98"	0.51"
KK76-7	(76-7) For 1-1/4" IPS	1-1/4"	1.57"	0.98"	1.57"
KK76-8	(76-8) For 1-1/2" IPS	1-1/2"	1.61"	0.98"	0.57"

KK83 PIN FITTING



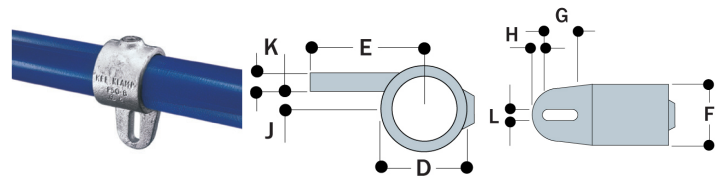
Item #	Description	Pipe Size	D	E	F
GALVANIZED STEEL					
KK83-5	(83-5) For 3/4" IPS	3/4"	1.18"	1.02"	1.5"
KK83-6	(83-6) For 1" IPS	1"	1.3"	0.98"	1.5"
KK83-7	(83-7) For 1-1/4" IPS	1-1/4"	1.5"	0.98"	1.5"
KK83-8	(83-8) For 1-1/2" IPS	1-1/2"	1.61"	1.02"	1.5"

KK78 EYE FITTING



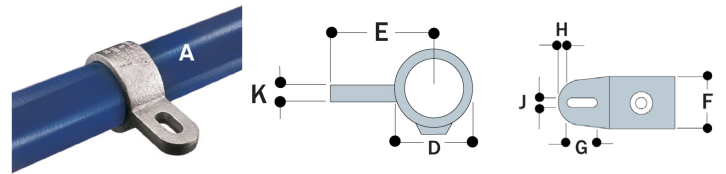
Item #	Description	Pipe Size	D	E
GALVANIZED STEEL				
KK78-5	(78-5) For 3/4" IPS	3/4"	1.18"	0.98"
KK78-6	(78-6) For 1" IPS	1"	1.3"	1.02"
KK78-7	(78-7) For 1-1/4" IPS	1-1/4"	1.5"	1.02"
KK78-8	(78-8) For 1-1/2" IPS	1-1/2"	1.61"	1.02"

KKP50 OFFSET SINGLE TAB PANEL W/SLOT



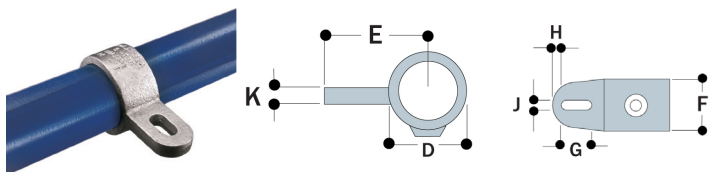
Item #	Description	Pipe Size	D	E	F	G	H	J + K + L
GALVANIZED STEEL								
KKP50-8	(P50-8) For 1-1/2" IPS	1-1/2"	2.4"	3.15"	1.85"	1.26"	0.31"	.59" + .43" + .51"

KKP57SLOT SINGLE TAB PANEL W/ SLOT



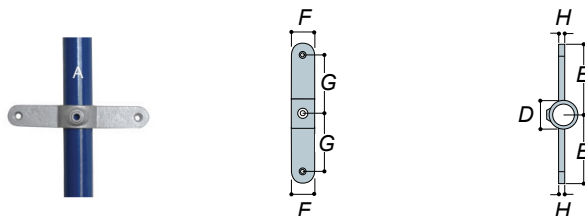
Item #	Description	Pipe Size	D	E	F	G	H	J
GALVANIZED STEEL								
KKP57SLOT-8	(P57-8) For 1-1/2" IPS	1-1/2"	2.4"	3.05"	1.26"	0.89"	0.35"	0.39"

KKP57 SINGLE TAB PANEL W/ RECESSED HOLE



Item #	Description	Pipe Size	D	E	F	G	H
GALVANIZED STEEL							
KKP57-7	(P57-7) For 1-1/4" IPS	1-1/4"	2.17"	4.06"	1.26"	3.39"	0.43"

KKP58 DOUBLE TAB PANEL W/ RECESSED HOLE



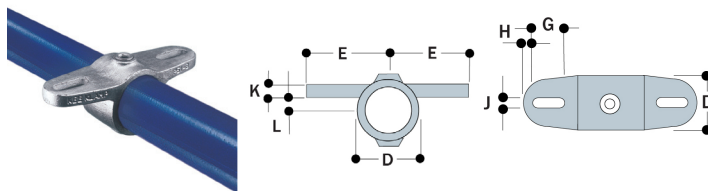
Item #	Description	Pipe Size	D	E	F	G	H
GALVANIZED STEEL							
KKP58-7	(P58-7) For 1-1/4" IPS	1-1/4"	2.15"	4.06"	1.26"	3.39"	0.43"

KKF50 FEMALE SINGLE SWIVEL SOCKET MEMBER



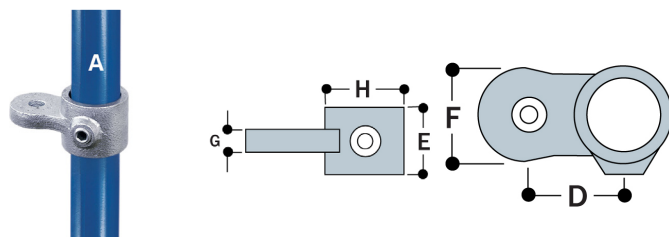
Item #	Description	Pipe Size
GALVANIZED STEEL		
KKF50-4	(F50-4) For 1/2" IPS	1/2"
KKF50-5	(F50-5) For 3/4" IPS	3/4"
KKF50-6	(F50-6) For 1" IPS	1"
KKF50-7	(F50-7) For 1-1/4" IPS	1-1/4"
KKF50-8	(F50-8) For 1-1/2" IPS	1-1/2"
KKF50-9	(F50-9) For 2" IPS	2"

KKP51 OFFSET DOUBLE TAB PANEL W/SLOT



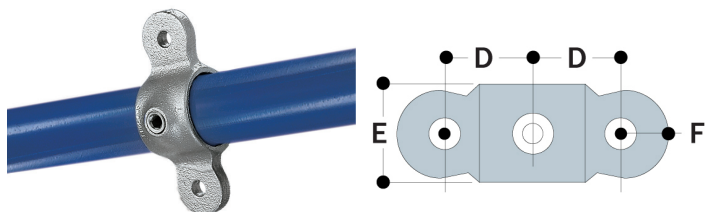
Item #	Description	Pipe Size	D	E	F	G	H	J + K
GALVANIZED STEEL								
KKP51-8	(P51-8) For 1-1/2" IPS	1-1/2"	2.4"	3.19"	1.85"	1.26"	.31"	.39" + .43"

KKMH50 MALE SINGLE HORIZONTAL SWIVEL SOCKET MEMBER



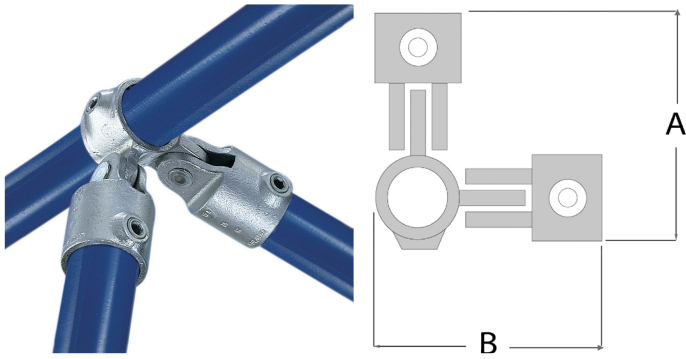
Item #	Description	Pipe Size	D	E	F	G	H
GALVANIZED STEEL							
KKMH50-6	(MH50-6) For 1" IPS	1"	1.69"	1.5"	1.5"	0.43"	1.81"

KKM51 MALE DOUBLE SWIVEL SOCKET MEMBER



Item #	Description	Pipe Size	D	E	F
GALVANIZED STEEL					
KKM51-5	(M51-5) For 3/4" IPS	3/4"	1.57"	1.5"	0.75"
KKM51-6	(M51-6) For 1" IPS	1"	1.69"	1.5"	0.75"
KKM51-7	(M51-7) For 1-1/4" IPS	1-1/4"	1.89"	1.77"	0.75"
KKM51-8	(M51-8) For 1-1/2" IPS	1-1/2"	2.13"	1.77"	0.75"
KKM51-9	(M51-9) For 2" IPS	2"	2.44"	2.05"	0.75"

KKC52 CORNER SWIVEL SOCKET

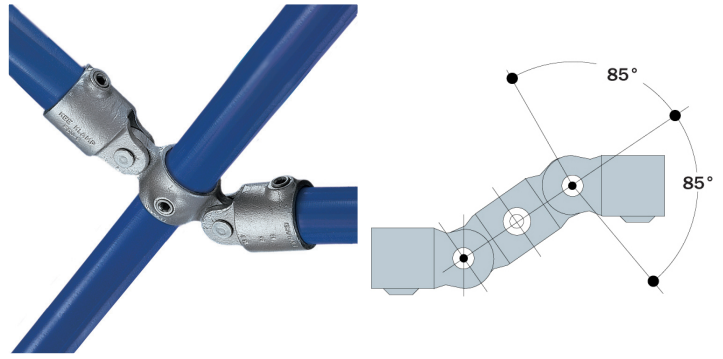


Item # Description Pipe Size

GALVANIZED STEEL

KKC52-555	(C52-555) For 3/4" IPS	3/4"
KKC52-666	(C52-666) For 1" IPS	1"
KKC52-777	(C52-777) For 1-1/4" IPS	1-1/4"
KKC52-888	(C52-888) For 1-1/2" IPS	1-1/2"

KKC51 DOUBLE SWIVEL SOCKET

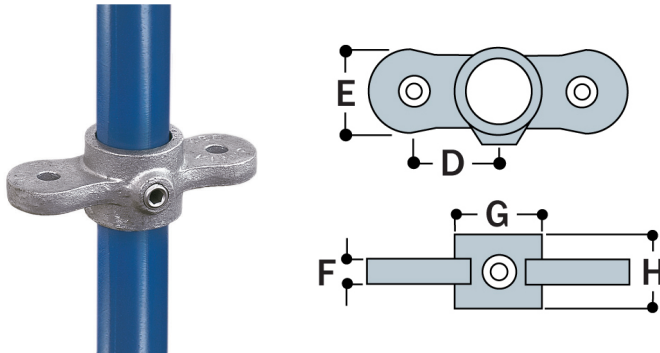


Item # Description Pipe Size

GALVANIZED STEEL

KKC51-555	(C51-555) For 3/4" IPS	3/4"
KKC51-666	(C51-666) For 1" IPS	1"
KKC51-777	(C51-777) For 1-1/4" IPS	1-1/4"
KKC51-888	(C51-888) For 1-1/2" IPS	1-1/2"
KKC51-999	(C51-999) For 2" IPS	2"

KKMH51 MALE HORIZONTAL DOUBLE SWIVEL SOCKET MEMBER

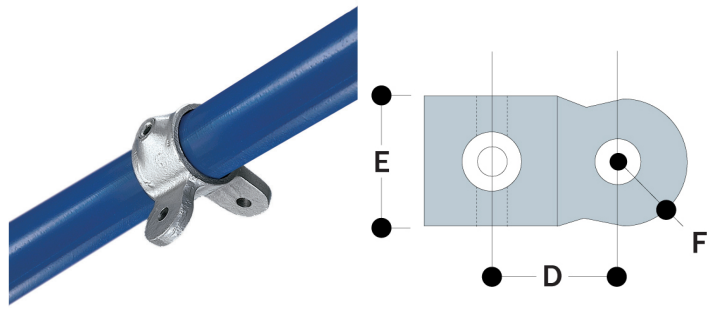


Item # Description Pipe Size D E F G H

GALVANIZED STEEL

KKMH51-6	(MH51-6) For 1" IPS	1"	1.69"	1.5"	0.43"	1.81"	1.5"
----------	---------------------	----	-------	------	-------	-------	------

KKM52 MALE CORNER SWIVEL SOCKET MEMBER



Item # Description Pipe Size D E F

GALVANIZED STEEL

KKM52-5	(M52-5) For 3/4" IPS	3/4"	1.57"	1.5"	0.75"
KKM52-6	(M52-6) For 1" IPS	1"	1.69"	1.5"	0.75"
KKM52-7	(M52-7) For 1-1/4" IPS	1-1/4"	1.97"	1.77"	0.75"
KKM52-8	(M52-8) For 1-1/2" IPS	1-1/2"	2.13"	1.85"	0.75"

KK320 LEVEL TO SLOPING DOWN SIDE OUTLET ELBOW

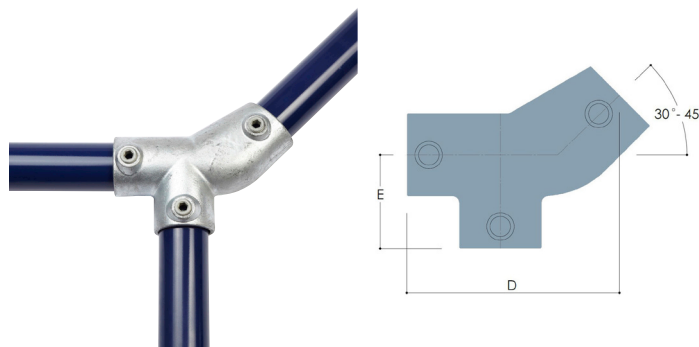


Item #	Description	Pipe Size	Position	D	E	F
--------	-------------	-----------	----------	---	---	---

GALVANIZED STEEL

KK320LH-7	For 1-1/4" IPS	1-1/4"	Left	2.36"	3.39"	1.14"
KK320RH-7	For 1-1/4" IPS	1-1/4"	Right	3.39"	1.06"	1.14"
KK320LH-8	For 1-1/2" IPS	1-1/2"	Left	2.68"	3.66"	1.26"
KK320RH-8	For 1-1/2" IPS	1-1/2"	Right	3.62"	1.18"	1.26"

KK325A LEVEL TO SLOPING UP TEE

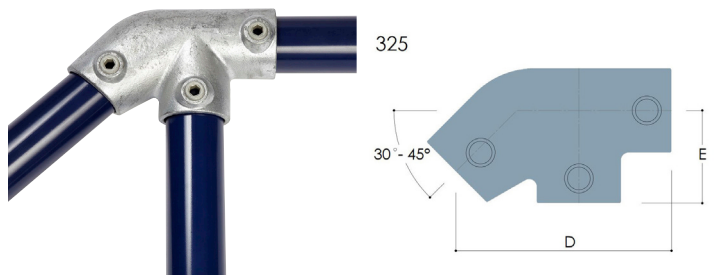


Item #	Description	Pipe Size	D	E	F	G
--------	-------------	-----------	---	---	---	---

GALVANIZED STEEL

KK325A-7	For 1-1/4" IPS	1-1/4"	5.59"	2.36"	2.36"	3.50"
KK325A-8	For 1-1/2" IPS	1-1/2"	6.10"	2.68"	2.68"	3.94"

KK325 LEVEL TO SLOPING DOWN TEE

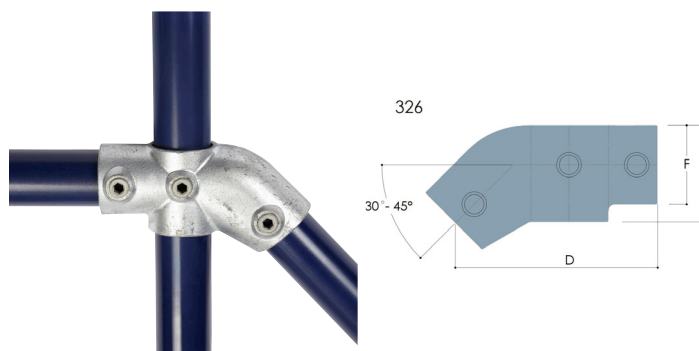


Item #	Description	Pipe Size	D	E	F	G
--------	-------------	-----------	---	---	---	---

GALVANIZED STEEL

KK325-7	For 1-1/4" IPS	1-1/4"	5.59"	2.68"	3.5"	2.36"
KK325-8	For 1-1/2" IPS	1-1/2"	6.06"	2.91"	3.94"	2.68"

KK326 LEVEL TO SLOPING DOWN OR UP CROSS

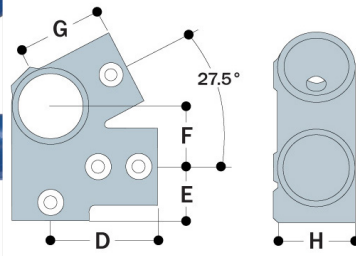


Item #	Description	Pipe Size	D	E	F	G
--------	-------------	-----------	---	---	---	---

GALVANIZED STEEL

KK326-7	For 1-1/4" IPS	1-1/4"	5.59"	2.36"	3.5"	2.36"
KK326-8	For 1-1/2" IPS	1-1/2"	6.06"	2.68"	3.94"	2.68"

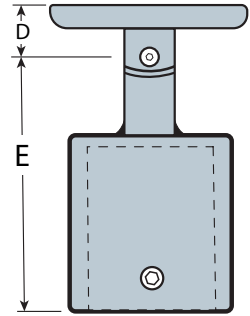
KK350 EAVE FITTING



Item #	Description	Pipe Size	D	E	F	G	H
GALVANIZED STEEL							
KK350-8	(350-8) For 1-1/2" IPS	1-1/2"	3.27"	1.65"	1.85"	2.64"	2.36"

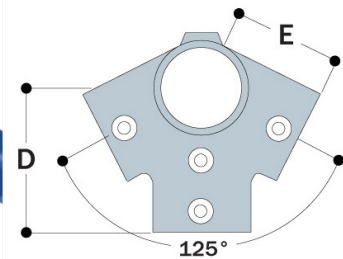
KK555 ADJUSTABLE SADDLE FOR RAILINGS

Designed to mount on top of a vertical post 1-1/2" IPS. Top saddle is designed to hold 1-1/4" IPS.



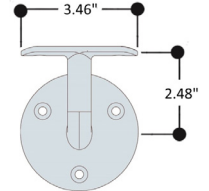
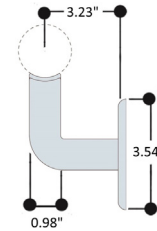
Item #	Description	Pipe Size	D	E
GALVANIZED STEEL				
KK555-8	For 1-1/2" IPS and 1-1/4" IPS	1-1/2"	0.51"	3.5"

KK351 RIDGE FITTING



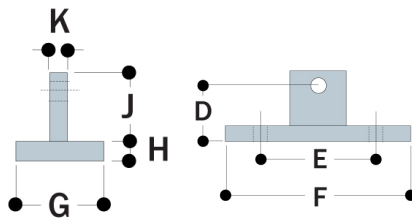
Item #	Description	Pipe Size	D	E	F
GALVANIZED STEEL					
KK351-8	(351-8) For 1-1/2" IPS	1-1/2"	3.5"	2.64"	2.36"

KK570 WALL MOUNTED HANDRAIL BRACKET



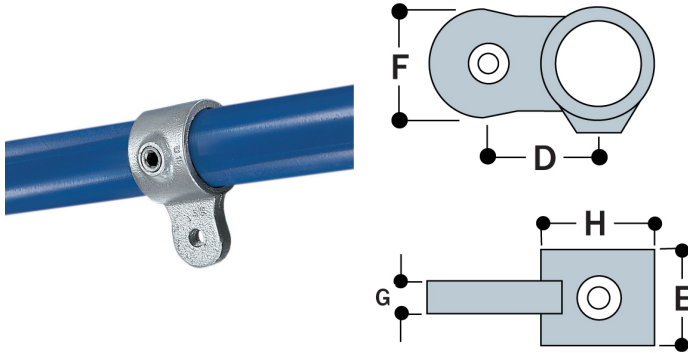
Item #	Description	Pipe Size
GALVANIZED STEEL		
KK570-7	For 1-1/4" IPS	1-1/4"

KK-M58 BASE PLATE



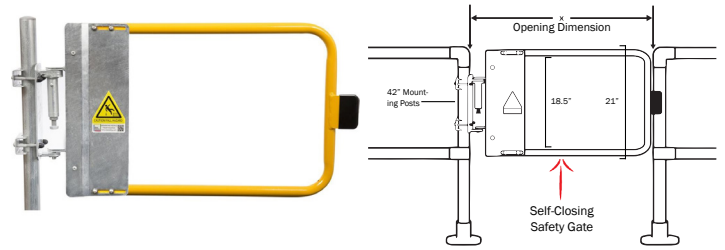
Item #	Description	D	E	F	G	H	J + K
GALVANIZED STEEL							
KKM58	(M58) Base Plate Galvanized Steel	1.38"	3.31"	4.41"	2.01"	.24"	1.77" + .35"

KKM50 MALE SINGLE SWIVEL SOCKET MEMBER



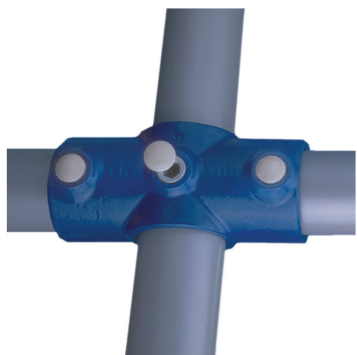
Item #	Description	Pipe Size	D	E	F
GALVANIZED STEEL					
KKM50-4	(M50-4) For 1/2" IPS	1/2"	1.1"	0.79"	0.43"
KKM50-5	(M50-5) For 3/4" IPS	3/4"	1.57"	1.5"	0.75"
KKM50-6	(M50-6) For 1" IPS	1"	1.69"	1.5"	0.75"
KKM50-7	(M50-7) For 1-1/4" IPS	1-1/4"	1.89"	1.5"	0.75"
KKM50-8	(M50-8) For 1-1/2" IPS	1-1/2"	2.13"	1.85"	0.75"
KKM50-9	(M50-9) For 2" IPS	2"	2.44"	1.77"	0.75"

SCGATE SELF-CLOSING SAFETY GATE



Item #	Description	Length
GALVANIZED STEEL		
22-SCGATE/18	(SGNA018GV) 18" Gate (Range Min 16.5" - Max 20")	18"
22-SCGATE/21	(SGNA021GV) 21" Gate (Range Min 19.5" - Max 23")	21"
22-SCGATE/24	(SGNA024GV) 24" Gate (Range Min 22.5" - Max 26")	24"
22-SCGATE/27	(SGNA027GV) 27" Gate (Range Min 25.5" - Max 29")	27"
22-SCGATE/30	(SGNA030GV) 30" Gate (Range Min 28.5" - Max 32")	30"
22-SCGATE/33	(SGNA033GV) 33" Gate (Range Min 31.5" - Max 35")	33"
22-SCGATE/36	(SGNA036GV) 36" Gate (Range Min 34.5" - Max 38")	36"
22-SCGATE/40	(SGNA040GV) 40" Gate (Range Min 38.5" - Max 42")	40"
22-SCGATE/48	(SGNA048GV) 48" Gate (Range Min 46.5" - Max 48")	48"
GALVANIZED STEEL YELLOW POWDER COAT		
22YL-SCGATE/18	(SGNA018PC) 18" Gate (Range Min 16.5" - Max 20")	18"
22YL-SCGATE/21	(SGNA021PC) 21" Gate (Range Min 19.5" - Max 23")	21"
22YL-SCGATE/24	(SGNA024PC) 24" Gate (Range Min 22.5" - Max 26")	24"
22YL-SCGATE/27	(SGNA027PC) 27" Gate (Range Min 25.5" - Max 29")	27"
22YL-SCGATE/30	(SGNA030PC) 30" Gate (Range Min 28.5" - Max 32")	30"
22YL-SCGATE/33	(SGNA033PC) 33" Gate (Range Min 31.5" - Max 35")	33"
22YL-SCGATE/36	(SGNA036PC) 36" Gate (Range Min 34.5" - Max 38")	36"
22YL-SCGATE/40	(SGNA040PC) 40" Gate (Range Min 38.5" - Max 42")	40"
22YL-SCGATE/48	(SGNA048PC) 48" Gate (Range Min 46.5" - Max 48")	48"

KK100 PLASTIC SET SCREW CAP



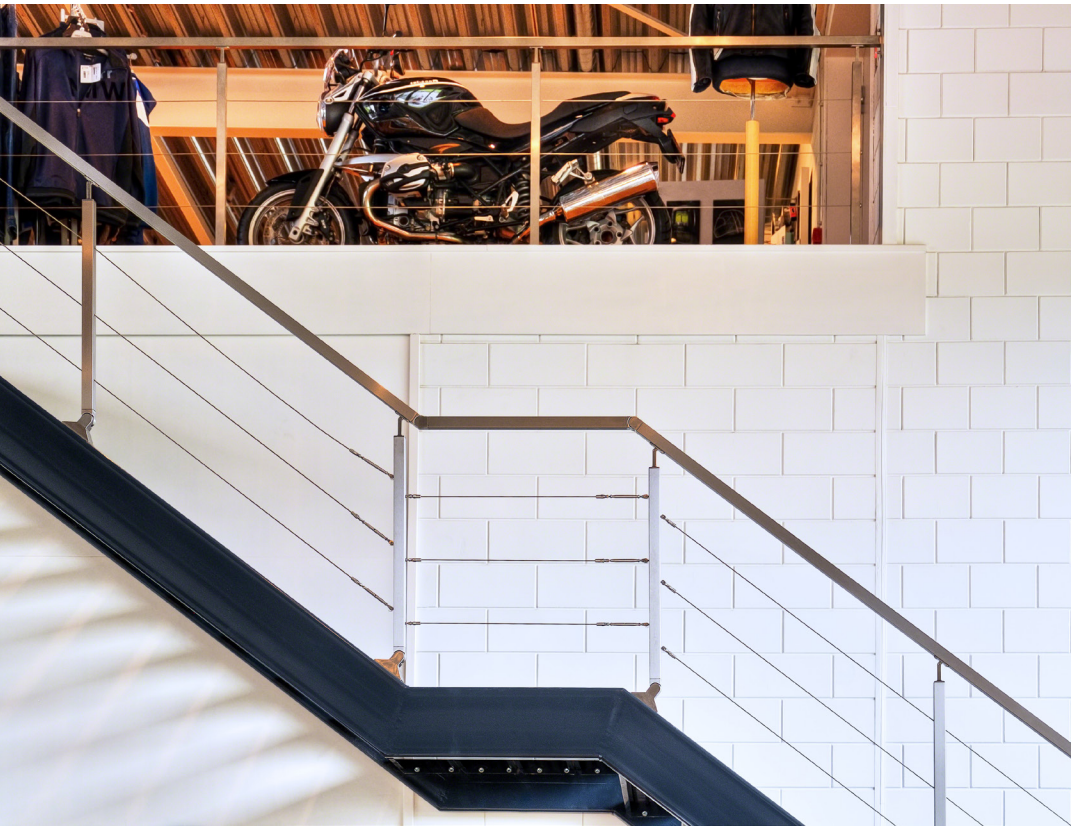
Item #	Description	Pipe Size	D	E
PLASTIC				
KK100-6	(100-6) Fits Pipe Sizes 5 and 6 (3/4" IPS and 1" IPS)	1" x 3/4"	0.24"	0.63"
KK100-7	(100-7) Fits Pipe Sizes 7, 8 and 9 (1-1/4" IPS, 1-1/2" IPS, and 2" IPS)	2" x 1-1/2" x 1-1/4"	0.24"	0.63"

KK97 SET SCREWS



Item #	Description	Length	Pipe Size
GALVANIZED STEEL			
KK97-4	For 1/2" IPS Fittings	1/2"	1/2"
KK97-6	For 3/4" IPS and 1" IPS Fittings	1/2"	1"
KK97-7	For Size 1-1/4", 1-1/2", and 2" IPS Fittings	1/2"	2"
KK97-7L1	For Size 1-1/4", 1-1/2", and 2" IPS Fittings	1"	2"
SATIN STAINLESS STEEL 304			
KK97-7S	For Size 1-1/4", 1-1/2", and 2" IPS Fittings	1/2"	2"
KK97-6S	For 3/4" IPS and 1" IPS Fittings	1/2"	1"

COMPONENTS





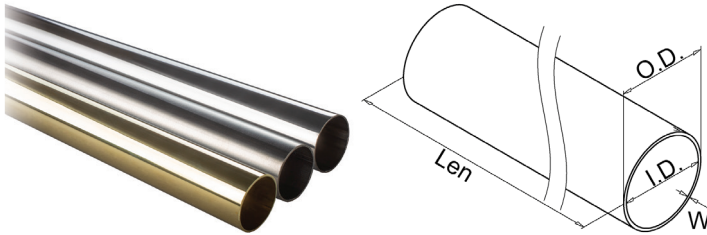
BuyRailings
ARCHITECTURAL &
INDUSTRIAL RAILINGS

TUBING

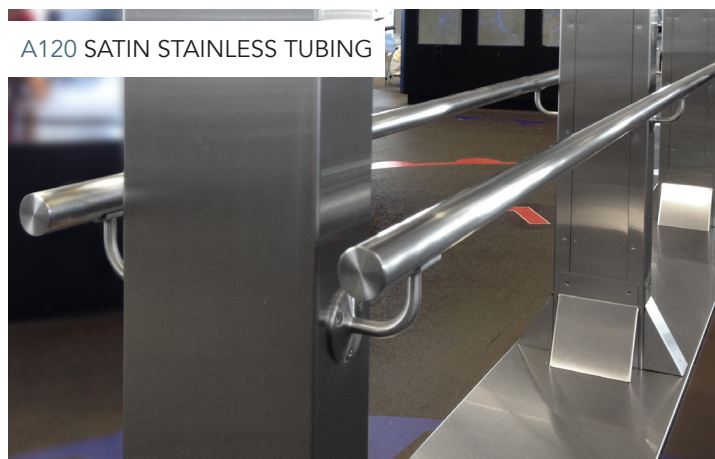
Our architectural quality tube comes in polished brass, polished stainless steel, and satin stainless steel and in a variety of lengths. This selection of high quality, durable tube allows for innumerable applications including handrail, bar footrail and curtain rail. Build all kinds of assemblies using our matching ball fittings, flush fittings, flanges, brackets and end caps.

A100 1" OD X 0.05" TUBING

Round tube that fits with our selection of flush and ball fittings.

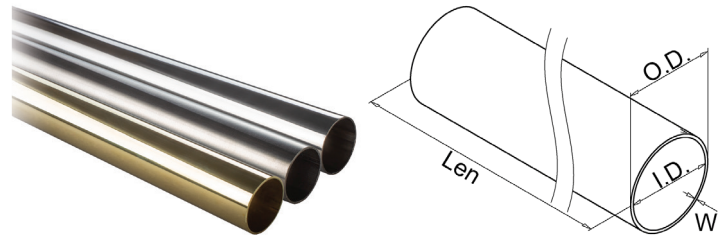


Item #	Description	Tubing Size	O.D.	I.D.	W	LEN
POLISHED BRASS						
00-A100	1" OD Tubing	1" OD	1"	0.9"	0.05"	12 FT
POLISHED STAINLESS STEEL 304						
40-A100	1" OD Tubing	1" OD	1"	0.9"	0.05"	20 FT
SATIN STAINLESS STEEL 304						
44-A100	1" OD Tubing	1" OD	1"	0.9"	0.05"	20 FT



A110 1-1/2" OD X 0.05" TUBING

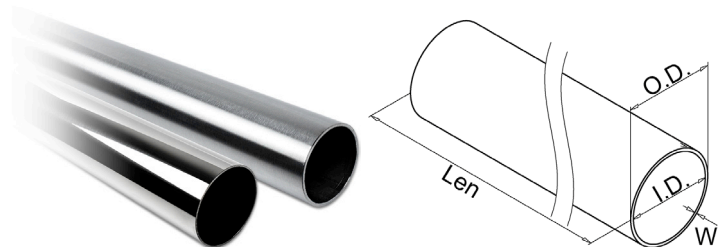
Round tube that fits with our selection of flush and ball fittings.



Item #	Description	Tubing Size	O.D.	I.D.	W	LEN
POLISHED BRASS						
00-A110	1-1/2" OD Tubing	1-1/2" OD	1-1/2"	1.4"	0.05"	16 FT
POLISHED STAINLESS STEEL 304						
40-A110	1-1/2" OD Tubing	1-1/2" OD	1-1/2"	1.4"	0.05"	20 FT
SATIN STAINLESS STEEL 304						
44-A110	1-1/2" OD Tubing	1-1/2" OD	1-1/2"	1.4"	0.05"	20 FT

A111 1-1/2" OD X 0.06" TUBING

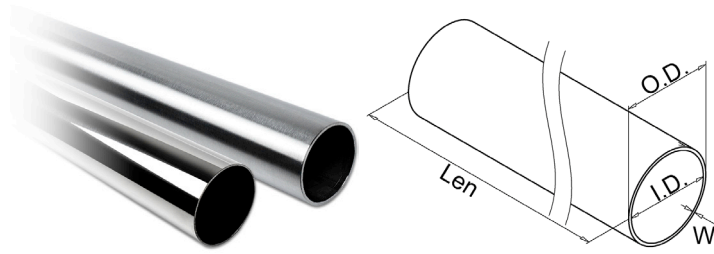
Round tube that fits with our selection of flush fittings.



Item #	Description	Tubing Size	O.D.	I.D.	W	LEN
POLISHED STAINLESS STEEL 316						
47-A111	1-1/2" OD Tubing	1-1/2" OD	1-1/2"	1.38"	0.06"	20 FT
SATIN STAINLESS STEEL 316						
49-A111	1-1/2" OD Tubing	1-1/2" OD	1-1/2"	1.38"	0.06"	20 FT

A114 1.67" OD X 0.08" TUBING

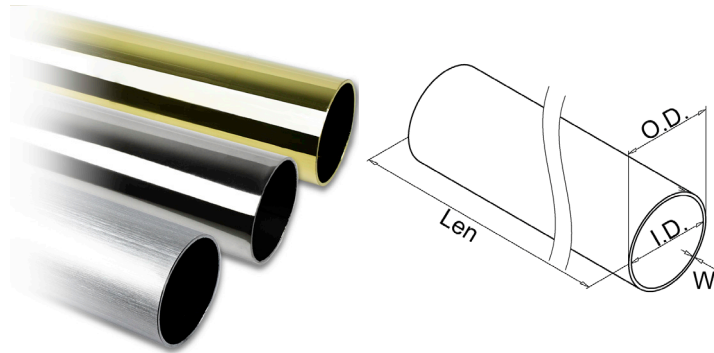
Round tube that fits with our selection of flush fittings. Commonly used to make prefabricated railing posts.



Item #	Description	Tubing Size	O.D.	I.D.	W	LEN
POLISHED STAINLESS STEEL 316						
47-A114	1.67" OD Tubing (42.4mm)	1.67" OD	1.67"	1.51"	0.08"	20 FT
SATIN STAINLESS STEEL 316						
49-A114	1.67" OD Tubing (42.4mm)	1.67" OD	1.67"	1.51"	0.08"	20 FT

A120 2" OD X 0.05" TUBING

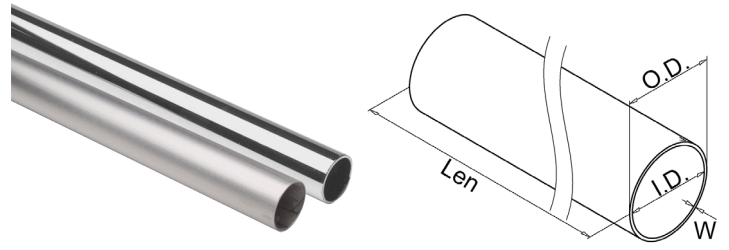
Round tube that fits with our selection of flush and ball fittings.



Item #	Description	Tubing Size	O.D.	I.D.	W	LEN
POLISHED BRASS						
00-A120	2" OD Tubing	2" OD	2"	1.9"	0.05"	16 FT
POLISHED STAINLESS STEEL 304						
40-A120	2" OD Tubing	2" OD	2"	1.9"	0.05"	20 FT
SATIN STAINLESS STEEL 304						
44-A120	2" OD Tubing	2" OD	2"	1.9"	0.05"	20 FT

A121 2" OD X 0.06" TUBING

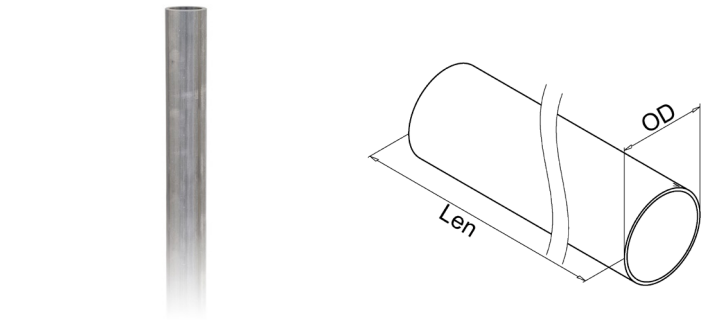
Round tube that fits with our selection of fittings in 316 SST.



Item #	Description	Tubing Size	O.D.	I.D.	W	LEN
POLISHED STAINLESS STEEL 316						
47-A121	2" OD Tubing	2" OD	2"	1.88"	0.06"	20 FT
SATIN STAINLESS STEEL 316						
49-A121	2" OD Tubing	2" OD	2"	1.88"	0.06"	20 FT

20-A1 INSERT FOR ROUND TUBING

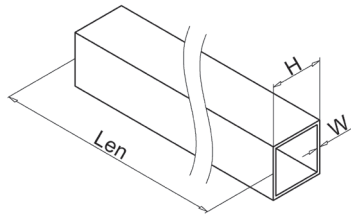
Steel reinforcement tube that fits inside A100, A110 and A120 size architectural tubing.



Item #	Description	Tubing Size	O.D.	Len
STEEL				
20-A100SL	Insert into A100 tubing	7/8" OD	7/8"	12 FT
20-A110SL	Insert into A110 tubing	1-3/8" OD	1-3/8"	12 FT
20-A120SL	Insert into A120 tubing	1-7/8" OD	1-7/8"	12 FT

C12122 1-1/2" SQUARE X 0.06"

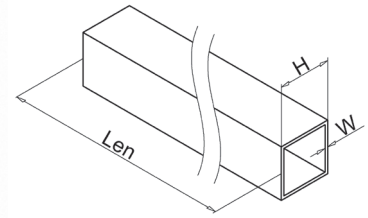
Square tube that fits with our selection of matching fittings.



Item #	Description	Tubing Size	H	W	Len
SATIN STAINLESS STEEL 316					
49-C12122	1-1/2" Square x 0.06" Tubing - 316 Grade Satin (Brushed) Stainless Steel	1-1/2" x 1-1/2"	1-1/2"	0.06"	20 FT

SL4900 1.57" X 0.08" SQUARE TUBE

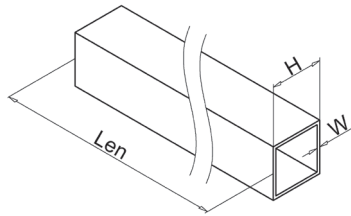
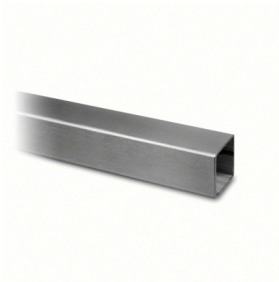
Square tube that fits with our selection of matching fittings.



Item #	Description	Tubing Size	H	W	Len
SATIN STAINLESS STEEL 316					
49-4900/4040	1.57" Square Tubing (40mm)	1.57" x 1.57"	1.57"	0.08"	16 FT

C12124 1-1/2" SQUARE X 0.12"

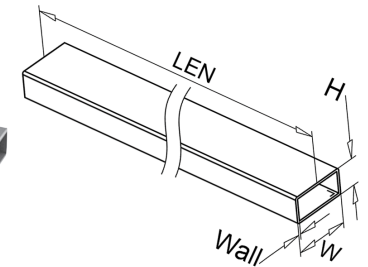
Square tube that fits with our selection of matching fittings.



Item #	Description	Tubing Size	H	W	Len
SATIN STAINLESS STEEL 316					
49-C12124	1-1/2" Square Tubing	1-1/2" x 1-1/2"	1-1/2"	0.12"	20 FT

RL4900 2.36" RECTANGULAR TUBE

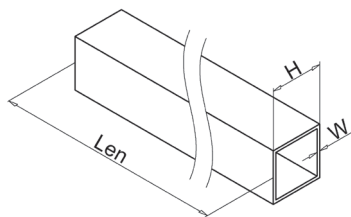
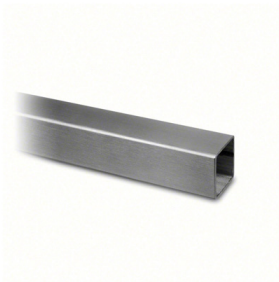
Rectangular tube that fits with our selection of matching fittings.



Item #	Description	Tubing Size	Wall	Len	W	H
SATIN STAINLESS STEEL 316						
49-RL4920/6020	60 x 20 x 2.0mm	2.36" x 0.78"	0.08"	16 FT	2.36"	0.78"
49-RL4926/6030	60 x 30 x 2.6mm	2.36" x 1.18"	0.10"	16 FT	2.36"	1.18"

C16164 2" SQUARE X 0.12"

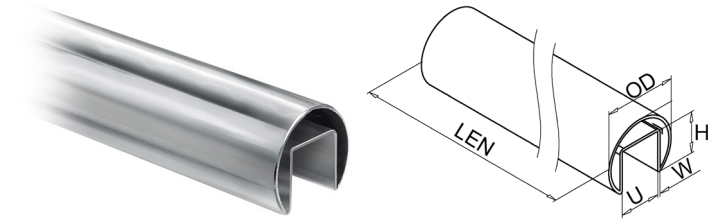
Square tube that fits with our selection of matching fittings.



Item #	Description	H	W	Len
SATIN STAINLESS STEEL 316				
49-C16164	2" Square Tubing	2"	0.12"	20 FT

A114U 1.67" OD X 0.06" CHANNEL

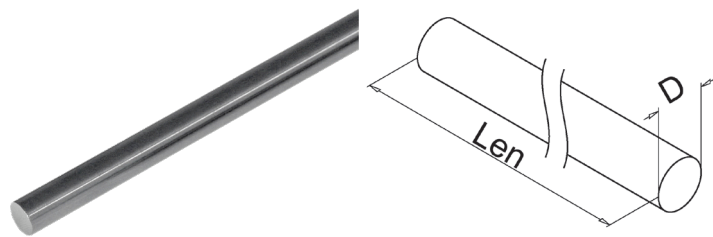
Channel tube that fits with our selection of flush fittings. Use with insert for channel tubing item CTI.



Item #	Description	Tubing Size	O.D.	Wall	Len	H	U
SATIN STAINLESS STEEL 304							
44-A114U	1.67" OD Channel Tubing (42.4mm)	1.67" OD	1.67"	.06"	16 FT	.94"	.94"
POLISHED STAINLESS STEEL 316							
47-A114U	1.67" OD Channel Tubing (42.4mm)	1.67" OD	1.67"	.06"	16 FT	.94"	.94"
SATIN STAINLESS STEEL 316							
49-A114U	1.67" OD Channel Tubing (42.4mm)	1.67" OD	1.67"	.06"	16 FT	.94"	.94"

R038 0.47" OD SOLID ROD

Solid rod that fits with our selection of fittings including RH101 Standoff Crossbar Holder.



Item #	Description	Tubing Size	D	Len
SATIN STAINLESS STEEL 316				
49-R038	0.47" OD (12mm) Solid Rod	0.47" OD	0.47"	16 FT

A-ROD SOLID ACRYLIC ROD

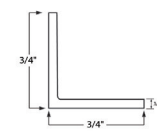
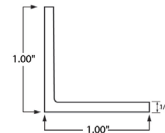
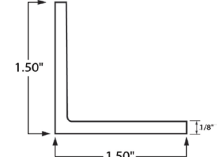
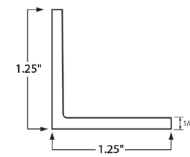
Ideal for curtain rods and decorative handles. Use with 340, 342, 330 and 332 style brackets.



Item #	Description	Tubing Size	Len
ACRYLIC CLEAR			
80-R100	1" Solid Acrylic Rod - Clear - Cast	1" OD	8 FT
80-R110	1-1/2" Solid Acrylic Rod - Clear - Cast	1-1/2" OD	8 FT
80-R120	2" Solid Acrylic Rod - Clear - Cast	2" OD	8 FT

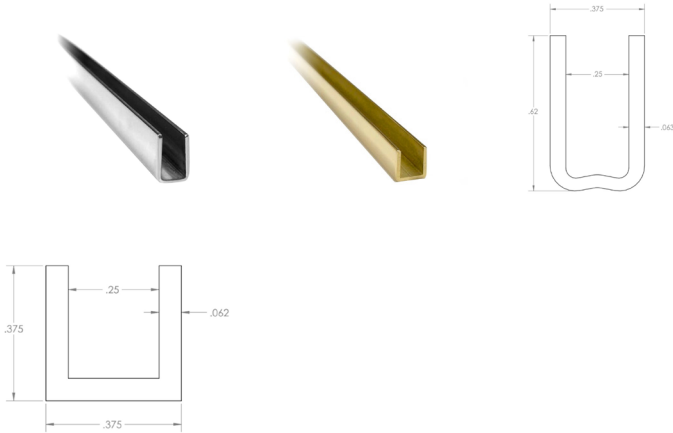
ANGLE - EQUAL LEG

Brass and aluminum angles that can be used as wall accent corners or similar.



Item #	Description	Shape	Size
MILL FINISH BRASS			
01-L-034034x18	90 Degree Angle	Equal Angle	3/4 x 3/4 x 1/8
01-L-100100x18	90 Degree Angle	Equal Angle	1 x 1 x 1/8
01-L-114114x18	90 Degree Angle	Equal Angle	1-1/4 x 1-1/4 x 1/8
01-L-112112x18	90 Degree Angle	Equal Angle	1-1/2 x 1-1/2 x 1/8
01-L-012012x18	90 Degree Angle	Equal Angle	1/2 x 1/2 x 1/8
ALUMINUM MILL FINISH			
51-L-114114x18	90 Degree Angle	Equal Angle	1-1/4 x 1-1/4 x 1/8
51-L-112112x18	90 Degree Angle	Equal Angle	1-1/2 x 1-1/2 x 1/8
51-L-100100x18	90 Degree Angle	Equal Angle	1 x 1 x 1/8
51-L-034034x18	90 Degree Angle	Equal Angle	3/4 x 3/4 x 1/8

U030X U-CHANNEL FOR 1/4" PANELS



Item #	Description	Glass Thickness
POLISHED BRASS		
00-U03032	U-Channel for 1/4" Panels in Polished Brass	1/4"
POLISHED STAINLESS STEEL 304		
40-U03052C	U-Channel with Curved Back for 1/4" Panels in Polished Stainless Steel	1/4"
SATIN STAINLESS STEEL 304		
44-U03052C	U-Channel with Curved Back for 1/4" Panels in Polished Stainless Steel	1/4"

830 INTERNAL SPLICE FOR TUBING

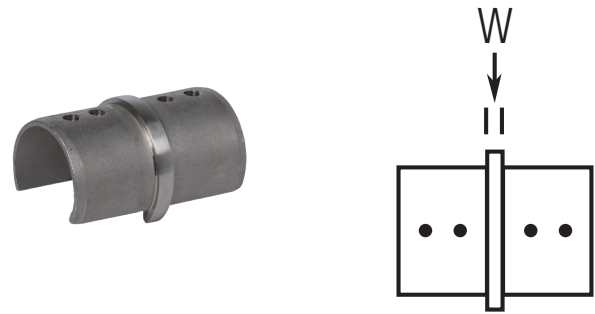
Use to connect the ends of two separate round tubes.



Item #	Description	Tubing Size	Wall	W
POLISHED BRASS				
00-830/1	For Tube 1" x 0.05"	1" OD	0.05"	N/A
00-830/1.3125	For Tube 1-5/16" OD x 0.05"	1-5/16" OD	0.05"	N/A
00-830/1H	For Tube 1-1/2" x 0.05"	1-1/2" OD	0.05"	N/A
00-830/2	For Tube 2" x 0.05"	2" OD	0.05"	N/A
POLISHED STAINLESS STEEL 316				
47-830/1H16	For Tube 1-1/2" x 0.06"	1-1/2" OD	0.06"	0.20"
47-830/424	For Tube 1.67" (42.4mm) x 0.08"	1.67" OD	0.08"	0.16"
47-830/216	(47-830/216) For Tube 2" x 0.06"	2" OD	0.06"	0.20"
SATIN STAINLESS STEEL 316				
49-830/1H16	(49-830/1H16) For Tube 1-1/2" x 0.06"	1/1/2" OD	0.06"	0.20"
49-830/424	For Tube 1.67" (42.4mm) x 0.08"	1.67" OD	0.08"	0.16"
49-830/216	For Tube 2" x 0.06"	2" OD	0.06"	0.20"

830U SPLICE FOR CHANNEL TUBE

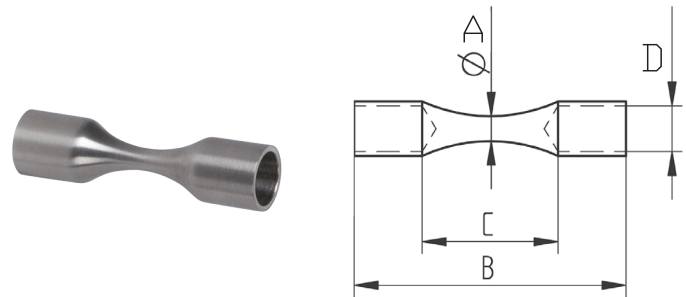
Use to connect the ends of two separate round channel tubes. Use with 47-A114U or 49-A114U.



Item #	Description	Tubing Size	Wall	W
POLISHED STAINLESS STEEL 316				
47-830U/424	For Tube 1.67" (42.4mm) x 0.06"	1.67" OD	0.06"	0.24"
SATIN STAINLESS STEEL 316				
49-830U/424	For Tube 1.67" (42.4mm) x 0.06"	1.67" OD	0.06"	0.24"

RC103 EXTERNAL CROSSBAR SPLICE

Use to connect the ends of two separate round rods item R038.

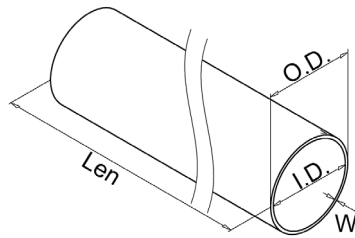


Item #	Description	Tubing Size	A	B	C	D
SATIN STAINLESS STEEL 316						
49-RC103	For 0.47" OD Rod (12mm)	0.47" OD	.21"	2.34"	1.18"	.47"

PIPES (ALUMINUM & STEEL)

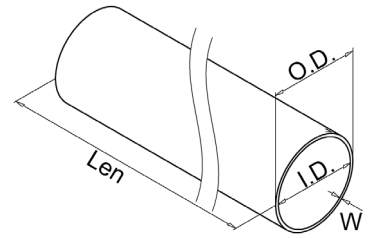
Our commercial quality pipe is available in aluminum and galvanized steel - both in a broad selection of finishes, sizes, and lengths. This selection of high quality, durable pipe allows for innumerable applications including handrail, bar footrail and many other assemblies using our matching sets of slip-on fittings, flanges, brackets and end caps.

A034ID 3/4" IPS ALUMINUM PIPE SCHEDULE 40



Item #	Description	Pipe Size	O.D.	I.D.	W	LEN
ALUMINUM SATIN ANODIZED						
50-A034ID	Alloy 6063-T6	3/4" IPS	1.050"	0.824"	0.113"	16 FT

A100ID 1" IPS ALUMINUM PIPE SCHEDULE 40



Item #	Description	Pipe Size	O.D.	I.D.	W	LEN
ALUMINUM BLACK ANODIZED						
50BK-A100ID	Alloy 6063-T6	1" IPS	1.315"	1.049"	0.133"	16 FT
ALUMINUM SATIN ANODIZED						
50-A100ID	Alloy 6063-T6	1" IPS	1.315"	1.049"	0.133"	16 FT
ALUMINUM MILL FINISH						
51-A100ID	Alloy 6063-T6	1" IPS	1.315"	1.049"	0.133"	16 FT
GALVANIZED STEEL						
22-A100ID	1" IPS Galvanized Steel Pipe Schedule 40 (1.049" ID - 1.315" OD - 0.133" Wall)	1" IPS	--	--	--	--

A114ID 1-1/4" IPS ALUMINUM/STEEL PIPE SCHEDULE 40 AND GATORSHIELD



Item #	Description	Pipe Size	O.D.	I.D.	W	LEN
ALUMINUM BLACK ANODIZED						
50BK-A114ID	Alloy 6063-T6	1-1/4" IPS	1.660"	1.380"	0.140"	16 FT
ALUMINUM YELLOW POWDER COAT						
51YL-A114ID	Alloy 6063-T6	1-1/4" IPS	1.660"	1.380"	0.140"	6 FT
GALVANIZED STEEL WRINKLE BLACK POWDER COAT						
23BK-A114ID	Gatorshield Galvanized Steel	1-1/4" IPS	1.66"	1.391"	0.134"	6 FT
ALUMINUM SATIN ANODIZED						
50-A114ID	Alloy 6063-T6	1-1/4" IPS	1.660"	1.380"	0.140"	16 FT
ALUMINUM BRIGHT DIP ANODIZED						
52-A114ID	Alloy 6063-T6	1-1/4" IPS	1.66"	1.38"	0.14"	16 FT
ALUMINUM MILL FINISH						
51-A114ID	Alloy 6063-T6	1-1/4" IPS	1.660"	1.380"	0.140"	16 FT
ALUMINUM BRUSHED						
54-A114ID	Alloy 6063-T6	1-1/4" IPS	1.66"	1.38"	0.14"	16 FT
GALVANIZED STEEL						
22-A114ID	Galvanized Steel	1-1/4" IPS	1.660"	1.380"	0.140"	21 FT
GATORSHIELD GALVANIZED STEEL						
23-A114ID	Gatorshield Galvanized Steel	1-1/4" IPS	1.660"	1.577"	0.083"	21 FT

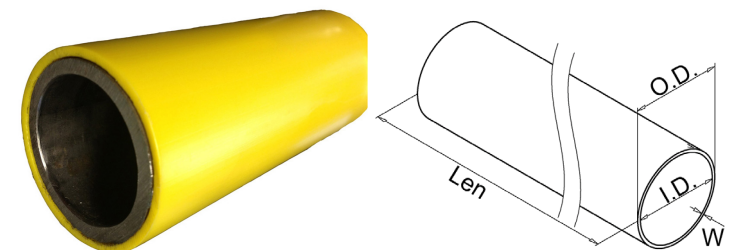
A112ID 1-1/2" IPS ALUMINUM/STEEL PIPE SCHEDULE 40 AND GATORSHIELD® MECHANICAL TUBE



Item #	Description	Pipe Size	O.D.	I.D.	W	LEN
ALUMINUM BLACK ANODIZED						
50BK-A112ID	Alloy 6063-T6	1-1/2" IPS	1.900"	1.610"	0.145"	16 FT
ALUMINUM YELLOW POWDER COAT						
51YL-A112ID	Alloy 6063-T6	1-1/2" IPS	1.900"	1.610"	0.145"	6 FT
ALUMINUM 6061 SATIN ANODIZED						
50-A112ID-61	Alloy 6061-T6	1-1/2" IPS	1.9"	1.61"	0.145"	16 FT
ALUMINUM 6061 MILL FINISH						
51-A112ID-61	Alloy 6061-T6	1-1/2" IPS	1.9"	1.61"	0.145"	16 FT
ALUMINUM SATIN ANODIZED						
50-A112ID	Alloy 6063-T6	1-1/2" IPS	1.900"	1.610"	0.145"	16 FT
ALUMINUM BRIGHT DIP ANODIZED						
52-A112ID	Alloy 6063-T6	1-1/2" IPS	1.900"	1.610"	0.145"	16 FT
ALUMINUM MILL FINISH						
51-A112ID	Alloy 6063-T6	1-1/2" IPS	1.900"	1.610"	0.145"	16 FT
GALVANIZED STEEL						
22-A112ID	Galvanized Steel	1-1/2" IPS	1.610"	1.900"	0.145"	21 FT
GATORSHIELD GALVANIZED STEEL						
23-A112ID	Gatorshield Galvanized Steel	1-1/2" IPS	1.900"	1.610"	0.095"	21 FT

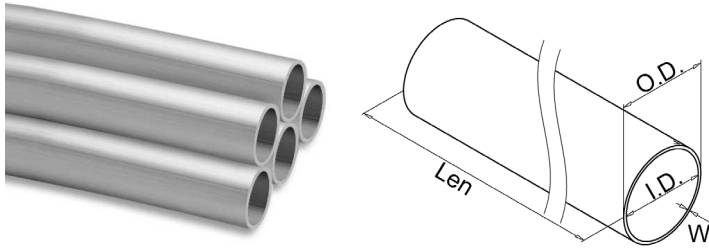
A112PID STEEL/PLASTIC PIPE

1-1/4" IPS Schedule 40 Sleeved in Durable Yellow HDPE Plastic for Final Size 1-1/2" IPS or 1.9" OD.



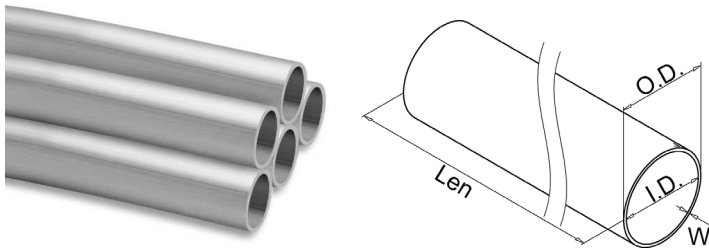
Item #	Description	Pipe Size	Color	O.D.	I.D.	W	LEN
STEEL							
20-A112PID-YL	Steel Pipe with Plastic Cover	1-1/2" IPS	Yellow	1.900"	1.380"	0.140"	21 FT

A200ID 2" IPS SCHEDULE 40 PIPE IN STEEL, GALVANIZED STEEL, ALUMINUM



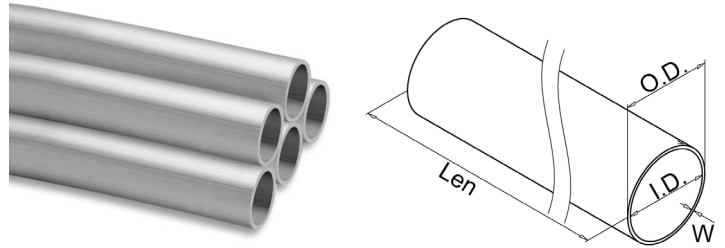
Item #	Description	Pipe Size	O.D.	I.D.	W	LEN
ALUMINUM SATIN ANODIZED						
50-A200ID	Alloy 6063-T6	2" IPS	2.375"	2.067"	0.154"	16 FT
ALUMINUM MILL FINISH						
51-A200ID	Alloy 6063-T6	2" IPS	2.375"	2.067"	0.154"	16 FT
GALVANIZED STEEL						
22-A200ID	Galvanized Steel	2" IPS	2.375"	2.067"	0.154"	21 FT

A114ID-80 1-1/4" IPS ALUMINUM PIPE SCHEDULE 80



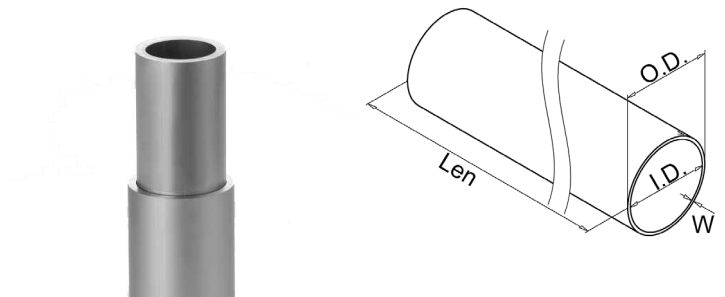
Item #	Description	Pipe Size	O.D.	I.D.	W	LEN
ALUMINUM SATIN ANODIZED						
50-A114ID-80	Alloy 6063-T6	1-1/4" IPS	1.660"	1.278"	0.191"	16 FT
ALUMINUM BRIGHT DIP ANODIZED						
52-A114ID-80	Alloy 6063-T6	1-1/4" IPS	1.660"	1.278"	0.191"	16 F
ALUMINUM MILL FINISH						
51-A114ID-80	Alloy 6063-T6	1-1/4" IPS	1.660"	1.278"	0.191"	16 FT

A112ID-80 1-1/2" IPS ALUMINUM PIPE SCHEDULE 80



Item #	Description	Pipe Size	Pipe Schedule	O.D.	I.D.	W	LEN
ALUMINUM YELLOW POWDER COAT							
51YL-A112ID-80	Alloy 6063-T6	1-1/2" IPS	Schedule 80	1.9"	1.5"	0.2"	6 FT
ALUMINUM SATIN ANODIZED							
50-A112ID-80	Alloy 6063-T6	1-1/2" IPS	Schedule 80	1.9"	1.5"	0.2"	16 FT
ALUMINUM BRIGHT DIP ANODIZED							
52-A112ID-80	Alloy 6063-T6	1-1/2" IPS	Schedule 80	1.9"	1.5"	0.2"	16 FT
ALUMINUM MILL FINISH							
51-A112ID-80	Alloy 6063-T6	1-1/2" IPS	Schedule 80	1.9"	1.5"	0.2"	16 FT

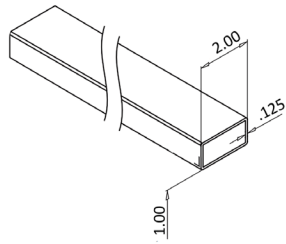
A112IDINS INSERT TUBE DOWEL FOR 1-1/2" PIPE



Item #	Description	O.D.	I.D.	W	LEN
ALUMINUM MILL FINISH					
51-A112IDINS	Insert tube dowel for 1-1/2" IPS Sch 40	1.6"	1.41"	0.19"	12 FT

RL5025 RECTANGULAR TUBE

2" x 1" Rectangular tube in 6061-T6 aluminum. Use with CS508 aluminum cable rail posts.



Item #

Description

ALUMINUM BRUSHED

54-RL5025

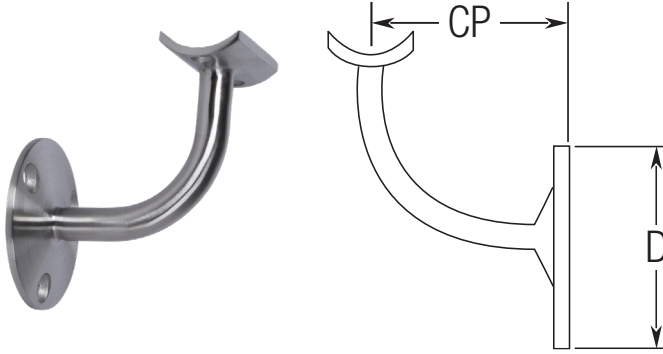
2"W X 1"H X 1/8" - 6061 T - ORBITAL BRUSH

BRACKETS

Elegant, traditional and contemporary designed brackets perfectly complement our architectural tube. Wall, post, and glass mount brackets with flexible, self-aligning options are available in polished brass, polished stainless steel, and brushed stainless steel. Build complete railings and assemblies using our matching flush fittings, finials/end caps, and connectors.

301 STANDARD HANDRAIL BRACKET

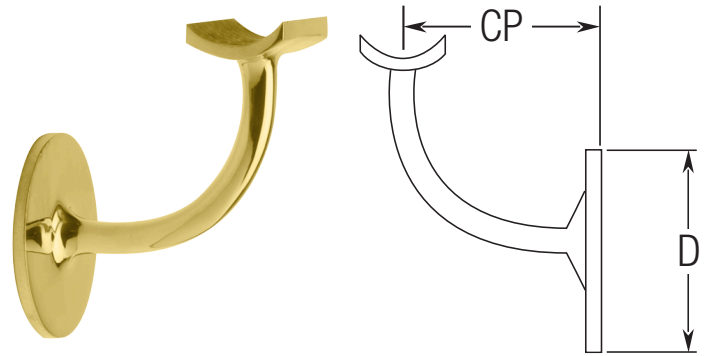
Includes wall and handrail mounting screws.



Item #	Description	Tubing Size	CP	D
POLISHED BRASS				
00-301/1H	Wall Bracket for 1-1/2" OD Tubing	1-1/2" OD	2-1/2"	2-1/2"
00-301/2	Wall Bracket for 2" OD Tubing	2" OD	2-3/4"	2-1/2"
POLISHED STAINLESS STEEL 304				
40-301/1H	Wall Bracket for 1-1/2" OD Tubing	1-1/2" OD	2-1/2"	2-1/2"
40-301/2	Wall Bracket for 2" OD Tubing	2" OD	2-3/4"	2-1/2"
SATIN STAINLESS STEEL 304				
44-301/1H	Wall Bracket for 1-1/2" OD Tubing	1-1/2" OD	2-1/2"	2-1/2"
44-301/2	Wall Bracket for 2" OD Tubing	2" OD	2-3/4"	2-1/2"
POLISHED STAINLESS STEEL 316				
47-301/1H	Wall Bracket for 1-1/2" OD Tubing	1-1/2" OD	2-1/2"	2-1/2"
47-301/424	Wall Bracket for 1.67" (42.4mm) Tubing	1.67" OD	2-9/16"	2-9/16"
47-301/2	Wall Bracket for 2" OD Tubing	2" OD	2-3/4"	2-1/2"
SATIN STAINLESS STEEL 316				
49-301/1H	Wall Bracket for 1-1/2" OD Tubing	1-1/2" OD	2-1/2"	2-1/2"
49-301/424	Wall Bracket for 1.67" (42.4mm) Tubing	1.67" OD	2-9/16"	2-9/16"
49-301/2	Wall Bracket for 2" OD Tubing	2" OD	2-3/4"	2-1/2"

301U UNDRILLED BRACKET

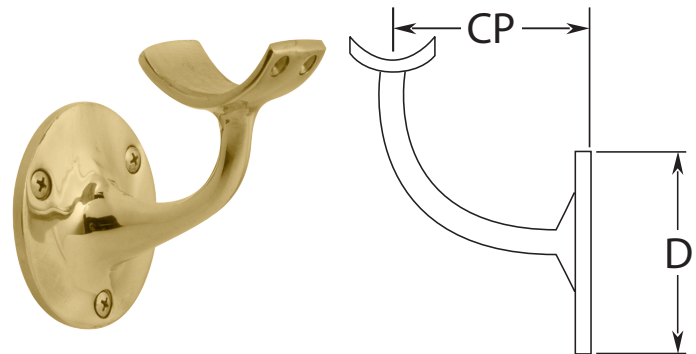
Includes hanger bolt and handrail mounting screws.



Item #	Description	Tubing Size	CP	D
POLISHED BRASS				
00-301u/1H	Wall Bracket for 1-1/2" OD Tubing	1-1/2" OD	2-1/2"	2-1/2"

302 DELUXE HANDRAIL BRACKET

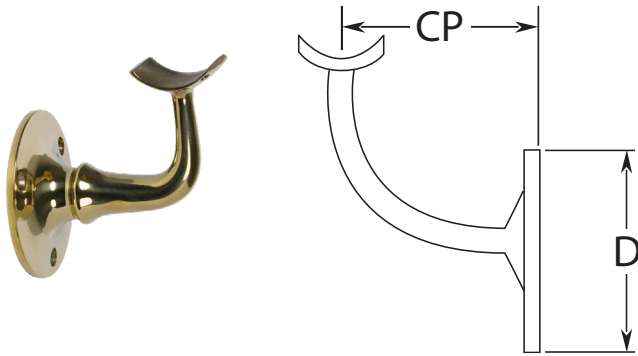
Includes wall and handrail mounting screws.



Item #	Description	Tubing Size	CP	D
POLISHED BRASS				
00-302/2	Wall Bracket for 2" OD Tubing	2" OD	2-3/4"	3-1/8"

014 HEAVY DUTY HANDRAIL BRKT

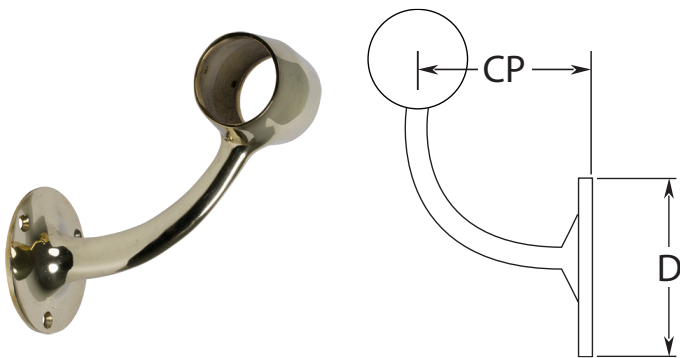
Includes wall and handrail mounting screws.



Item #	Description	Tubing Size	CP	D
POLISHED BRASS				
00-014/1H	Wall Bracket for 1-1/2" OD Tubing	1-1/2" OD	3-7/16"	3-3/8"
00-014/2	Wall Bracket for 2" OD Tubing	2" OD	3-1/4"	3-5/8"

520 STREAMLINED HANDRAIL BRKT

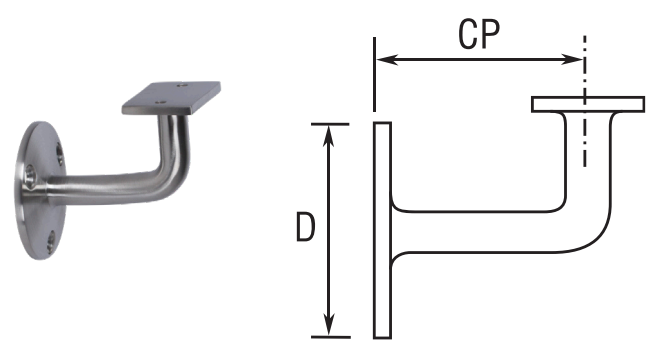
Includes wall mounting screws.



Item #	Description	Tubing Size	CP	D
POLISHED BRASS				
00-520/2	Wall Bracket for 2" OD Tubing	2" OD	6"	2-1/2"

310 FLAT HANDRAIL BRACKET

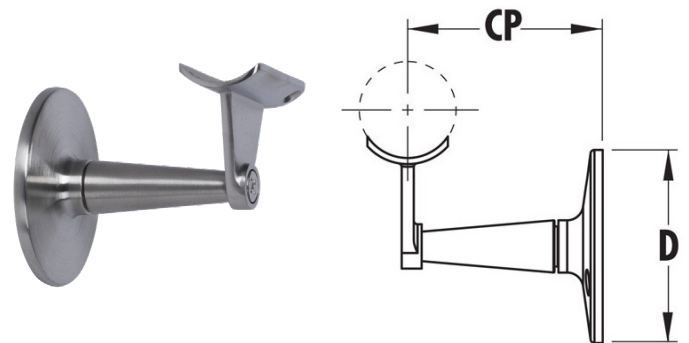
Includes wall and handrail mounting screws.



Item #	Description	CP	D
POLISHED BRASS			
00-310	For Rectangular Handrail	2-1/2"	2-3/8"
POLISHED STAINLESS STEEL 304			
40-310	For Rectangular Handrail	2-1/2"	2-3/8"
SATIN STAINLESS STEEL 304			
44-310	For Rectangular Handrail	2-1/2"	2-3/8"

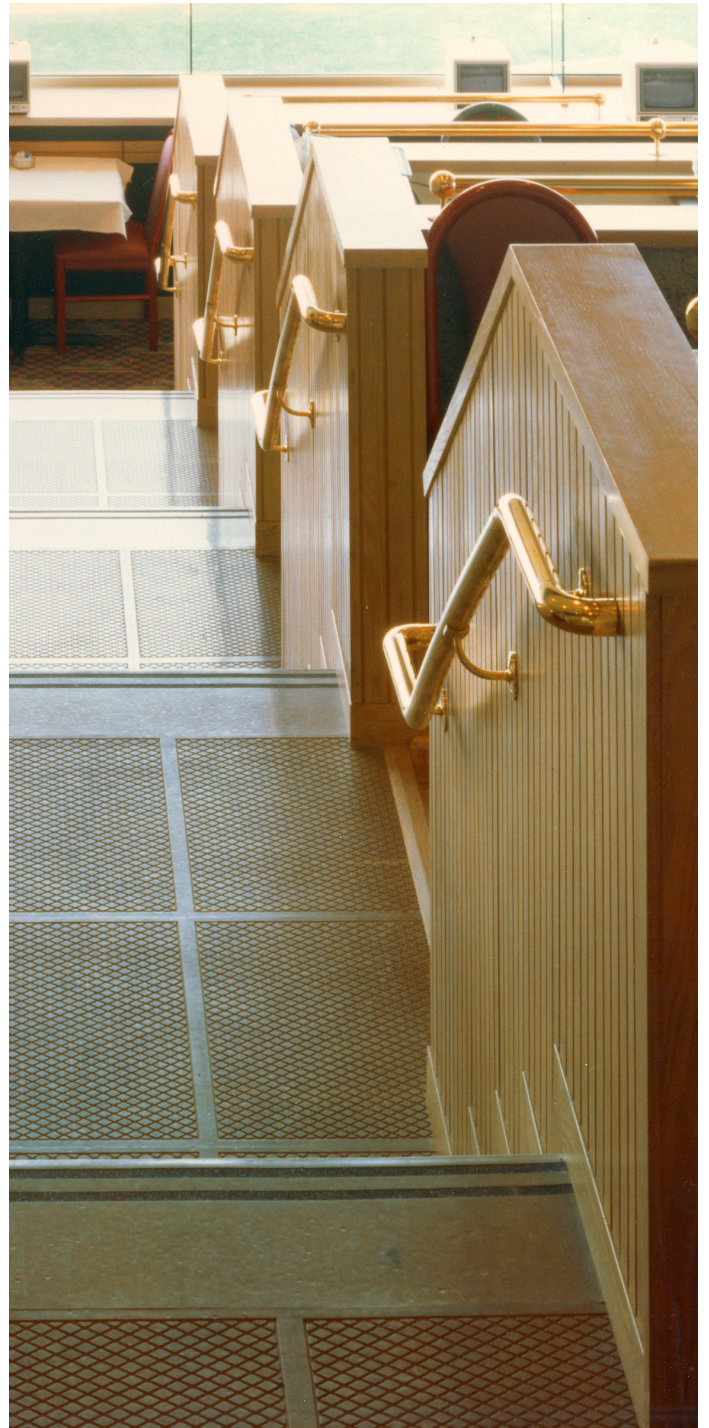
308 MODULAR HANDRAIL BRACKET

Mounting hardware sold separately.



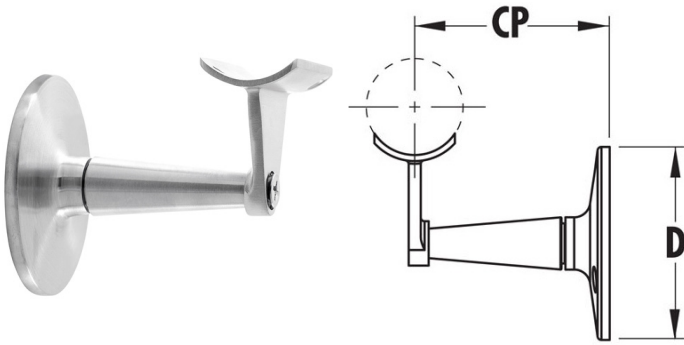
Item #	Description	Tubing Size	CP	D
SATIN STAINLESS STEEL 316				
49-308/1H	Wall Bracket for 1-1/2" OD Tubing	1-1/2" OD	3-1/16"	3"
49-308/2	Wall Bracket for 2" OD Tubing	2" OD	3-1/16"	3"

301 BRACKET



308U MODULAR UNDRILLED BRACKET

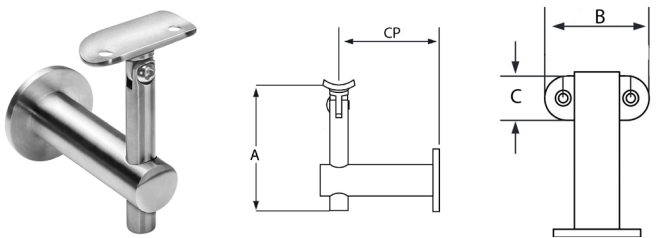
Hanger bolt #44-5/16-18-3HB sold separately. Qty 1 per bracket.



Item #	Description	Tubing Size	CP	D
SATIN STAINLESS STEEL 316				
49-308U/1H	Wall Bracket for 1-1/2" OD Tubing	1-1/2" OD	3-1/16"	3"
49-308U/2	Wall Bracket for 2" OD Tubing	2" OD	3-1/16"	3"

309 ADJUSTABLE HANDRAIL BRKT

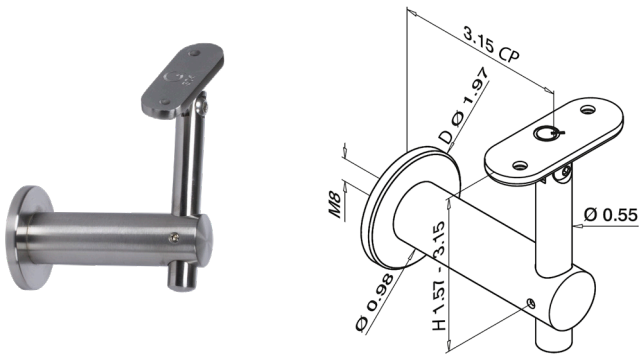
Mounting hardware sold separately.



Item #	Description	Tubing Size	CP	A	B	C
SATIN STAINLESS STEEL 316						
49-309/1H	Wall Bracket for 1-1/2" OD Tubing	1-1/2" OD	3.15"	1.18" - 3.15"	2.56"	.98"

SL0145 WALL BRACKET FOR SQUARE

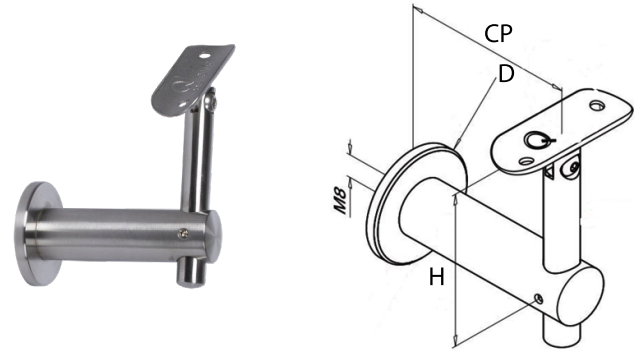
Mounting bolt QS-86 and screws QS-111 sold separately.



Item #	Description	CP	D	H
SATIN STAINLESS STEEL 304				
44-0145F	Adjustable for Rectangular Handrail	3.15"	1.97"	1.57"-3.15"

0145 WALL MOUNT HANDRAIL BRKT

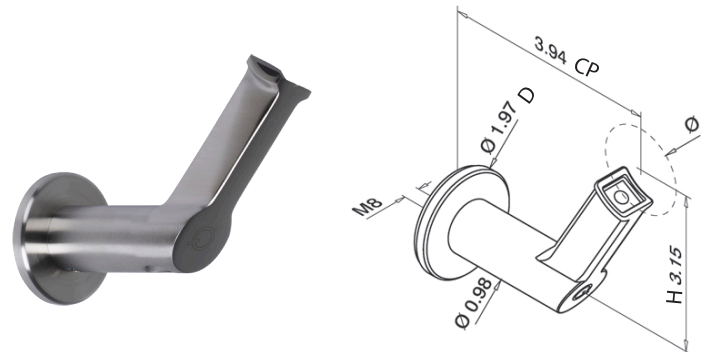
Mounting bolt QS-86 and screws QS-111 sold separately.



Item #	Description	Tubing Size	CP	D	H
SATIN STAINLESS STEEL 304					
44-0145/1H	Adjustable for 1-1/2" Tube	1-1/2" OD	3.15"	1.97"	1.57"-3.15"

9320 WALL HANDRAIL BRACKET

Mounting bolt QS-86 and screws QS-111 sold separately.



Item #	Description	Tubing Size	CP	D	H
SATIN STAINLESS STEEL 304					
44-9320/1H	For 1-1/2" OD Round Handrail	1-1/2" OD	3.94"	1.97"	3.15"

SL4145 WALL MNT BRKT - SQUARE

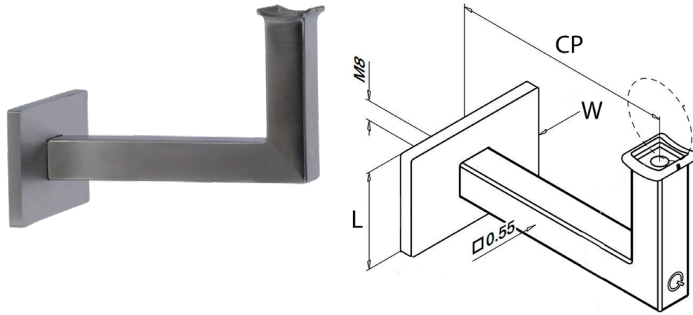
Mounting bolt QS-2 and screws QS-113 sold separately.



Item #	Description	Tubing Size	CP	W	H
SATIN STAINLESS STEEL 304					
44-4145F	For Rectangular Handrail	1-9/16" Sq	3.62"	2.36"	1.57"-3.15"
44-4145/1H	For 1-1/2" Round Handrail	1-1/2" OD	3.62"	2.36"	1.57"-3.15"

4101 WALL HANDRAIL BRACKET

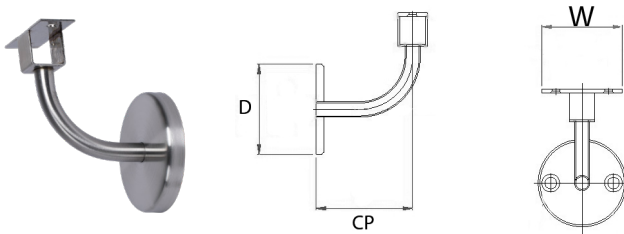
Mounting bolt QS-2 and screw QS-171 sold separately.



Item #	Description	Tubing Size	CP	W	L
SATIN STAINLESS STEEL 316					
49-4101/1H	For 1-1/2" OD Round Handrail	1-1/2" OD	3.62"	1.57"	2.36"

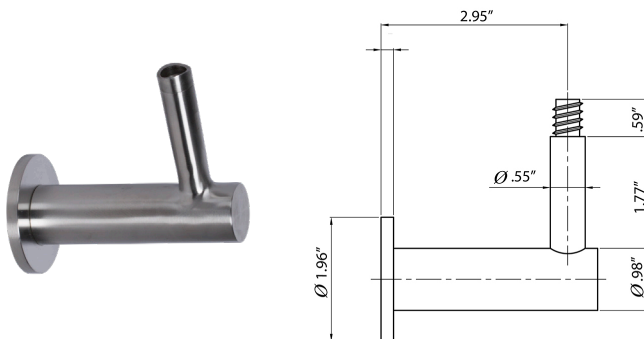
E1530 HANDRAIL BRACKET - LED

Designed for use with Channel Tube item A114U and to allow an LED lighting strip to pass through.



Item #	Description	Tubing Size	CP	D	W
SATIN STAINLESS STEEL 316					
E1530100	For 1.67" (42.4mm) Round Channel Tubing	1.67" OD	3"	2.75"	2.52"

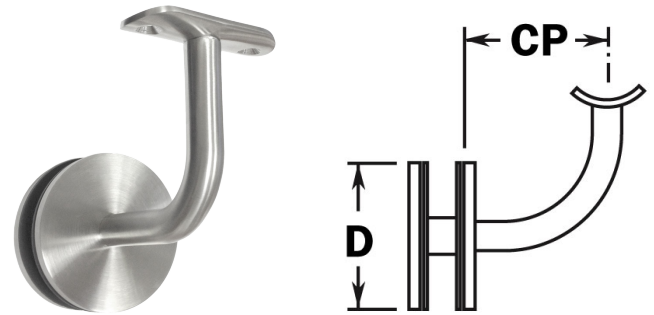
E4586 HANDRAIL BRACKET FOR WOOD



Item #	Description	Tubing Size
SATIN STAINLESS STEEL 304		
49-E4586/45	Wall Mounted Handrail Bracket	1.77" OD (45mm)

304 GLASS MOUNT HANDRAIL BRKT

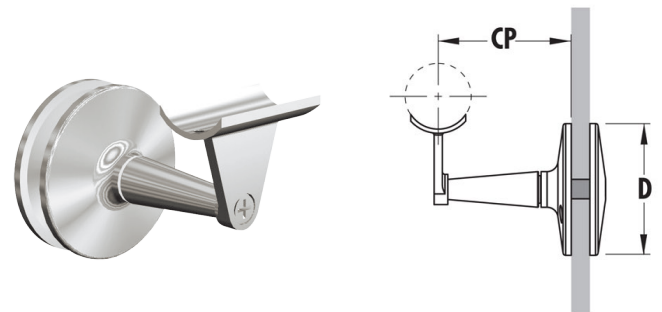
Includes handrail mounting screws.



Item #	Description	Tubing Size	CP	D
POLISHED BRASS				
00-304/1H	Bracket for 1-1/2" OD Tubing	1-1/2" OD	2-5/8"	2-1/2"
00-304/2	Bracket for 2" OD Tubing	2" OD	2-5/8"	2-1/2"
POLISHED STAINLESS STEEL 304				
40-304/1H	Bracket for 1-1/2" OD Tubing	1-1/2" OD	2-5/8"	2-1/2"
40-304/2	Bracket for 2" OD Tubing	2" OD	2-5/8"	2-1/2"
SATIN STAINLESS STEEL 304				
44-304/1H	Bracket for 1-1/2" OD Tubing	1-1/2" OD	2-5/8"	2-1/2"
44-304/2	Bracket for 2" OD Tubing	2" OD	2-5/8"	2-1/2"

308GM MOD GLASS HANDRAIL BRKT

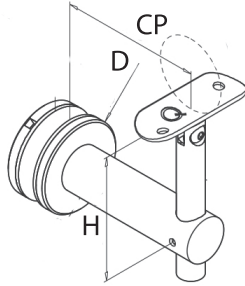
Mounting hardware sold separately.



Item #	Description	Tubing Size	CP	D
SATIN STAINLESS STEEL 316				
49-308GM/1H	Bracket for 1-1/2" OD Tubing	1-1/2" OD	2-7/8"	3"
49-308GM/2	Bracket for 2" OD Tubing	2" OD	2-7/8"	3"

0155 GLASS MOUNT HANDRAIL BRKT

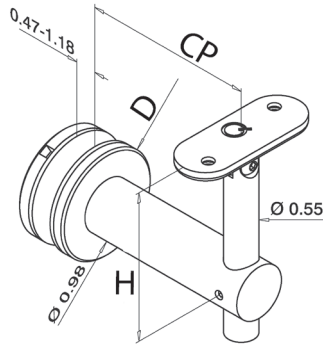
Handrail mounting screws QS-111 sold separately.



Item #	Description	Tubing Size	CP	D	H
SATIN STAINLESS STEEL 304					
44-0155/1H	Adjustable for 1-1/2" Handrail	1-1/2" OD	3.23"	1.97"	1.57"-3.15"
44-0155/2	Adjustable for 2" Handrail	2" OD	3.23"	2"	1.57"-3.15"
SATIN STAINLESS STEEL 316					
49-0155/1H	Adjustable for 1-1/2" Round Handrail	1-1/2" OD	3.23"	2"	1.57"-3.15"
49-0155/2	Adjustable for 2" Handrail	2" OD	3.23"	2"	1.57"-3.15"

SL0155 GLASS BRKT FOR SQUARE

Handrail mounting screws QS-113 sold separately.



Item #	Description	CP	D	H
SATIN STAINLESS STEEL 304				
44-0155	For Rectangular Handrail	3.23"	2"	1.57"-3.15"
SATIN STAINLESS STEEL 316				
49-0155	For Rectangular Handrail	3.23"	2"	1.57"-3.15"

SL4155 GLASS MOUNT BRACKET

Handrail mounting screws QS-113 and QS111 sold separately.

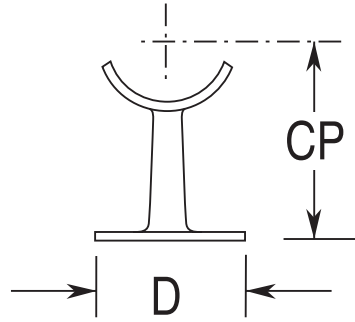


Item #	Description	Tubing Size	CP	W	L	A	H
SATIN STAINLESS STEEL 304							
44-4155F	For Rectangular Handrail	1.57" x 1.57"	3.7"	2.36"	1.57"	.47" - .98"	1.57" - 3.15"
44-4155/1H	For 1-1/2" Round Handrail	1-1/2" OD	3.7"	2.36"	1.57"	.47" - .98"	1.57" - 3.15"



341 SHORT SADDLE POST

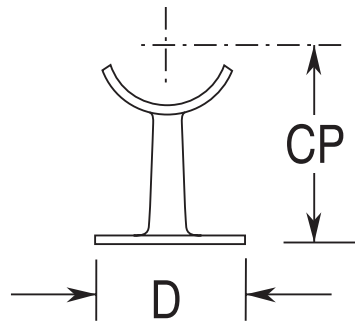
Includes mounting hardware.



Item #	Description	Tubing Size	CP	D
POLISHED BRASS				
00-341/1H	Saddle for 1-1/2" Tubing	1-1/2" OD	2-1/2"	2-1/4"

341U UNDRILLED SHORT SADDLE

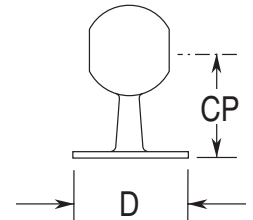
Includes mounting hardware.



Item #	Description	Tubing Size	CP	D
POLISHED BRASS				
00-341u/1H	Saddle for 1-1/2" Tubing	1-1/2" OD	2-1/2"	2-1/4"
00-341u/2	Saddle for 2" Tubing	2" OD	3-1/4"	2-1/2"

332 BALL CENTER POST

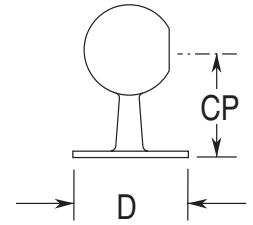
Includes mounting hardware.



Item #	Description	Tubing Size	CP	D
POLISHED BRASS				
00-332/1	Bracket for 1" OD Tubing	1" OD	2-3/4"	2-1/4"
00-332/1H	Bracket for 1-1/2" OD Tubing	1-1/2" OD	2-3/4"	2-15/16"
00-332/2	Bracket for 2" OD Tubing	2" OD	3"	3-3/8"
POLISHED STAINLESS STEEL 304				
40-332/1	Bracket for 1" OD Tubing	1" OD	2-3/4"	2-1/4"
SATIN STAINLESS STEEL 304				
44-332/1	Bracket for 1" OD Tubing	1" OD	2-3/4"	2-1/4"

330 BALL END POST

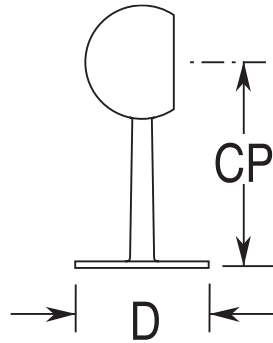
Includes mounting hardware.



Item #	Description	Tubing Size	CP	D
POLISHED BRASS				
00-330/1	Bracket for 1" OD Tubing	1" OD	2-3/4"	2-1/4"
00-330/1H	Bracket for 1-1/2" OD Tubing	1-1/2" OD	2-3/4"	2-15/16"
00-330/2	Bracket for 2" OD Tubing	2" OD	3"	3-3/8"
POLISHED STAINLESS STEEL 304				
40-330/1	Bracket for 1" OD Tubing	1" OD	2-3/4"	2-1/4"
SATIN STAINLESS STEEL 304				
44-330/1	Bracket for 1" OD Tubing	1" OD	2-3/4"	2-1/4"

334 6" TALL BALL END POST

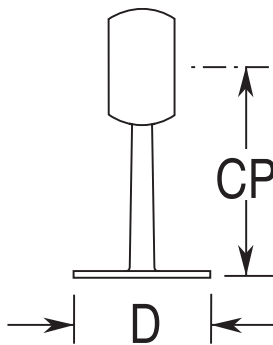
Includes mounting hardware.



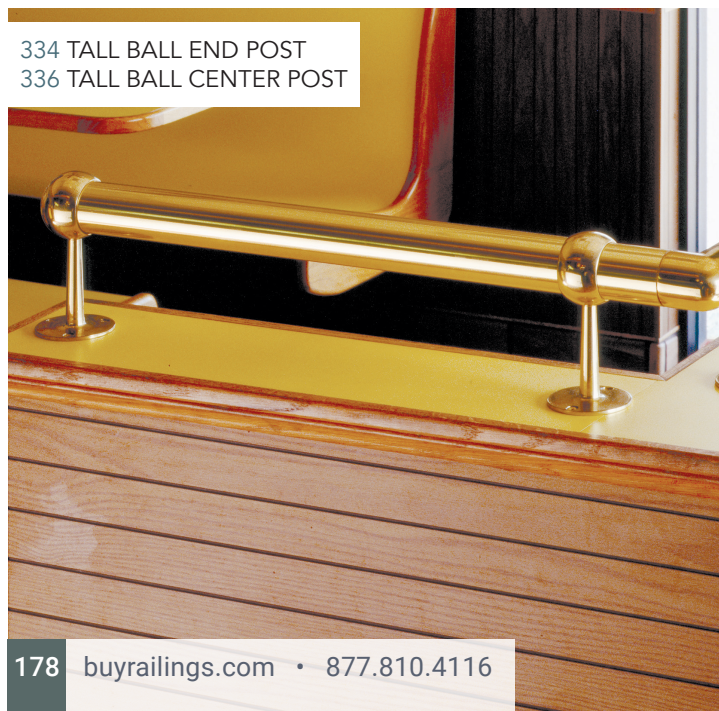
Item #	Description	Tubing Size	CP	D
POLISHED BRASS				
00-334/2	Bracket for 2" OD Tubing	2" OD	5"	3 1/4"

336 6" TALL BALL CENTER POST

Includes mounting hardware.

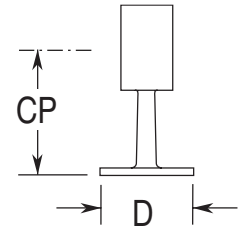


Item #	Description	Tubing Size	CP	D
POLISHED BRASS				
00-336/2	Bracket for 2" OD Tubing	2" OD	5"	3.75"



340 FLUSH END POST

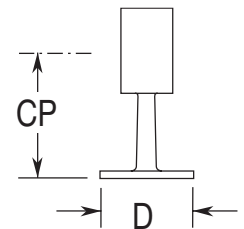
Includes mounting hardware.



Item #	Description	Tubing Size	CP	D
POLISHED BRASS				
00-340/1	Bracket for 1" OD Tubing	1" OD	2-1/8"	1-3/4"
00-340/1H	Bracket for 1-1/2" OD Tubing	1-1/2" OD	2-7/16"	2-5/16"
00-340/2	Bracket for 2" OD Tubing	2" OD	3-1/4"	2-1/2"
POLISHED STAINLESS STEEL 304				
40-340/1	Bracket for 1" OD Tubing	1" OD	2-1/8"	1-3/4"
40-340/1H	Bracket for 1-1/2" OD Tubing	1-1/2" OD	2-7/16"	2-5/16"
40-340/2	Bracket for 2" OD Tubing	2" OD	3-1/4"	2-1/2"
SATIN STAINLESS STEEL 304				
44-340/1	Bracket for 1" OD Tubing	1" OD	2-1/8"	1-3/4"
44-340/1H	Bracket for 1-1/2" OD Tubing	1-1/2" OD	2-7/16"	2-5/16"
44-340/2	Bracket for 2" OD Tubing	2" OD	3-1/4"	2-1/2"

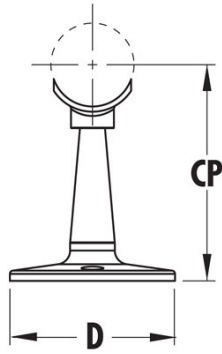
342 FLUSH CENTER POST

Includes mounting hardware.



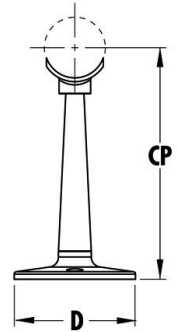
Item #	Description	Tubing Size	CP	D
POLISHED BRASS				
00-342/1	Bracket for 1" OD Tubing	1" OD	2-1/8"	1-3/4"
00-342/1H	Bracket for 1-1/2" OD Tubing	1-1/2" OD	2-7/16"	2-5/16"
00-342/2	Bracket for 2" OD Tubing	2" OD	3-1/4"	2-1/2"
POLISHED STAINLESS STEEL 304				
40-342/1	Bracket for 1" OD Tubing	1" OD	2-1/8"	1-3/4"
40-342/1H	Bracket for 1-1/2" OD Tubing	1-1/2" OD	2-7/16"	2-5/16"
40-342/2	Bracket for 2" OD Tubing	2" OD	3-1/4"	2-1/2"
SATIN STAINLESS STEEL 304				
44-342/1	Bracket for 1" OD Tubing	1" OD	2-1/8"	1-3/4"
44-342/1H	Bracket for 1-1/2" OD Tubing	1-1/2" OD	2-7/16"	2-5/16"
44-342/2	Bracket for 2" OD Tubing	2" OD	3-1/4"	2-1/2"

348 SHORT SADDLE POST



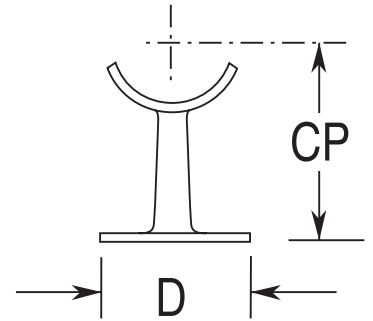
Item #	Description	Tubing Size	CP	D
SATIN STAINLESS STEEL 316				
49-348/1H	Saddle for 1-1/2" Tubing	1-1/2" OD	3-7/8"	3"
49-348/2	Saddle for 2" Tubing	2" OD	4-1/8"	3"

348L TALL SADDLE POST



Item #	Description	Tubing Size	CP	D
SATIN STAINLESS STEEL 316				
49-348L/1H	Saddle for 1-1/2" Tubing	1-1/2" OD	6"	3"
49-348L/2	Saddle for 2" Tubing	2" OD	6-1/4"	3"

882 TALL SADDLE POST



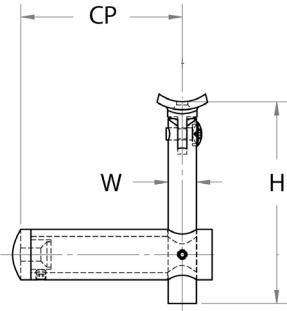
Item #	Description	Tubing Size	CP	D
POLISHED BRASS				
00-882/2	Saddle for 2" Tubing	2" OD	7"	2-7/8"

348 AND 308 MODULAR RAILING BRACKETS

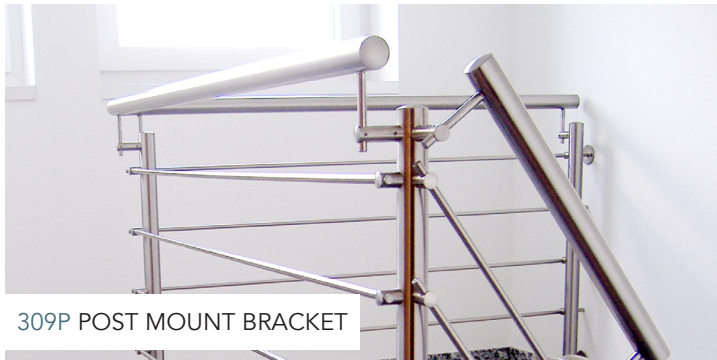


309P ROUND POST MOUNT BRACKET

Mounting hardware sold separately.



Item #	Description	Tubing Size	CP	H	W
SATIN STAINLESS STEEL 316					
49-309P/1H	For 1-1/2" and 1.67" (42.4mm) Round Handrail	1-1/2" & 1.67" OD	3.15"	3.937"	.55"



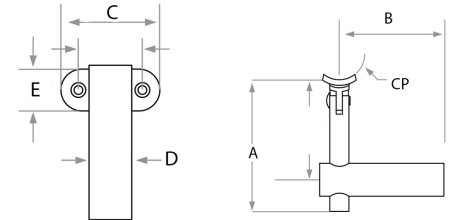
309P POST MOUNT BRACKET



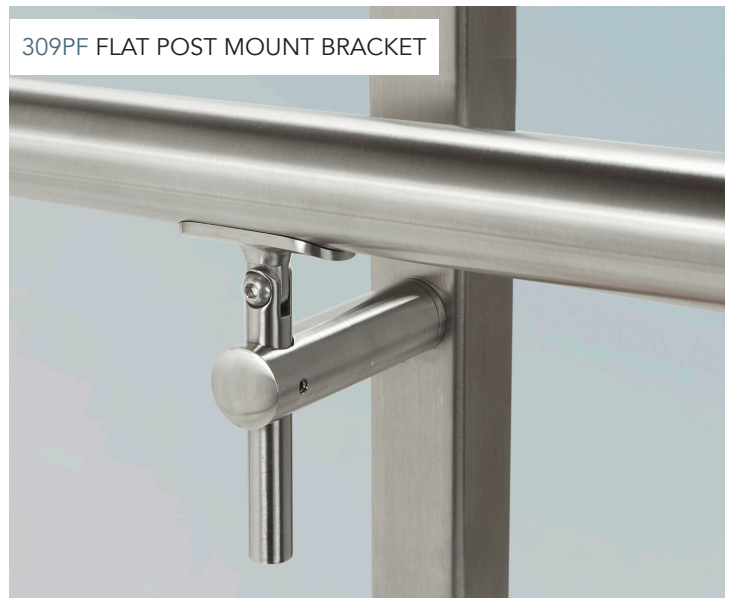
0169 POST MOUNT BRACKET

309PF FLAT POST MOUNT BRACKET

Handrail mounting screws QS-113 sold separately.



Item #	Description	Tubing Size	CP	A	B	C	D	E
SATIN STAINLESS STEEL 316								
49-309PF/1H	For Square Posts and 1-1/2" Round Handrail	1-1/2" OD	1.5"	3.937"	3.150"	2.362"	.984"	.984"



309PF FLAT POST MOUNT BRACKET



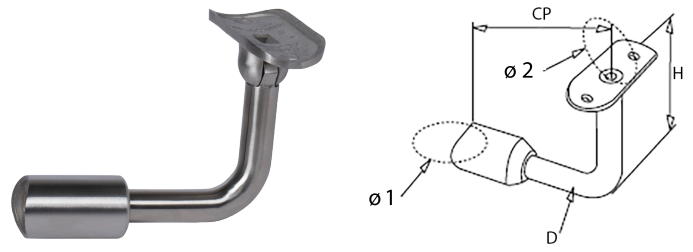
0169 POST MOUNT BRACKET



821 ADJUSTABLE BALL SADDLE

0169 POST MOUNT BRACKET

Mounting screw E0385 sold separately.



Item #	Description	Tubing Size	CP	D
SATIN STAINLESS STEEL 316				
49-0169/424	For 1.67" (42.4mm) Round Handrail	1.67" OD	2 1/2"	7/8"

821 ADJUSTABLE BALL SADDLE

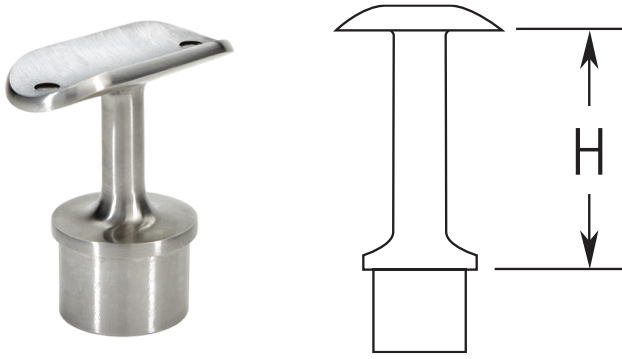
Self-tapping screws (2) included.



Item #	Description	Tubing Size	Wall	H
POLISHED BRASS				
00-821/2	For 2" x 0.05" Wall Tubing	2" OD	0.05"	2-1/8"
POLISHED STAINLESS STEEL 304				
40-821/1H	For 1-1/2" x 0.05" Wall Tubing	1-1/2" OD	0.05"	1-3/4"
40-821/2	For 2" x 0.05" Wall Tubing	2" OD	0.05"	2-1/8"
SATIN STAINLESS STEEL 304				
44-821/1H	For 1-1/2" x 0.05" Tubing	1-1/2" OD	0.05"	1-3/4"
44-821/2	For 2" x 0.05" Tubing	2" OD	0.05"	2-1/8"
POLISHED STAINLESS STEEL 316				
47-821/424	For 1.67" (42.4mm) x 0.08" Wall Tubing	1.67" OD	0.08"	2-1/2"
SATIN STAINLESS STEEL 316				
49-821/1H16	For 1-1/2" x 0.06" Wall Tubing	1-1/2" OD	0.06"	1-3/4"
49-821/424	For 1.67" (42.4mm) x 0.08" Tubing	1.67" OD	0.08"	2-3/8"

352 SHORT HANDRAIL SADDLE

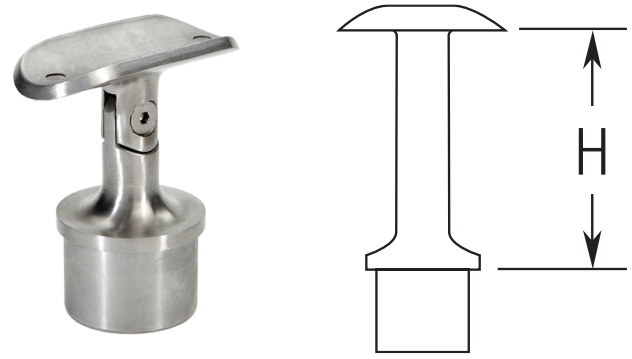
Handrail mounting screws QS-113 sold separately.



Item #	Description	Tubing Size	Wall	H
SATIN STAINLESS STEEL 316				
49-352/424	Saddle for 1.67" (42.4mm) Tubing	1.67" OD	0.08"	2"

352A SHORT ADJUSTABLE SADDLE

Handrail mounting screws QS-113 sold separately.

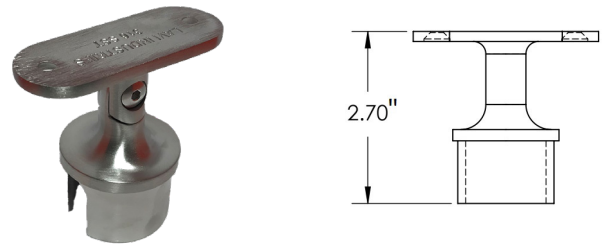


Item #	Description	Tubing Size	Wall	H
SATIN STAINLESS STEEL 316				
49-352A/424	(49-352A/424) Saddle for 1.67" (42.4mm) Tubing	1.67" OD	0.08"	2"

352F POST-HANDRAIL BRACKET SHORT - FLAT

Item #	Description	Tubing Size
SATIN STAINLESS STEEL 316		
49-352F/424	Satin (Brushed) 316 Stainless Steel Perpendicular Short Bracket 1.67" Tubing - Flat Top Saddle	1.67" OD (0.08" Wall)

352AF SHORT ADJUSTABLE FLAT SADDLE



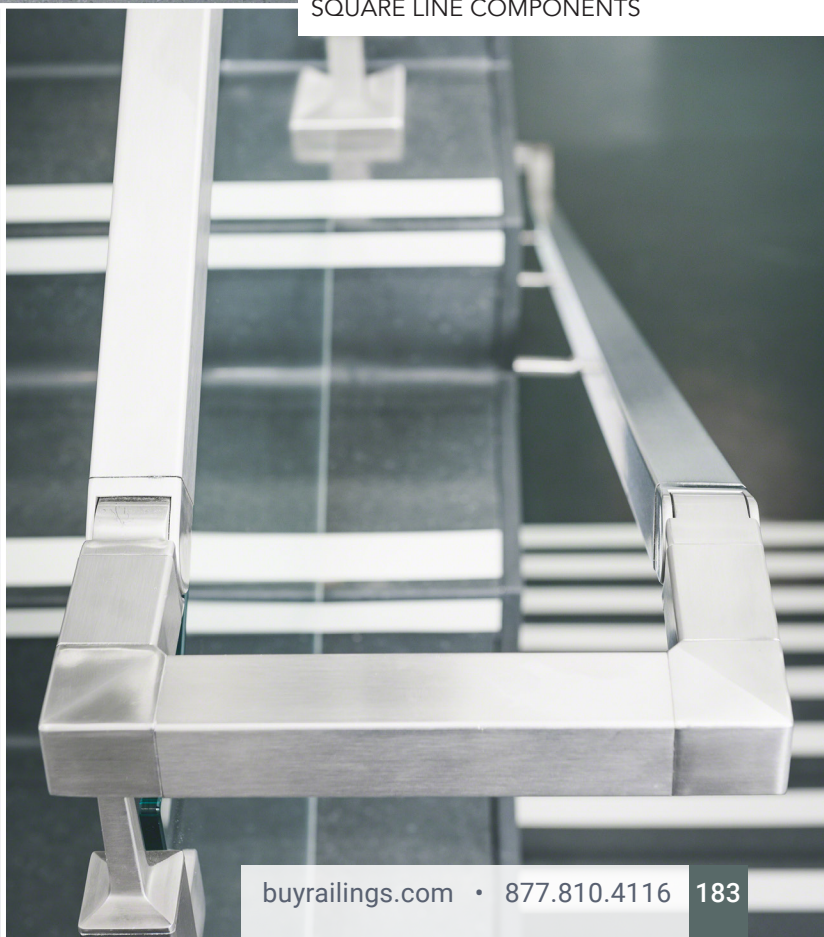
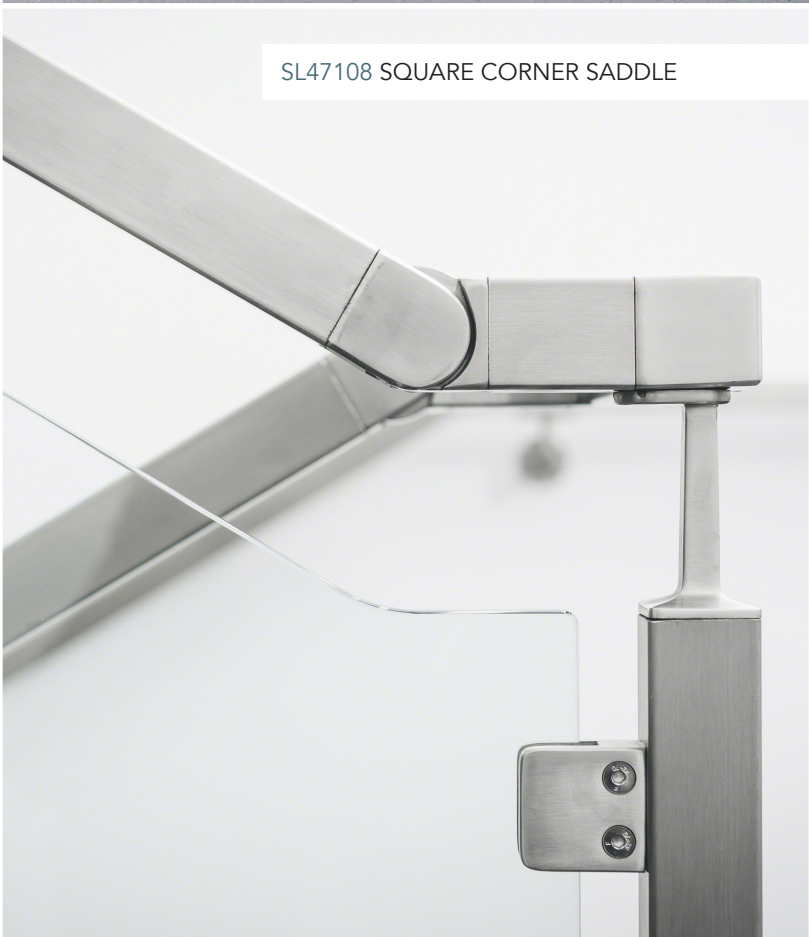
Item #	Description	Tubing Size	Wall
SATIN STAINLESS STEEL 316			
49-352AF/424	Saddle for 1.67" (42.4mm) Tubing	1.67" OD	0.08"





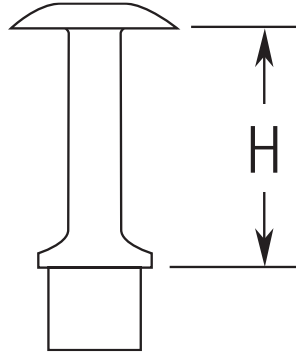
SQUARE LINE COMPONENTS

SL47108 SQUARE CORNER SADDLE



352L SHORT CORNER SADDLE

49-732/424 flush ell fits on top of this saddle - enabling a 90 degree turn for handrail 49-A114.



Item #	Description	Tubing Size	Wall	H
SATIN STAINLESS STEEL 316				
49-352L/424	Saddle for 1.67" (42.4mm) Tubing	1.67" OD	0.08"	2"

E1540 SADDLE FOR CHANNEL TUBE

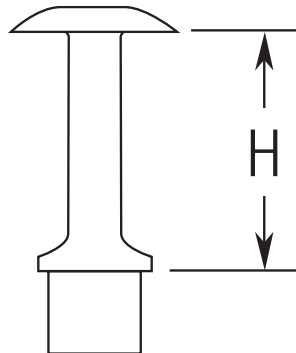
Designed for use with Channel Tube item A114U and to allow an LED lighting strip to pass through.



Item #	Description	Tubing Size	Wall
SATIN STAINLESS STEEL 316			
E1540100	For 1.67" (42.4mm) Round Channel Tubing	1.67" OD	0.08"

350 TALL HANDRAIL SADDLE

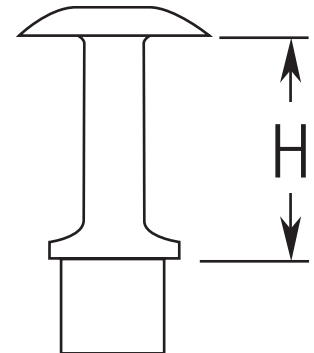
Handrail mounting screws QS-113 sold separately.



Item #	Description	Tubing Size	Wall	H
SATIN STAINLESS STEEL 316				
49-350/424	Saddle for 1.67" (42.4mm) Tubing	1.67" OD	0.08"	3"
49-350/216	Saddle for 2" Tubing	2" OD	0.06"	3"

352SQ SADDLE FOR SQ & ROUND

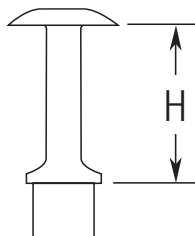
For square posts and round handrail.



Item #	Description	Tubing Size	Wall	H
SATIN STAINLESS STEEL 316				
49-352SQ/2	For 2" Post and 1-1/2" Handrail	2" x 2"	0.12"	1.719"
49-352SQ/1H	For 1-1/2" Post and Handrail	1-1/2" x 1-1/2"	0.12"	1.719"
49-352SQ/40	For 1.57" Post and Handrail	1.57" x 1.57"	0.12"	1.719"

350A TALL ADJUSTABLE SADDLE

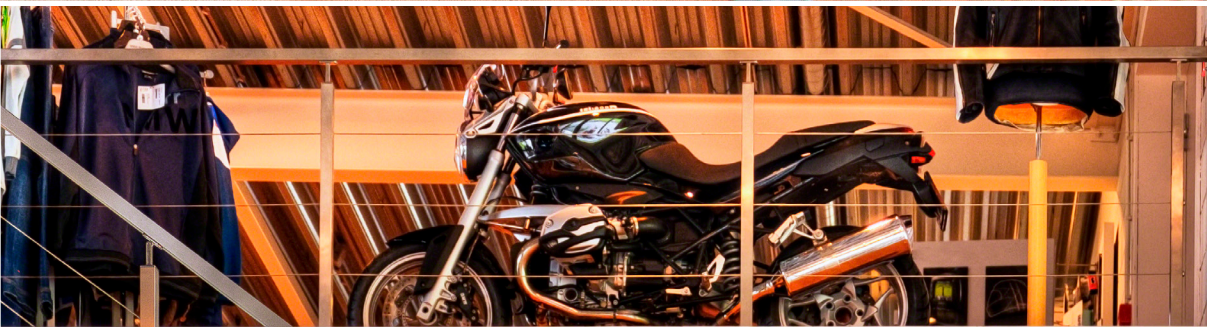
Handrail mounting screws QS-113 sold separately.



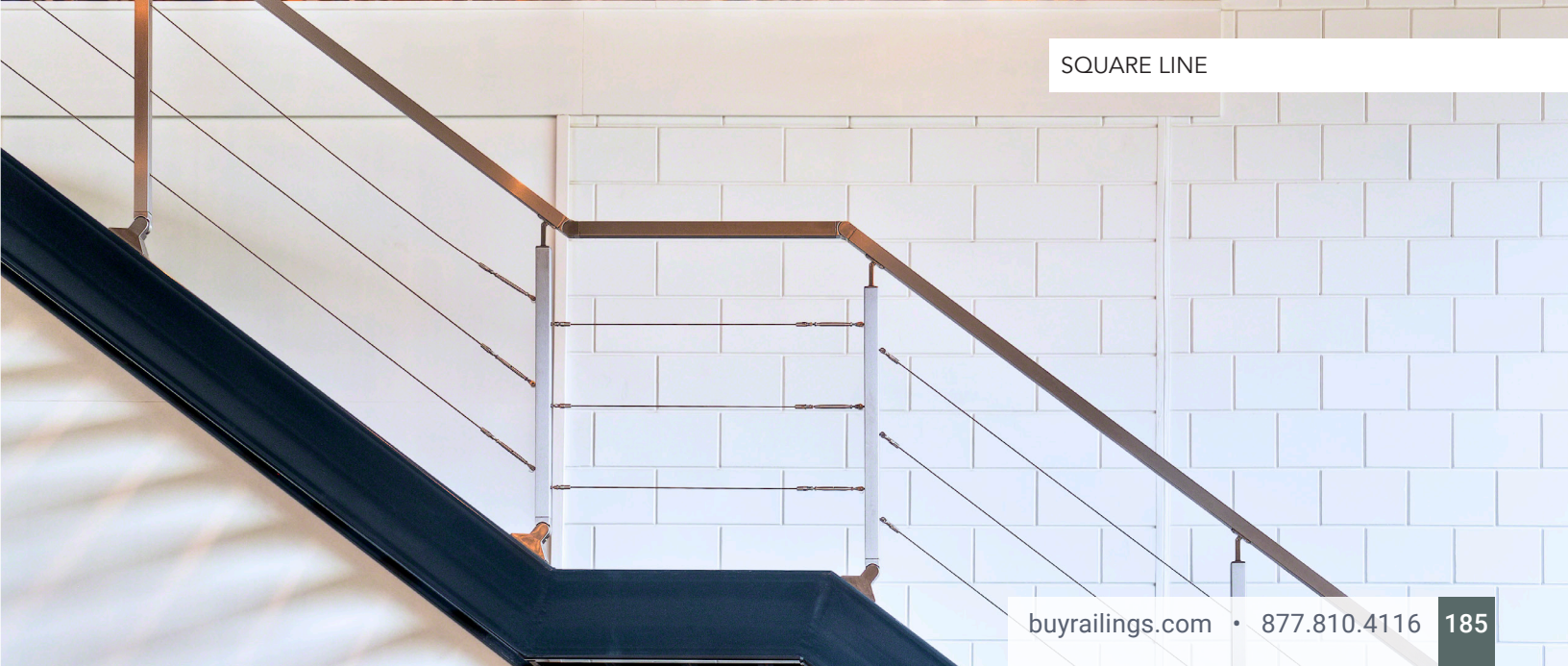
Item #	Description	Tubing Size	Wall	H
SATIN STAINLESS STEEL 316				
49-350A/424	Saddle for 1.67" (42.4mm) Tubing	1.67" OD	0.08"	3"
49-350A/216	Saddle for 2" Tubing	2" OD	0.06"	3"



DEN HAAG, NETHERLANDS

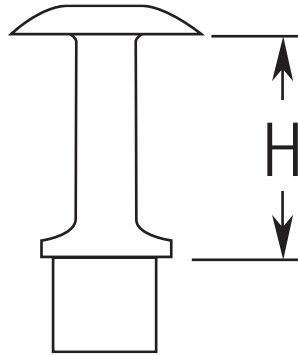


SQUARE LINE



352ASQ SADDLE FOR SQ & ROUND

For square posts and round handrail.



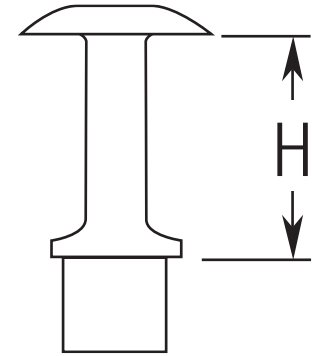
Item #	Description	Tubing Size	Wall	H
--------	-------------	-------------	------	---

SATIN STAINLESS STEEL 316

49-352ASQ/2	For 2" Post and 1-1/2" Handrail	2" x 2"	0.12"	1.719"
49-352ASQ/1H	For 1-1/2" Post and Handrail	1-1/2" x 1-1/2"	0.12"	1.719"
49-352ASQ/40	For 1.57" Post and Handrail	1.57" x 1.57"	0.12"	1.719"

352ASQF ADJ SADDLE FOR SQUARE

For square posts and flat handrail.



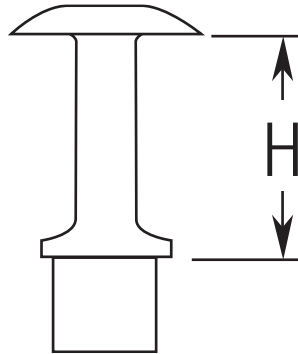
Item #	Description	Tubing Size	Wall	H
--------	-------------	-------------	------	---

SATIN STAINLESS STEEL 316

49-352ASQF/2	For 2" x 0.12" Wall	2" x 2"	0.12"	1.719"
49-352ASQF/1H	For 1-1/2" x 0.12" Wall	1-1/2" x 1-1/2"	0.12"	1.719"
49-352ASQF/40	For 1.57" x 0.12" Wall	1.57" x 1.57"	0.12"	1.719"

352SQF SADDLE FOR SQUARE TUBE

For square posts and flat handrail.

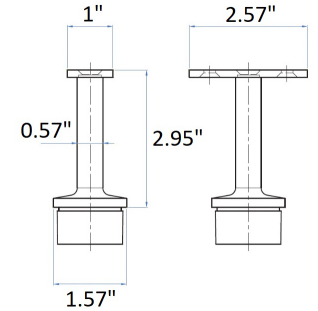


Item #	Description	Tubing Size	Wall	H
--------	-------------	-------------	------	---

SATIN STAINLESS STEEL 316

49-352SQF/2	For 2" x 0.12" Wall	2" x 2"	0.12"	1.719"
49-352SQF/1H	For 1-1/2" x 0.12" Wall	1-1/2" x 1-1/2"	0.12"	1.719"
49-352SQF/40	For 1.57" x 0.12" Wall	1.57" x 1.57"	0.12"	1.719"

352H-SQF TALL SADDLE FOR SQUARE



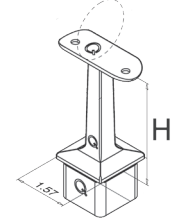
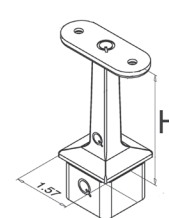
Item #	Description	Tubing Size	Position
--------	-------------	-------------	----------

SATIN STAINLESS STEEL 316

49-352H-SQF/40	For 1.57" x 0.08" Wall	1.57" x 1.57"	Level
49-352H-ASQF/40	For 1.57" x 0.08" Wall	1.57" x 1.57"	Stair

SL4710R SDL FOR SQUARE & ROUND

For square posts and round handrail.



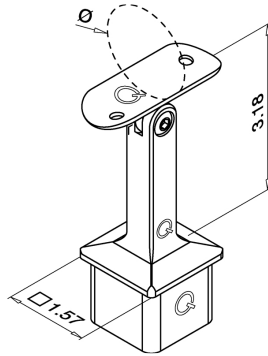
Item #	Description	Tubing Size	Wall	H
--------	-------------	-------------	------	---

SATIN STAINLESS STEEL 316

49-4710R/1H	For 1.57" (40mm) Post and 1-1/2" OD Handrail	1.57" x 1.57"	0.08"	3.19"
-------------	--	---------------	-------	-------

SL4718R SDL FOR SQUARE & ROUND

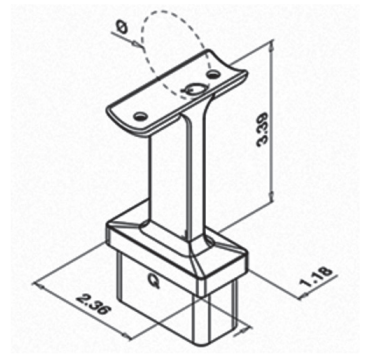
For square posts and round handrail.



Item #	Description	Tubing Size	Wall	H
SATIN STAINLESS STEEL 316				
49-4718R/1H	For 1.57" (40mm) Post and 1-1/2" OD Handrail	1.57" x 1.57"	0.08"	3.19"

RL4711R TALL HANDRAIL SADDLE

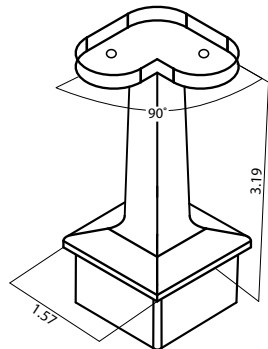
Fixed Saddle. For rectangular posts to round handrail.



Item #	Description	Tubing Size	Wall
SATIN STAINLESS STEEL 316			
49-RL4711R/6030	For 2.36" x 1.18" (60x30x2.6mm) Posts and 1.5" Handrail	2.36" x 1.18"	0.10"

SL47108 CORNER SDL SQUARE TUBE

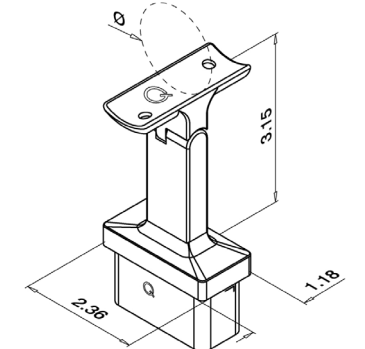
Handrail mounting screws QS-113 sold separately.



Item #	Description	Tubing Size	Wall	H
SATIN STAINLESS STEEL 316				
49-47108/40	For 1.57" (40mm) x 0.08" Wall	1.57" x 1.57"	0.08"	3.19"

RL4719R TALL HANDRAIL SADDLE

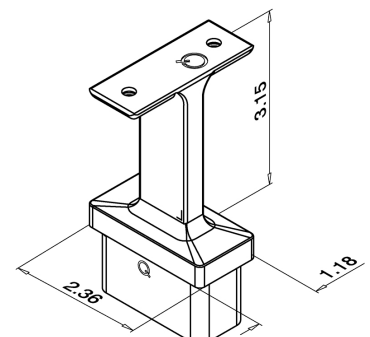
Adjustable saddle. For rectangular posts to round handrail.



Item #	Description	Tubing Size	Wall
SATIN STAINLESS STEEL 316			
49-RL4719R/6030	For 2.36" x 1.18" Posts and 1.5" Handrail	2.36" x 1.18"	0.10"

RL4711F SDL RECTANGULAR TUBE

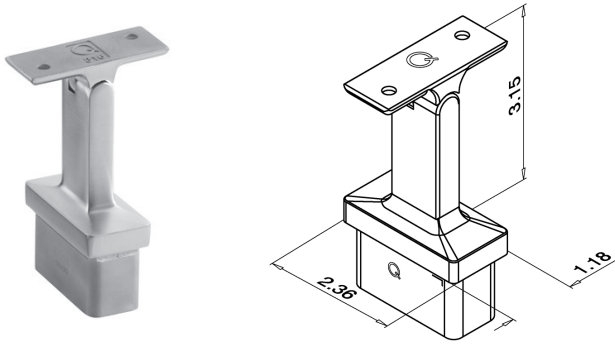
Fixed Saddle. For rectangular posts with flat handrail.



Item #	Description	Tubing Size
SATIN STAINLESS STEEL 316		
49-RL4711F/6030	For 2.36" x 1.18" (60x30x2.6mm) Tubing	2.36" x 1.18"

RL4719F TALL HANDRAIL SADDLE

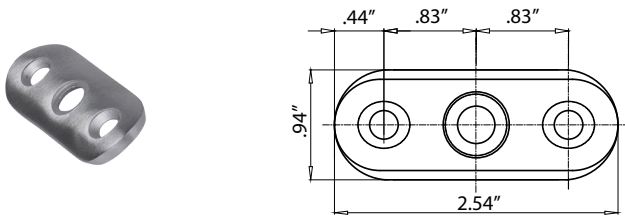
Adjustable Saddle. For rectangular posts and flat handrail.



Item #	Description	Tubing Size	Wall
SATIN STAINLESS STEEL 316			
49-RL4719F/6030	For Rectangular Post to Flat Handrail	2.36" x 1.18"	0.10"

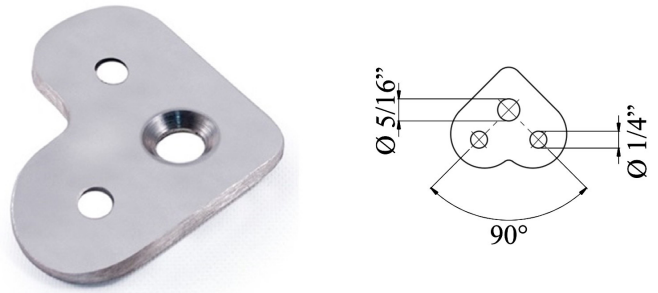
352T SADDLE

Use with item# 49-352L/424 to make a fixed saddle similar to 49-352/424.



Item #	Description	Tubing Size
SATIN STAINLESS STEEL 316		
49-352T/424	For 1.67" (42.4mm) Round Handrail	1.67" OD

352L-FT CORNER SADDLE FOR POST-HANDRAIL BRACKET



Item #	Description
SATIN STAINLESS STEEL 304	
44-352L-FT	For Flat Handrail
SATIN STAINLESS STEEL 316	
49-352L-FT	For Flat Handrail

400 COMBINATION FOOTRAIL BRKT



Item #	Description	Tubing Size	CP	H
POLISHED BRASS				
00-400/1H	Bracket for 1-1/2" OD Tubing	1-1/2" OD	6.26"	6.22"
00-400/2	Bracket for 2" OD Tubing	2" OD	5.93"	6.96"
POLISHED STAINLESS STEEL 304				
40-400/1H	Bracket for 1-1/2" OD Tubing	1-1/2" OD	6.44"	6.63"
40-400/2	Bracket for 2" OD Tubing	2" OD	6.13"	7.03"
SATIN STAINLESS STEEL 304				
44-400/1H	Bracket for 1-1/2" OD Tubing	1-1/2" OD	6.44"	6.63"
44-400/2	Bracket for 2" OD Tubing	2" OD	6.13"	7.03"

400 COMBINATION FOOTRAIL BRACKET

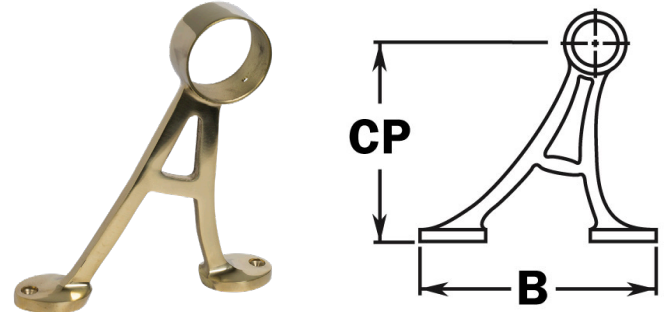


402 BAR MOUNT FOOTRAIL BRACKET



Item #	Description	Tubing Size	CP	B
POLISHED BRASS				
00-402/1H	Bracket for 1-1/2" OD Tubing	1-1/2" OD	6.0625"	3.875"
00-402/2	Bracket for 2" OD Tubing	2" OD	6.875"	4.25"
POLISHED STAINLESS STEEL 304				
40-402/1H	Bracket for 1-1/2" OD Tubing	1-1/2" OD	6.0625"	3.875"
40-402/2	Bracket for 2" OD Tubing	2" OD	6.875"	4.25"
SATIN STAINLESS STEEL 304				
44-402/1H	Bracket for 1-1/2" OD Tubing	1-1/2" OD	6.0625"	3.875"
44-402/2	Bracket for 2" OD Tubing	2" OD	6.875"	4.25"

404 FLOOR MOUNT FOOTRAIL BRKT



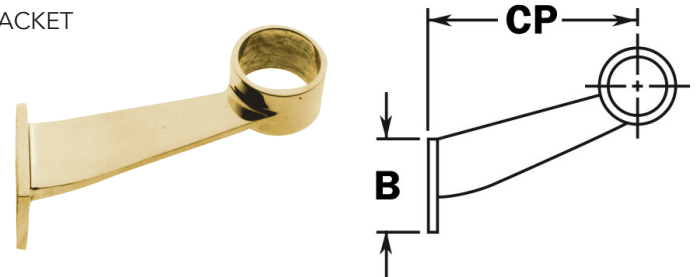
Item #	Description	Tubing Size	CP	B
POLISHED BRASS				
00-404/1H	Bracket for 1-1/2" OD Tubing	1-1/2" OD	6"	6.3125"
00-404/2	Bracket for 2" OD Tubing	2" OD	6.125"	6.6875"

406 CONTEMPORARY FOOTRAIL BRKT

Ideal for bar mount or floor mount application.



400 COMBINATION FOOTRAIL BRACKET

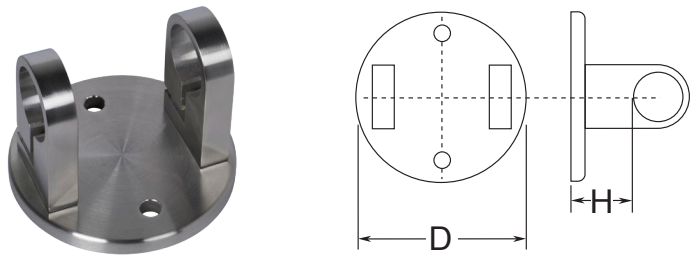


Item #	Description	Tubing Size	CP	B
POLISHED BRASS				
00-406/2	Bracket for 2" OD Tubing	2" OD	6.0625"	2.875"



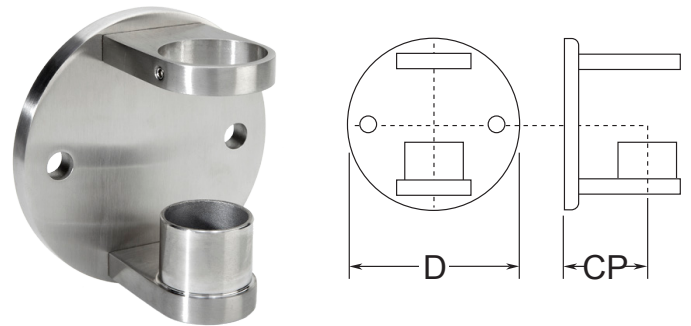
402 FOOTRAIL BRACKET

WA102 FASCIA MOUNT BRACKET



Item #	Description	Tubing Size	D	H
SATIN STAINLESS STEEL 316				
49-WA102/1H	Bracket for 1-1/2" OD Tubing	1-1/2" OD	4.72"	1.77"
49-WA102/424	Bracket for 1.67" OD Tubing	1.67" OD	4.72"	1.77"
49-WA102/2	Bracket for 2" OD Tubing	2" OD	4.72"	1.77"

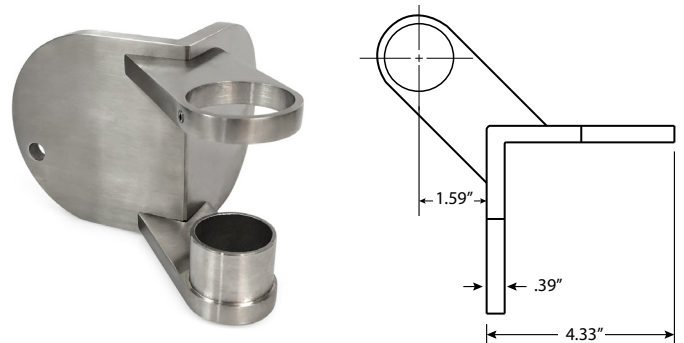
WA103 FASCIA MOUNT BRACKET



Item #	Description	Tubing Size	D	CP
SATIN STAINLESS STEEL 316				
49-WA103/424	Bracket for 1.67" (42.4mm) Tubing	1.67" OD	4.33"	1.97"

WA103LO FASCIA BRACKET

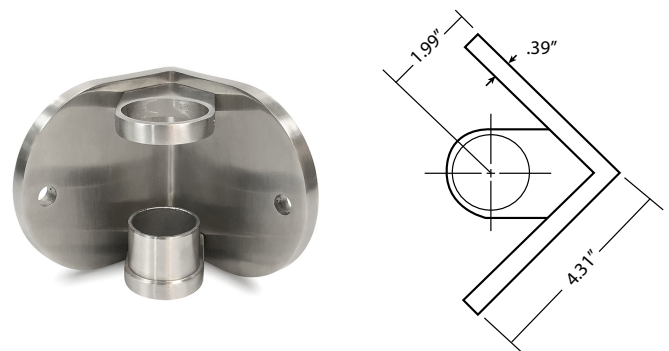
Outside corner bracket for 1.67" round tubing.



Item #	Description	Tubing Size
SATIN STAINLESS STEEL 316		
49-WA103LO/424	BRACKET FOR 1.67" (42.4MM) TUBING	1.67" OD (0.08" Wall)

WA103LI FASCIA BRACKET

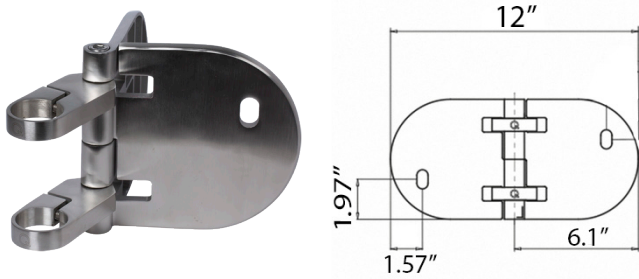
Inside corner bracket for 1.67" round tubing.



Item #	Description	Tubing Size
SATIN STAINLESS STEEL 316		
49-WA103LI/424	BRACKET FOR 1.67" (42.4MM) TUBING	1.67" OD (0.08" Wall)



WA0555 CORNER FASCIA MNT BRKT



Item #	Description	Tubing Size	W	H
SATIN STAINLESS STEEL 316				
49-0555/1H	Bracket for 1-1/2" OD Tubing	1-1/2" OD	6.61"	5.91"

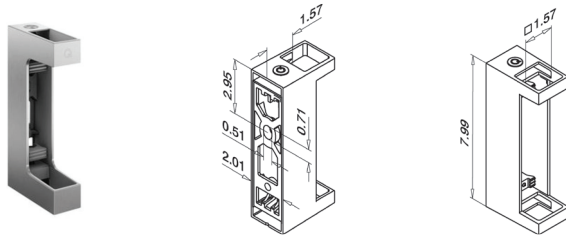
450 ARMRAIL BRACKET



Item #	Description	Tubing Size	CP
POLISHED BRASS			
00-450/1H	Bracket for 1-1/2" OD Tubing	1-1/2" OD	5 3/4"
00-450/2	Bracket for 2" OD Tubing	2" OD	5 9/16"
POLISHED STAINLESS STEEL 304			
40-450/1H	Bracket for 1-1/2" OD Tubing	1-1/2" OD	5 3/4"

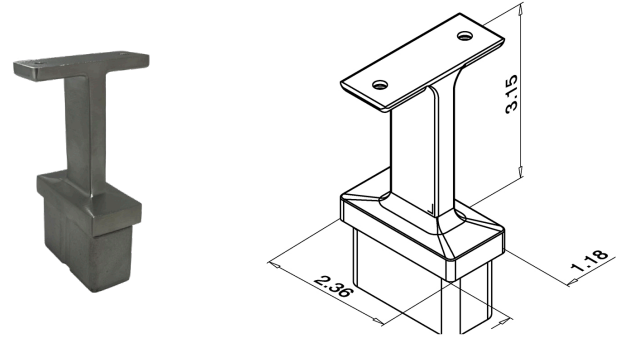
RL4558 FASCIA MOUNT BRACKET

Use to support rectangular tube 49-RL4926/6030.



Item #	Description	Tubing Size
SATIN STAINLESS STEEL 316		
49-RL4558/6030	For 2.36" x 1.18" (60x30x2.6mm) Tubing	2.36" X 1.18"

352RLF RECTANGULAR LINE FIXED SADDLE



Item #	Description	Tubing Size
SATIN STAINLESS STEEL 316		
49-352RLF/6030	For 2.36"x1.18" Posts and Flat Handrail	2.36"x1.18"

WA106 FASCIA MOUNT BRACKET

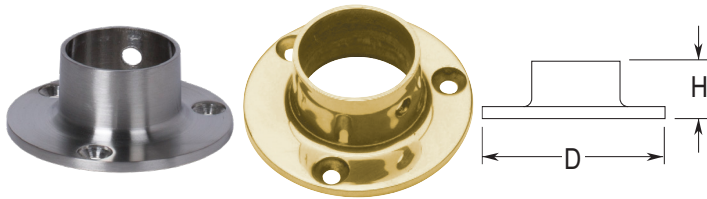


Item #	Description	Tubing Size
SATIN STAINLESS STEEL 316		
49-WA106/2	For 2" Tubing	2" x 2"
49-WA106/1HSQ	For 1-1/2" Tubing	1-1/2" x 1-1/2"

FLANGES

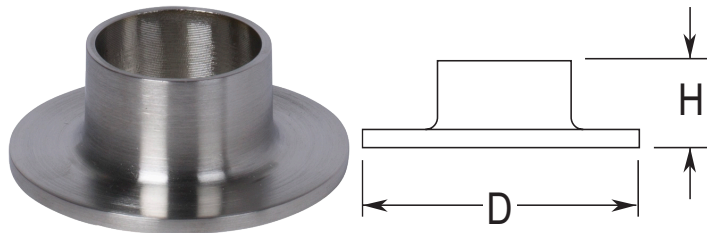
Our selection of flanges is designed to meet wall, floor and fascia mounting conditions and are available in polished brass, polished stainless steel, and brushed stainless steel. Build complete assemblies by combining these flanges with our matching tube, flush fittings, and ball fittings.

500 WALL FLANGE FOR 1" OD TUBE



Item #	Description	Tubing Size	D	H
POLISHED BRASS				
00-500/1	For 1" OD Tubing	1" OD	2-1/8"	13/16"
POLISHED STAINLESS STEEL 304				
40-500/1	For 1" OD Tubing	1" OD	2-1/8"	13/16"
SATIN STAINLESS STEEL 304				
44-500/1	For 1" OD Tubing	1" OD	2-1/8"	13/16"

500U UNDRILLED FLANGE FOR 1" OD TUBE



Item #	Description	Tubing Size	D	H
POLISHED STAINLESS STEEL 304				
40-500U/1	For 1" OD Tubing	1" OD	1"	7/8"
SATIN STAINLESS STEEL 304				
44-500U/1	For 1" OD Tubing	1" OD	1"	7/8"

510 WALL FLANGE FOR 1-1/2" OD TUBE



Item #	Description	Tubing Size	D	H
POLISHED BRASS				
00-510/1H	For 1-1/2" OD Tubing	1-1/2" OD	3"	1-1/16"
SATIN STAINLESS STEEL 304				
44-510/1H	For 1-1/2" OD Tubing	1-1/2" OD	3"	1-1/16"
POLISHED STAINLESS STEEL 316				
47-510/1H	For 1-1/2" OD Tubing	1-1/2" OD	3"	1-1/16"
47-510/424	For 1.67" OD (42.4mm) Tubing	1.67" OD	3-3/8"	1"
SATIN STAINLESS STEEL 316				
49-510/1H	For 1-1/2" OD Tubing	1-1/2" OD	3"	1-1/16"
49-510/424	For 1.67" OD (42.4mm) Tubing	1.67" OD	3-3/8"	1"

511 CUT FLANGE FOR 1-1/2" OD TUBE



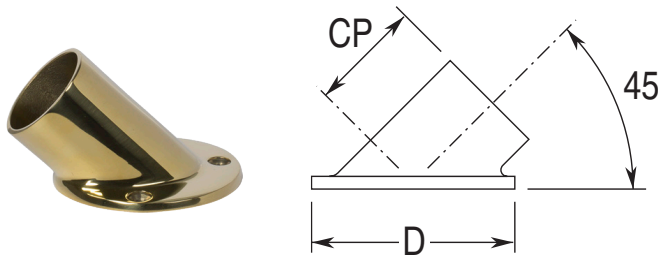
Item #	Description	Tubing Size	D	W
POLISHED BRASS				
00-511/1H	For 1-1/2" OD Tubing	1-1/2" OD	3"	2"
POLISHED STAINLESS STEEL 304				
40-511/1H	For 1-1/2" OD Tubing	1-1/2" OD	3"	2"
SATIN STAINLESS STEEL 304				
44-511/1H	For 1-1/2" OD Tubing	1-1/2" OD	3"	2"
SATIN STAINLESS STEEL 316				
49-511/424	For 1.67" (42.4mm) OD Tubing	1.67" OD	3"	2"

512 FLOOR FLANGE FOR 1-1/2" OD TUBE



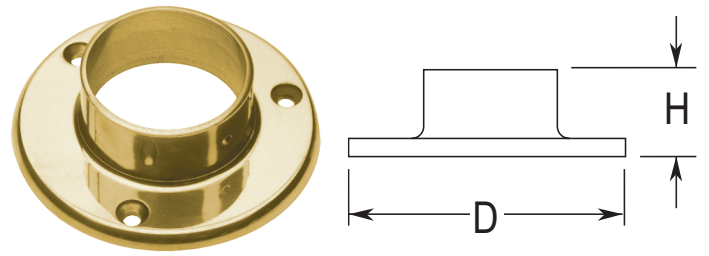
Item #	Description	Tubing Size	D	H
POLISHED BRASS				
00-512/1H	For 1-1/2" OD Tubing	1-1/2" OD	4"	1 1/4"
POLISHED STAINLESS STEEL 304				
40-512/1H	For 1-1/2" OD Tubing	1-1/2" OD	4"	1 1/4"
SATIN STAINLESS STEEL 304				
44-512/1H	For 1-1/2" OD Tubing	1-1/2" OD	4"	1 1/4"

515-535 45 DEG ANGLE FLANGE



Item #	Description	Tubing Size	CP	D
POLISHED BRASS				
00-515/1H	For 1-1/2" OD Tubing	1-1/2" OD	2 1/8"	3"
00-535/2	For 2" OD Tubing	2" OD	2 1/8"	4"

530 WALL FLANGE FOR 2" OD TUBE



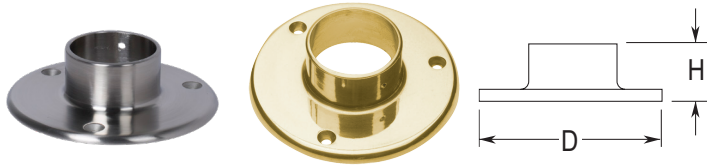
Item #	Description	Tubing Size	D	H
POLISHED BRASS				
00-530/2	For 2" Tubing	2" OD	4"	1-1/4"
POLISHED STAINLESS STEEL 316				
47-530/2	For 2" Tubing	2" OD	4"	1-1/4"
SATIN STAINLESS STEEL 316				
49-530/2	For 2" Tubing	2" OD	4"	1-1/4"

531 CUT WALL FLANGE FOR 2" OD TUBE



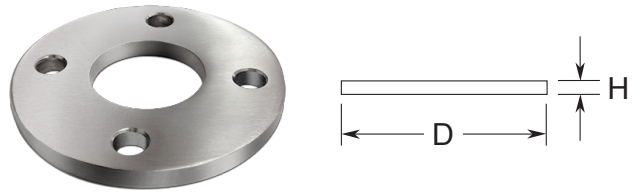
Item #	Description	Tubing Size	D	W
POLISHED BRASS				
00-531/2	For 2" Tubing	2" OD	4"	2 1/2"
POLISHED STAINLESS STEEL 304				
40-531/2	For 2" Tubing	2" OD	4"	2 1/2"
SATIN STAINLESS STEEL 304				
44-531/2	For 2" Tubing	2" OD	4"	2 1/2"

532 FLANGE FOR 2" OD TUBE



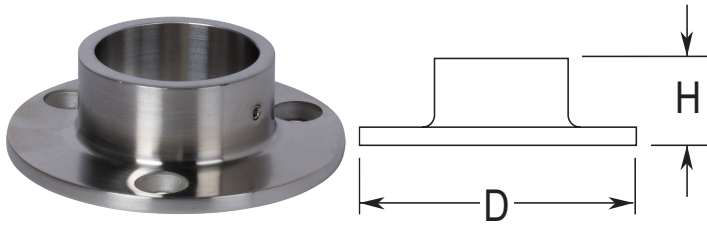
Item #	Description	Tubing Size	H	D
POLISHED BRASS				
00-532/2	For 2" Tubing	2" OD	13/8"	5"
POLISHED STAINLESS STEEL 304				
40-532/2	For 2" Tubing	2" OD	13/8"	5"
SATIN STAINLESS STEEL 304				
44-532/2	For 2" Tubing	2" OD	13/8"	5"

541 FLOOR FLANGE



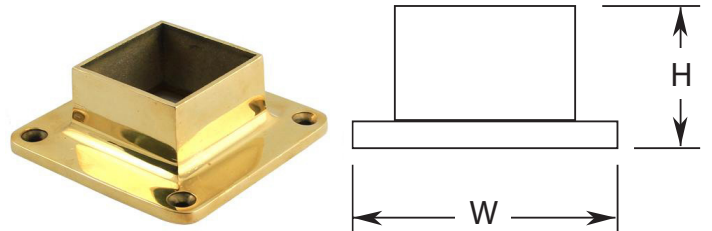
Item #	Description	Tubing Size	D	H
SATIN STAINLESS STEEL 316				
49-541/1H	For 1-1/2" OD Tubing	1-1/2" OD	3-15/16"	5/16"
49-541/424	For 1.67" OD (42.4mm) Tubing	1.67" OD	4-15/16"	5/16"
49-541/2	For 2" OD Tubing	2" OD	3-15/16"	5/16"

510W WALL FLANGE FOR WOOD



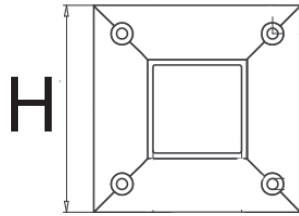
Item #	Description	Tubing Size	D	H
SATIN STAINLESS STEEL 304				
44-510W/45	For 1.77" (45mm) OD Wood	1.77" OD (45mm)	3.74"	1.14"

590 WALL FLANGE



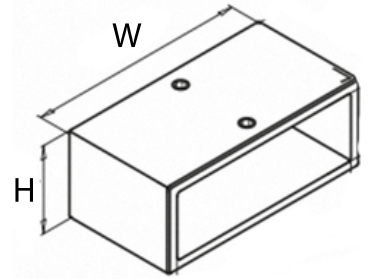
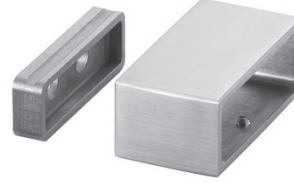
Item #	Description	Tubing Size	W	H
POLISHED BRASS				
00-590/1H	For 1-1/2" Square Tubing	1-1/2" x 1-1/2"	3-1/2"	1-1/2"

SL4505 WALL FLANGE



Item #	Description	Tubing Size	H
SATIN STAINLESS STEEL 316			
49-4505/40	For 1.57" (40mm) Square Tubing	1.57" x 1.57"	3.74"

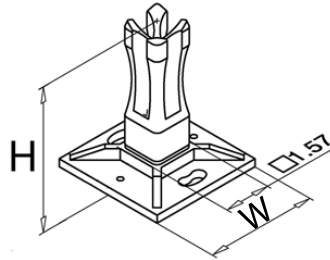
RL4504 WALL FLANGE



Item #	Description	Tubing Size	W	H
SATIN STAINLESS STEEL 316				
49-RL4504/6020	For 2.36" x 0.78" (60x20mm) Tubing	2.36" x 0.78"	2.36"	.78"

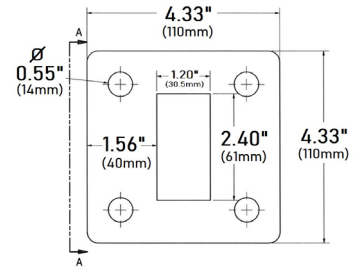
SL4942 SQUARE FLANGE & INSERT

Square Line Base plate glued upright. (2) QS-34 Bolts NOT INCLUDED must be purchased separately. Glue tube to flange with adhesive LB-00201.



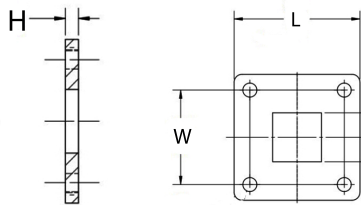
Item #	Description	Tubing Size	Wall	H	W
SATIN STAINLESS STEEL 316					
49-4942/40	For 1.57" (40mm) x 0.08" Wall Square Tubing	1.57" x 1.57"	0.08"	5.08"	3.94"

594 WELDING FLANGE FOR RECTANGULAR TUBING



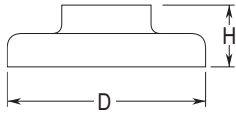
Item #	Description	Tubing Size
SATIN STAINLESS STEEL 316		
49-594/6030	For 2.36" x 1.18" (60x30mm) Rectangular Tubing	2.36" x 1.18"

593 FLOOR FLANGE



Item #	Description	Tubing Size	L	W	H
SATIN STAINLESS STEEL 316					
49-593/2	For 2" Square Tubing	2" x 2"	4-29/32"	4-29/32"	5/16"
49-593/1H	For 1-1/2" Square Tubing	1-1/2" x 1-1/2"	3-15/16"	3-15/16"	5/16"
49-593/40	For 1.57" (40mm) Square Tubing	1.57" x 1.57"	3-15/16"	3-15/16"	5/16"

540 FLANGE CANOPY



Item #	Description	Tubing Size	CD	D	H
--------	-------------	-------------	----	---	---

POLISHED BRASS

00-540/1H	For 1-1/2" OD Tubing	1-1/2" OD	1.52"	4"	0.86"
00-540/2	For 2" OD Tubing	2" OD	2.02"	5"	0.86"

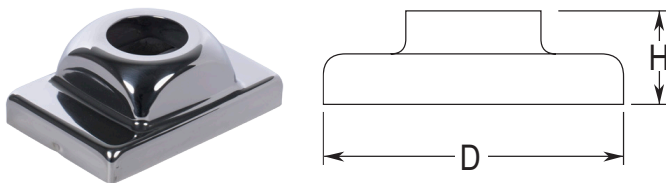
POLISHED STAINLESS STEEL 316

47-540/1H	For 1-1/2" OD Tubing	1-1/2" OD	1.52"	4.13"	1"
47-540/424	For 1.67" OD (42.4mm) Tubing	1.67" OD	1.69"	4.13"	1"
47-540/2	For 2" OD Tubing	2" OD	2.02"	5.13"	1"

SATIN STAINLESS STEEL 316

49-540/1H	For 1-1/2" OD Tubing	1-1/2" OD	1.52"	4.13"	1"
49-540/424	For 1.67" OD (42.4mm) Tubing	1.67" OD	1.69"	4.13"	1"
49-540/2	For 2" OD Tubing	2" OD	2.02"	5.13"	1"

540C CUT FLANGE CANOPY



Item #	Description	Tubing Size	D	H
--------	-------------	-------------	---	---

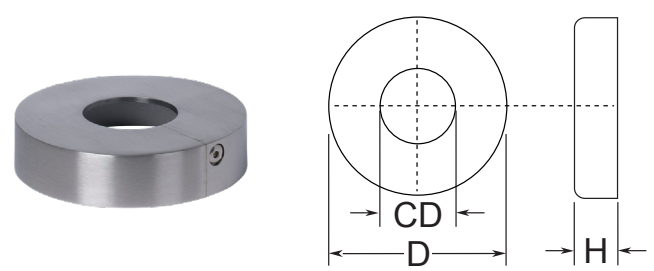
POLISHED STAINLESS STEEL 304

40-540C/1H	For 1-1/2" OD Tubing	1-1/2" OD	4-1/2"	1-3/4"
40-540C/2	For 2" OD Tubing	2" OD	4-1/2"	1-3/4"

SATIN STAINLESS STEEL 304

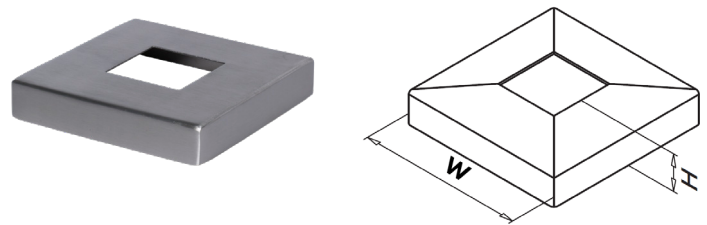
44-540C/1H	For 1-1/2" OD Tubing	1-1/2" OD	4-1/2"	1-3/4"
44-540C/2	For 2" OD Tubing	2" OD	4-1/2"	1-3/4"

540SP TWO PART FLANGE CANOPY



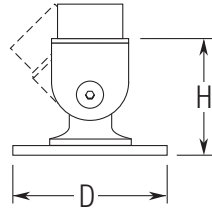
Item #	Description	Tubing Size	H	D
SATIN STAINLESS STEEL 316				
49-540SP/424	For 1.67" OD (42.4mm) Tubing	1.67" OD	1"	4"

540SQ SQUARE FLANGE CANOPY



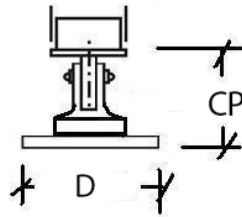
Item #	Description	Tubing Size	W	H
SATIN STAINLESS STEEL 316				
49-540SQ/2	Canopy for Flange 49-593/2	2" x 2"	5.118"	.984"
49-540SQ/1H	Canopy for Flange 49-593/1H	1-1/2" x 1-1/2"	4-1/8"	.968"
49-540SQ/40	Canopy for Flange 49-593/40	1.57" x 1.57"	4-1/8"	.968"

533 ADJUSTABLE ANGLE FLANGE



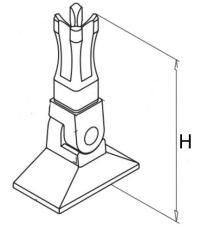
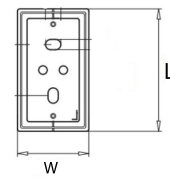
Item #	Description	Tubing Size	D	H
POLISHED BRASS				
00-533/1H	For 1-1/2" OD X 0.05" Wall Tubing	1-1/2" OD	3"	2-27/32"
POLISHED STAINLESS STEEL 304				
40-533/1H	For 1-1/2" OD X 0.05" Wall Tubing	1-1/2" OD	3"	2-27/32"
40-533/2	For 2" OD X 0.05" Wall Tubing	2" OD	4"	2-15/16"
SATIN STAINLESS STEEL 304				
44-533/1H	For 1-1/2" OD X 0.05" Wall Tubing	1-1/2" OD	3"	2-27/32"
44-533/2	For 2" OD X 0.05" Wall Tubing	2" OD	4"	2-15/16"
SATIN STAINLESS STEEL 316				
49-533/424	For 1.67" OD (42.4mm) x 0.08" Wall Tubing	1.67" OD	3-5/16"	2-3/8"
49-533/216	For 2" OD X 0.06" Wall Tubing	2" OD	3-5/16"	2-3/8"

491 ADJUSTABLE ANGLE FLANGE



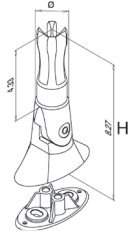
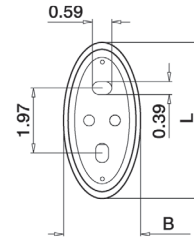
Item #	Description	Tubing Size	CP	D
POLISHED BRASS				
00-491/1H	For 1-1/2" OD X 0.05" Wall Tubing	1-1/2" OD	2-1/4"	3"
00-491/2	For 2" OD X 0.05" Wall Tubing	2" OD	3"	4-1/8"

SL4943 ADJ SQUARE FLANGE



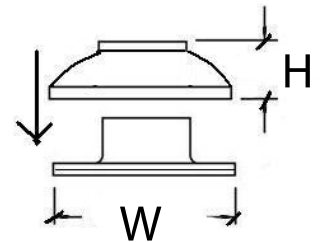
Item #	Description	Tubing Size	L	W	H
SATIN STAINLESS STEEL 316					
49-4943/40	For 1.57" (40mm) x 0.08" Wall Square Tubing	1.57" x 1.57"	4.72"	2.76"	8.26"

0945 ADJUSTABLE ANGLE FLANGE



Item #	Description	Tubing Size	Wall	H
SATIN STAINLESS STEEL 304				
44-0945/1H16	For 1-1/2" OD x 0.06" Wall Tubing	1-1/2" OD	0.06"	8.26"

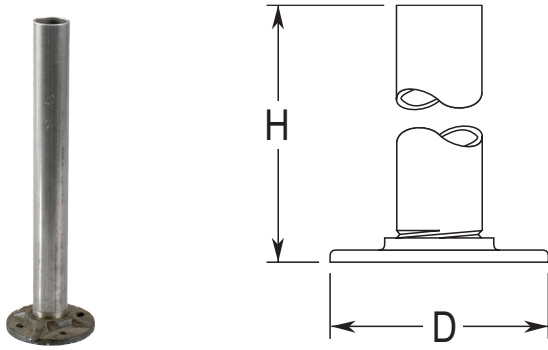
540D FLANGE W/COVER FOR 1-1/2"



Item #	Description	Tubing Size	H	W
POLISHED BRASS				
00-540D/1	For 1" Tubing	1" OD	1"	2-3/8"
00-540D/1H	For 1-1/2" Tubing	1-1/2" OD	1"	2-5/8"
00-540D/2	For 2" Tubing	2" OD	1-1/8"	3-5/16"

20-541 STEEL FLANGE AND INSERT

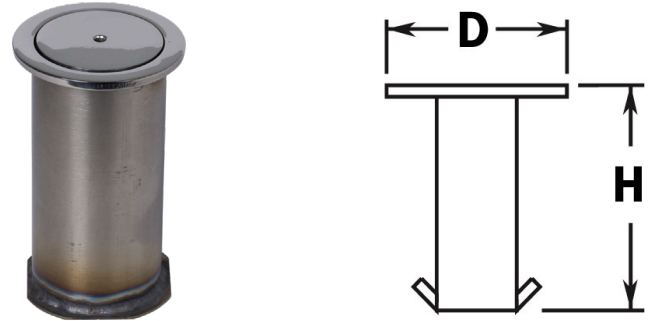
20-541/1H insert outside diameter = 1-3/8" - use with tube item A110. 20-541/2 insert outside diameter = 1-7/8" - use with tube item A120.



Item #	Description	Tubing Size	H	D
STEEL				
20-541/1H	For 1-1/2" OD x 0.05" Wall Tubing	1-1/2" OD	12"	3-1/2"
20-541/2	For 2" OD x 0.05" Wall Tubing	2" OD	12"	4-1/2"

544 FLOOR SOCKET WITH SM LIP

Includes floor socket and cap (545/2CAP).



Item #	Description	Tubing Size	D	H
POLISHED STAINLESS STEEL 304				
40-544/2	For 2" OD Tubing	2" OD	2-7/8"	4-1/2"
SATIN STAINLESS STEEL 304				
44-544/2	For 2" OD Tubing	2" OD	2-7/8"	4-1/2"

B/SET FLANGE, INSERT & CANOPY

1-1/2" set insert outside diameter = 1-3/8" - use with tube item A110. 2" set insert outside diameter = 1-7/8" - use with tube item A120.



Item #	Description	Tubing Size
POLISHED BRASS		
00-B/1H	For 1-1/2" OD Tubing w/Canopy	1-1/2" OD
00-B/2	For 2" OD Tubing w/Canopy	2" OD
POLISHED STAINLESS STEEL 304		
40-B/1H	For 1-1/2" OD Tubing w/Canopy	1-1/2" OD
40-B/2	For 2" OD Tubing w/Canopy	2" OD
SATIN STAINLESS STEEL 304		
44-B/1H	For 1-1/2" OD Tubing w/Canopy	1-1/2" OD
44-B/2	For 2" OD Tubing w/Canopy	2" OD

545 FLOOR SOCKET WITH LG LIP

Includes floor socket and cap (545/2CAP).



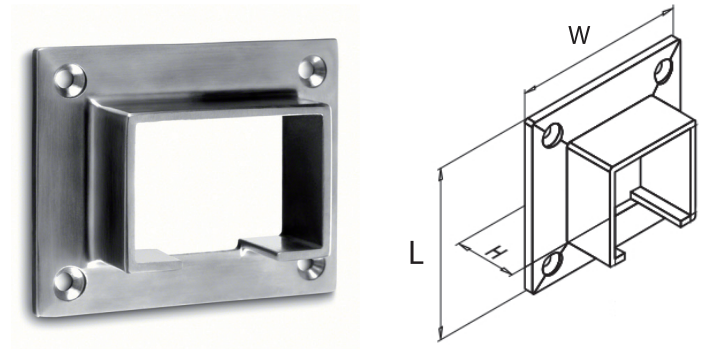
Item #	Description	Tubing Size	D	H
POLISHED BRASS				
00-545/2	For 2" OD Tubing	2" OD	4-7/8"	4-1/2"
POLISHED STAINLESS STEEL 304				
40-545/2	For 2" OD Tubing	2" OD	4-7/8"	4-1/2"
SATIN STAINLESS STEEL 304				
44-545/2	For 2" OD Tubing	2" OD	4-7/8"	4-1/2"

752 FLUSH ELL FLANGE ASSEMBLY



Item #	Description	Tubing Size	CP	D
POLISHED BRASS				
00-752/1H	For 1-1/2" OD x 0.05" Wall Tubing	1-1/2" OD	2-3/4"	3"
00-752/2	For 2" OD X 0.05" Wall Tubing	2" OD	3"	4"
POLISHED STAINLESS STEEL 304				
40-752/1H	For 1-1/2" OD X 0.05" Wall Tubing	1-1/2" OD	2-3/4"	3"
40-752/2	For 2" OD X 0.05" Wall Tubing	2" OD	3"	4"
SATIN STAINLESS STEEL 304				
44-752/1H	For 1-1/2" OD X 0.05" Wall Tubing	1-1/2" OD	2-3/4"	3"
44-752/2	For 2" OD X 0.05" Wall Tubing	2" OD	3"	4"

6505 WALL FLANGE



Item #	Description	L	W	H
SATIN STAINLESS STEEL 304				
44-6505/6040	For 2.36" x 1.57" (60x40mm) Channel Tubing	3-15/16"	3-15/16"	1-1/8"

754 FLUSH TEE FLANGE ASSEMBLY



Item #	Description	Tubing Size	CP	D
POLISHED BRASS				
00-754/1H	For 1-1/2" OD X 0.05" Wall Tubing	1-1/2" OD	2-3/4"	3"
00-754/2	For 2" OD X 0.05" Wall Tubing	2" OD	3"	4"
POLISHED STAINLESS STEEL 304				
40-754/1H	For 1-1/2" OD X 0.05" Wall Tubing	1-1/2" OD	2-3/4"	3"
40-754/2	For 2" OD X 0.05" Wall Tubing	2" OD	3"	4"
SATIN STAINLESS STEEL 304				
44-754/1H	For 1-1/2" OD X 0.05" Wall Tubing	1-1/2" OD	2-3/4"	3"
44-754/2	For 2" OD X 0.05" Wall Tubing	2" OD	3"	4"

END-CAPS & FINIALS

Securely cap off any handrail that doesn't return to a wall or post with an end cap. Our selection of finials and end caps is available in every shape, design and a variety of durable finishes. Our decorative and functional rail end caps and finials fit neatly and are easy to install. These end caps are designed to provide an elegant finishing touch to your handrail, foot rail, stair railing, or other metal architectural railing project.

600 FLUSH END CAP



Item #	Description	Tubing Size	D	H
--------	-------------	-------------	---	---

POLISHED BRASS

00-600/1	For 1" OD x 0.05" Wall Tubing	1" OD	1"	1/8"
00-600/1H	For 1-1/2" OD x 0.05" Wall Tubing	1-1/2" OD	1-1/2"	1/8"
00-600/2	For 2" OD x 0.05" Wall Tubing	2" OD	2"	1/8"

POLISHED STAINLESS STEEL 304

40-600/1	For 1" OD x 0.05" Wall Tubing	1" OD	1"	1/8"
40-600/1H	For 1-1/2" OD x 0.05" Wall Tubing	1-1/2" OD	1-1/2"	1/8"
40-600/2	For 2" OD x 0.05" Wall Tubing	2" OD	2"	1/8"

SATIN STAINLESS STEEL 304

44-600/1	For 1" OD x 0.05" Wall Tubing	1" OD	1"	1/8"
44-600/1H	For 1-1/2" OD x 0.05" Wall Tubing	1-1/2" OD	1-1/2"	1/8"
44-600/2	For 2" OD x 0.05" Wall Tubing	2" OD	2"	1/8"

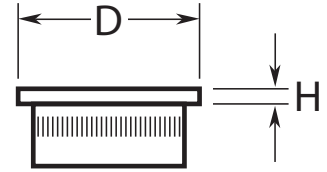
POLISHED STAINLESS STEEL 316

47-600/1H16	For 1-1/2" OD x 0.06" Wall Tubing	1-1/2" OD	1-1/2"	1/8"
47-600/216	For 2" OD x 0.06" Wall Tubing	2" OD	2"	1/8"

SATIN STAINLESS STEEL 316

49-600/1H16	For 1-1/2" OD x 0.06" Wall Tubing	1-1/2" OD	1-1/2"	1/8"
49-600/216	For 2" OD x 0.06" Wall Tubing	2" OD	2"	1/8"

600PF FLUSH END CAP PRESS FIT



Item #	Description	Tubing Size	D	H
POLISHED STAINLESS STEEL 316				
47-600PF/1H16	For 1-1/2" OD x 0.06" Wall Tubing	1-1/2" OD	1-1/2"	1/8"
47-600PF/424	For 1.67" OD x 0.08" Wall Tubing	1.67" OD	1.67"	1/8"
47-600PF/216	For 2" OD x 0.06" Wall Tubing	2" OD	2"	1/8"
SATIN STAINLESS STEEL 316				
49-600PF/1H16	For 1-1/2" OD x 0.06" Wall Tubing	1-1/2" OD	1-1/2"	1/8"
49-600PF/424	For 1.67" OD x 0.08" Wall Tubing	1.67" OD	1.67"	1/8"
49-600PF/216	For 2" OD x 0.06" Wall Tubing	2" OD	2"	1/8"

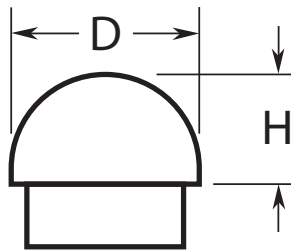
600PF FLUSH END CAP



600 FLUSH END CAP



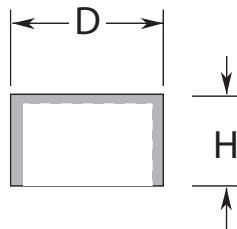
602 HALF BALL END CAP



Item #	Description	Tubing Size	D	H
POLISHED BRASS				
00-602/1	For 1" OD x 0.05" Wall Tubing	1" OD	1"	1-1/2"
00-602/1H	For 1-1/2" OD x 0.05" Wall Tubing	1-1/2" OD	1-1/2"	3/4"
00-602/2	For 2" OD x 0.05" Wall Tubing	2" OD	2"	1"
POLISHED STAINLESS STEEL 304				
40-602/1H	For 1-1/2" OD x 0.05" Wall Tubing	1-1/2" OD	1-1/2"	3/4"
40-602/2	For 2" OD x 0.05" Wall Tubing	2" OD	2"	1"
SATIN STAINLESS STEEL 304				
44-602/1H	For 1-1/2" OD x 0.05" Wall Tubing	1-1/2" OD	1-1/2"	3/4"
44-602/2	For 2" OD x 0.05" Wall Tubing	2" OD	2"	1"
POLISHED STAINLESS STEEL 316				
47-602/424	For 1.67" OD x 0.08" Wall Tubing	1.67" OD	1.67"	13/16"
SATIN STAINLESS STEEL 316				
49-602/424	For 1.67" OD x 0.08" Wall Tubing	1.67" OD	1.67"	13/16"

600W FLUSH END CAP FOR WOOD

Metal tube / wood fits inside end cap.

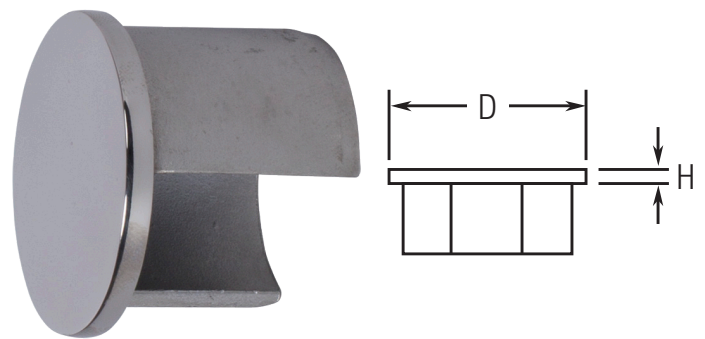


Item #	Description	Tubing Size	D	H
POLISHED BRASS				
00-600W/2	For 2" Round Wood	2" OD	2-1/8"	7/8"
POLISHED STAINLESS STEEL 304				
40-600W/2	For 2" Round Wood	2" OD	2-1/8"	7/8"
SATIN STAINLESS STEEL 304				
44-600W/2	For 2" Round Wood	2" OD	2-1/8"	7/8"

602 HALF BALL END CAP



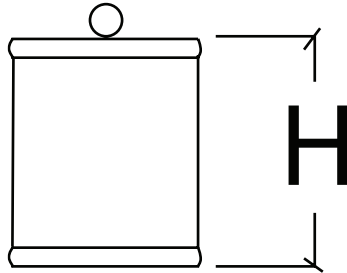
640 FLUSH END CAP CHANNEL TUBE



Item #	Description	Tubing Size	D	H
POLISHED BRASS				
00-640U/1H	For 1-1/2" OD x 0.06" Wall Tubing	1-1/2" OD	1-1/2"	1/8"
POLISHED STAINLESS STEEL 316				
47-640/424	For 1.67" OD x 0.06" Wall Channel Tubing	1.67" OD	1.67"	1/8"
SATIN STAINLESS STEEL 316				
49-640/424	For 1.67" OD x 0.06" Wall Channel Tubing	1.67" OD	1.67"	1/8"

612 FILIGREE END CAP

Tube fits inside the end cap.



Item #	Description	Tubing Size	H
POLISHED BRASS			
00-612/1	For 1" OD Tubing	1" OD	1-1/8"
00-612/1H	For 1-1/2" OD Tubing	1-1/2" OD	1-5/8"
00-612/2	For 2" OD Tubing	2" OD	2-1/16"

615 CARVED END CAP



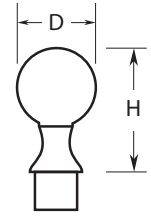
Item #	Description	Tubing Size
POLISHED BRASS		
00-615/2	Polished Brass Carved End Cap 2" OD	2" OD

616 DECORATIVE END CAP



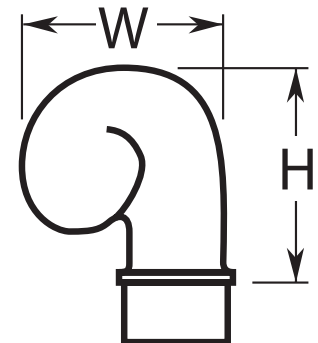
Item #	Description	Tubing Size
POLISHED BRASS		
00-616/1H	Polished Brass-1-1/2" Decorative End Cap	1.5" OD
00-616/2	Polished Brass Decorative End Cap 2" OD	2" OD

604-604B BALL FINIAL



Item #	Description	Tubing Size	D	H
POLISHED BRASS				
00-604/1	For 1" OD x 0.05" Wall Tubing	1" OD	1-1/2"	2"
00-604/1H	For 1-1/2" OD x 0.05" Wall Tubing	1-1/2" OD	2-5/8"	3-1/4"
00-604/2	For 2" OD x 0.05" Wall Tubing	2" OD	3-1/8"	4-1/2"
POLISHED STAINLESS STEEL 304				
40-604/1H	For 1-1/2" OD x 0.05" Wall Tubing	1-1/2" OD	2-5/8"	3-1/4"
40-604/2	For 2" OD x 0.05" Wall Tubing	2" OD	3-1/8"	4-1/2"
SATIN STAINLESS STEEL 304				
44-604/1H	For 1-1/2" OD x 0.05" Wall Tubing	1-1/2" OD	2-5/8"	3-1/4"
44-604/2	For 2" OD x 0.05" Wall Tubing	2" OD	3-1/8"	4-1/2"
POLISHED STAINLESS STEEL 316				
47-604/1H16	For 1-1/2" OD x 0.06" Wall Tubing	1-1/2" OD	2-3/4"	4-1/16"
47-604/424	For 1.67" OD x 0.08" Wall Tubing	1.67" OD	2-3/4"	4-1/16"
47-604/216	For 2" OD x 0.06" Wall Tubing	2" OD	4-9/16"	3-1/16"
SATIN STAINLESS STEEL 316				
49-604/1H16	For 1-1/2" OD x 0.06" Wall Tubing	1-1/2" OD	2-3/4"	4-1/16"
49-604/424	For 1.67" OD x 0.08" Wall Tubing	1.67" OD	2-3/4"	4-1/16"
49-604/216	For 2" OD x 0.06" Wall Tubing	2" OD	3-1/16"	4-9/16"

606 SCROLL FINIAL



Item #	Description	Tubing Size	H	W
POLISHED BRASS				
00-606/1H	For 1-1/2" OD x 0.05" Wall Tubing	1-1/2" OD	3-7/8"	2-3/4"
00-606/2	For 2" OD x 0.05" Wall Tubing	2" OD	2-1/2"	3-1/4"

604 BALL FINIALS

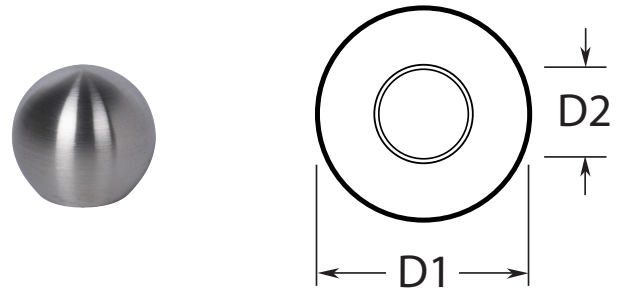


608 RADIUS WALL RETURN



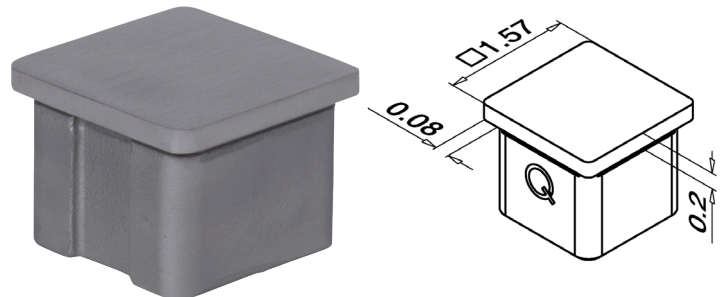
Item #	Description	Tubing Size	H	W
POLISHED BRASS				
00-608/1H	For 1-1/2" OD x 0.05" Wall Tubing	1-1/2" OD	2-3/4"	3"
00-608/2	For 2" OD x 0.05" Wall Tubing	2" OD	3-1/4"	3"
POLISHED STAINLESS STEEL 304				
40-608/1H	For 1-1/2" OD x 0.05" Wall Tubing	1-1/2" OD	2-1/2"	3"
40-608/2	For 2" OD x 0.05" Wall Tubing	2" OD	3-1/4"	3"
SATIN STAINLESS STEEL 304				
44-608/1H	For 1-1/2" OD x 0.05" Wall Tubing	1-1/2" OD	2-1/2"	3"
44-608/2	For 2" OD x 0.05" Wall Tubing	2" OD	3-1/4"	3"
POLISHED STAINLESS STEEL 316				
47-608/1H16	For 1-1/2" OD x 0.06" Wall Tubing	1-1/2" OD	3"	3"
47-608/424	For 1.67" OD x 0.08" Wall Tubing	1.67" OD	2-9/16"	2-9/16"
47-608/216	For 2" OD x 0.06" Wall Tubing	2" OD	3-3/4"	3-3/4"
SATIN STAINLESS STEEL 316				
49-608/1H16	For 1-1/2" OD x 0.06" Wall Tubing	1-1/2" OD	3"	3"
49-608/424	For 1.67" OD x 0.08" Wall Tubing	1.67" OD	2-9/16"	2-9/16"
49-608/216	For 2" OD x 0.06" Wall Tubing	2" OD	3-3/4"	3-3/4"

RCF101 CROSSBAR BALL FINIAL



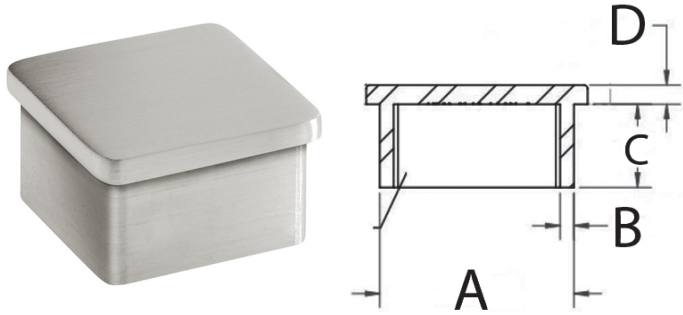
Item #	Description	Tubing Size	D1	D2
49-RCF101	For 0.47" OD Rod (12mm)	0.47" OD	.79"	.47"

4732 FLUSH END CAP FOR SQUARE



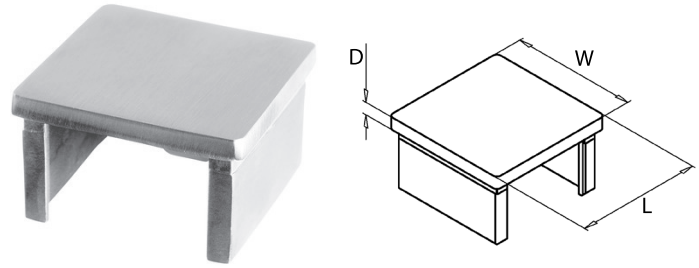
Item #	Description	Tubing Size
49-4732/40	For 1.57" (40mm) Square Tubing	1.57" x 1.57"

650 FLUSH END CAP FOR SQUARE



Item #	Description	Tubing Size	A	B	C	D
SATIN STAINLESS STEEL 316						
49-650/1H11	For 1-1/2" Square Tubing (0.12" Wall)	1-1/2" - 1-1/2"	1.25"	.12"	.75"	.17"
49-650/211	For 2" Square Tubing (0.12" Wall)	2" x 2"	1.75"	.12"	.75"	.17"
49-650/1H	For 1-1/2" Square Tubing (0.06" Wall)	1-1/2" - 1-1/2"	1.38"	.12"	.68"	.17"
49-650/40	For 1.57" Square Tubing (0.08" Wall)	1.57"x1.57"	1.41"	.08"	.75"	.17"

6732 FLUSH END CAP



Item #	Description	W	L	D
SATIN STAINLESS STEEL 304				
44-6732/6040	For 2.36" x 1.57" Channel Tubing	1.57"	2.36"	.16"
SATIN STAINLESS STEEL 316				
49-6732/6040	For 2.36" x 1.57" Channel Tubing	1.57"	2.36"	.16"

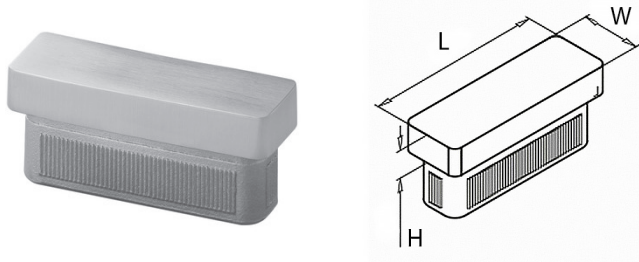
545CAP FLUSH END CAP

Cap that inserts on the top of Floor Socket 545.



Item #	Description
POLISHED BRASS	
00-545/2CAP	For floor socket 544 and 545
POLISHED STAINLESS STEEL 304	
40-545/2CAP	For floor socket 544 and 545
SATIN STAINLESS STEEL 304	
44-545/2CAP	For floor socket 544 and 545

RL5727 FLUSH END CAP



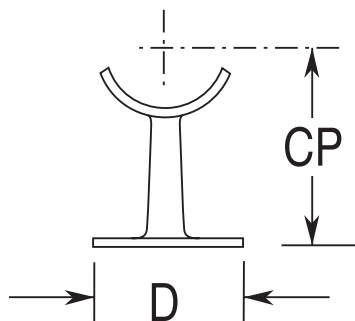
Item #	Description	Tubing Size	L	W	H
SATIN STAINLESS STEEL 316					
49-RL5727/6020	For 2.36" x 0.78" (60x20x2.0mm) Tubing	2.36" x 0.78"	2.36"	1.18"	.39"
49-RL5728/6030	For 2.36" x 1.18" (60x30x2.6mm) Tubing	2.36" x 1.18"	2.36"	1.18"	.39"

SADDLES & CONNECTORS

Our saddle and connector hardware is manufactured with top quality materials and designed with a decorative flair that perfectly complements your railings. Saddles and connectors bear more stress than other parts in a railing system and their choice demands no compromise in quality. That's why you can bank on the strength and corrosion resistance of our architectural finish products. Materials designed to last - brass and stainless steel with superior polished/brushed finishes. Self-drilling, self-tapping hardware included if necessary - or use Lido Weld for flush fittings.

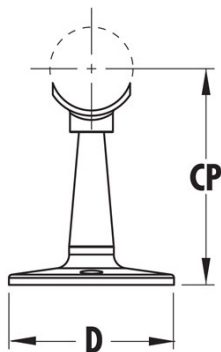
341 SHORT SADDLE POST

Includes mounting hardware.



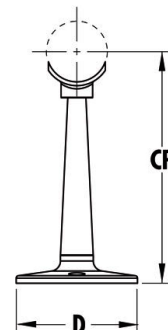
Item #	Description	Tubing Size	CP	D
POLISHED BRASS				
00-341/1H	Saddle for 1-1/2" Tubing	1-1/2" OD	2-1/2"	2-1/4"

348 SHORT SADDLE POST



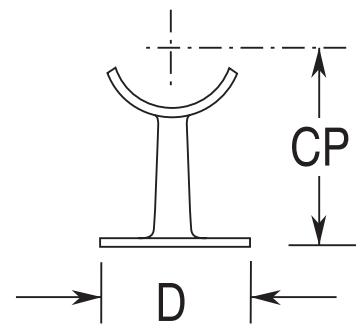
Item #	Description	Tubing Size	CP	D
SATIN STAINLESS STEEL 316				
49-348/1H	Saddle for 1-1/2" Tubing	1-1/2" OD	3-7/8"	3"
49-348/2	Saddle for 2" Tubing	2" OD	4-1/8"	3"

348L TALL SADDLE POST



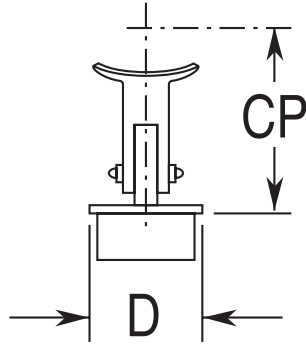
Item #	Description	Tubing Size	CP	D
SATIN STAINLESS STEEL 316				
49-348L/1H	Saddle for 1-1/2" Tubing	1-1/2" OD	6"	3"
49-348L/2	Saddle for 2" Tubing	2" OD	6-1/4"	3"

882 TALL SADDLE POST



Item #	Description	Tubing Size	CP	D
POLISHED BRASS				
00-882/2	Saddle for 2" Tubing	2" OD	7"	2-7/8"

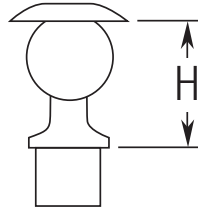
820 ADJUSTABLE SADDLE



Item #	Description	Tubing Size	CP	D
POLISHED BRASS				
00-820/1H	For 1-1/2" OD x 0.05" Wall Tubing	1-1/2" OD	1.97"	1.5"
00-820/2	For 2" OD x 0.05" Wall Tubing	2" OD	2.3"	2"

821 ADJUSTABLE BALL SADDLE

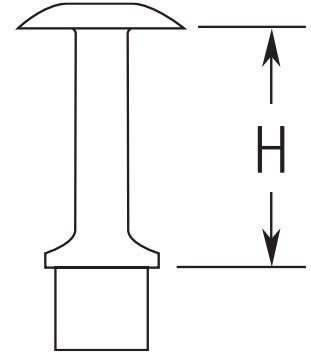
Self-tapping screws (2) included.



Item #	Description	Tubing Size	Wall	H
POLISHED BRASS				
00-821/2	For 2" x 0.05" Wall Tubing	2" OD	0.05"	2-1/8"
POLISHED STAINLESS STEEL 304				
40-821/1H	For 1-1/2" x 0.05" Wall Tubing	1-1/2" OD	0.05"	1-3/4"
40-821/2	For 2" x 0.05" Wall Tubing	2" OD	0.05"	2-1/8"
SATIN STAINLESS STEEL 304				
44-821/1H	For 1-1/2" x 0.05" Tubing	1-1/2" OD	0.05"	1-3/4"
44-821/2	For 2" x 0.05" Tubing	2" OD	0.05"	2-1/8"
POLISHED STAINLESS STEEL 316				
47-821/424	For 1.67" (42.4mm) x 0.08" Wall Tubing	1.67" OD	0.08"	2-1/2"
SATIN STAINLESS STEEL 316				
49-821/1H16	For 1-1/2" x 0.06" Wall Tubing	1-1/2" OD	0.06"	1-3/4"
49-821/424	For 1.67" (42.4mm) x 0.08" Tubing	1.67" OD	0.08"	2-3/8"

352 SHORT HANDRAIL SADDLE

Handrail mounting screws QS-113 sold separately.



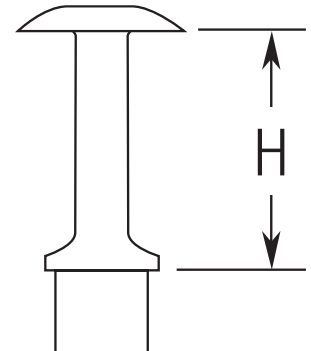
Item #	Description	Tubing Size	Wall	H
SATIN STAINLESS STEEL 316				
49-352/424	Saddle for 1.67" (42.4mm) Tubing	1.67" OD	0.08"	2"

352F POST-HANDRAIL BRACKET SHORT - FLAT

Item #	Description	Tubing Size
SATIN STAINLESS STEEL 316		
49-352F/424	Satin (Brushed) 316 Stainless Steel Perpendicular Short Bracket 1.67" Tubing - Flat Top Saddle	1.67" OD (0.08" Wall)

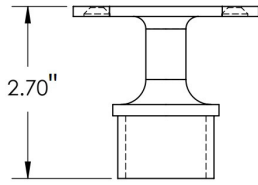
352A SHORT ADJUSTABLE SADDLE

Handrail mounting screws QS-113 sold separately.



Item #	Description	Tubing Size	Wall	H
SATIN STAINLESS STEEL 316				
49-352A/424	(49-352A/424) Saddle for 1.67" (42.4mm) Tubing	1.67" OD	0.08"	2"

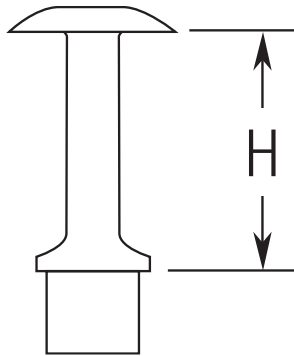
352AF SHORT ADJUSTABLE FLAT SADDLE



Item #	Description	Tubing Size	Wall
SATIN STAINLESS STEEL 316			
49-352AF/424	Saddle for 1.67" (42.4mm) Tubing	1.67" OD	0.08"

352L SHORT CORNER SADDLE

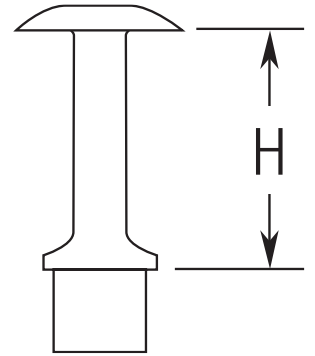
49-732/424 flush ell fits on top of this saddle - enabling a 90 degree turn for handrail 49-A114.



Item #	Description	Tubing Size	Wall	H
SATIN STAINLESS STEEL 316				
49-352L/424	Saddle for 1.67" (42.4mm) Tubing	1.67" OD	0.08"	2"

350 TALL HANDRAIL SADDLE

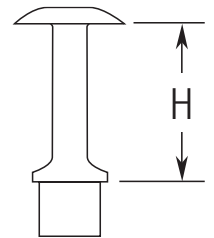
Handrail mounting screws QS-113 sold separately.



Item #	Description	Tubing Size	Wall	H
SATIN STAINLESS STEEL 316				
49-350/424	Saddle for 1.67" (42.4mm) Tubing	1.67" OD	0.08"	3"
49-350/216	Saddle for 2" Tubing	2" OD	0.06"	3"

350A TALL ADJUSTABLE SADDLE

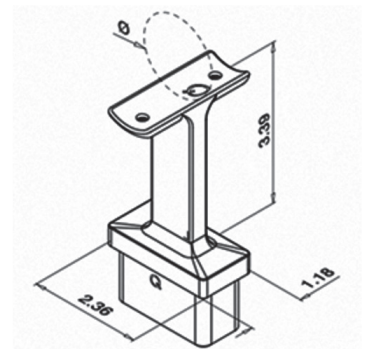
Handrail mounting screws QS-113 sold separately.



Item #	Description	Tubing Size	Wall	H
SATIN STAINLESS STEEL 316				
49-350A/424	Saddle for 1.67" (42.4mm) Tubing	1.67" OD	0.08"	3"
49-350A/216	Saddle for 2" Tubing	2" OD	0.06"	3"

RL4711R TALL HANDRAIL SADDLE

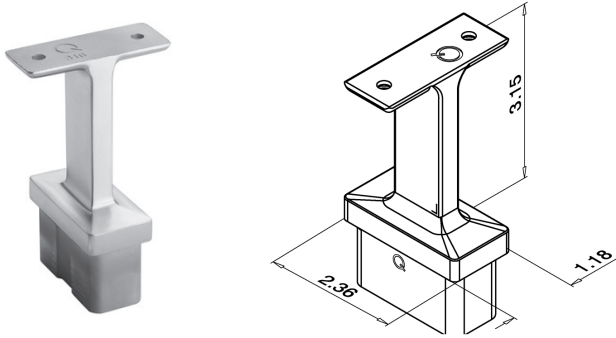
Fixed Saddle. For rectangular posts to round handrail.



Item #	Description	Tubing Size	Wall
SATIN STAINLESS STEEL 316			
49-RL4711R/6030	For 2.36" x 1.18" (60x30x2.6mm) Posts and 1.5" Handrail	2.36" x 1.18"	0.10"

RL4711F SDL RECTANGULAR TUBE

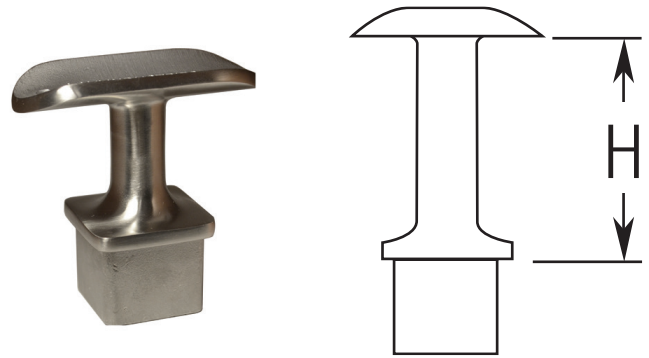
Fixed Saddle. For rectangular posts with flat handrail.



Item #	Description	Tubing Size
SATIN STAINLESS STEEL 316		
49-RL4711F/6030	For 2.36" x 1.18" (60x30x2.6mm) Tubing	2.36" x 1.18"

352SQ SADDLE FOR SQ & ROUND

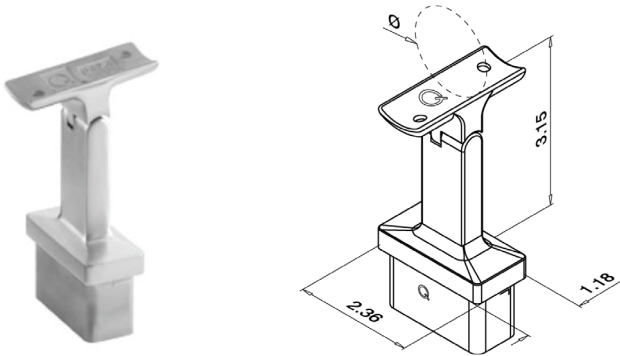
For square posts and round handrail.



Item #	Description	Tubing Size	Wall	H
SATIN STAINLESS STEEL 316				
49-352SQ/2	For 2" Post and 1-1/2" Handrail	2" x 2"	0.12"	1.719"
49-352SQ/1H	For 1-1/2" Post and Handrail	1-1/2" x 1-1/2"	0.12"	1.719"
49-352SQ/40	For 1.57" Post and Handrail	1.57" x 1.57"	0.12"	1.719"

RL4719R TALL HANDRAIL SADDLE

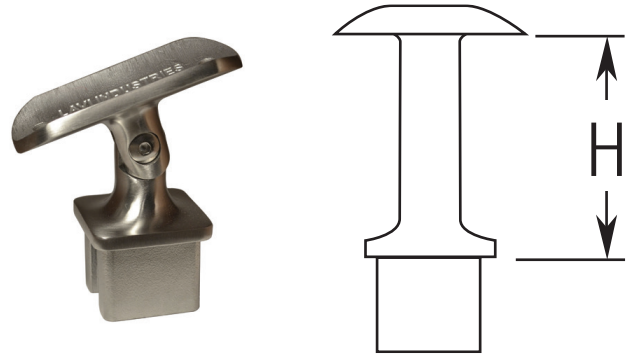
Adjustable saddle. For rectangular posts to round handrail.



Item #	Description	Tubing Size	Wall
SATIN STAINLESS STEEL 316			
49-RL4719R/6030	For 2.36" x 1.18" Posts and 1.5" Handrail	2.36" x 1.18"	0.10"

352ASQ SADDLE FOR SQ & ROUND

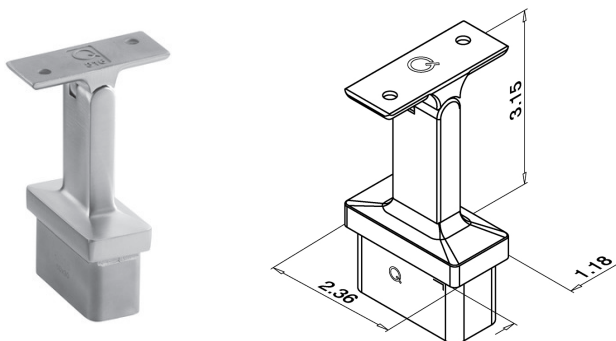
For square posts and round handrail.



Item #	Description	Tubing Size	Wall	H
SATIN STAINLESS STEEL 316				
49-352ASQ/2	For 2" Post and 1-1/2" Handrail	2" x 2"	0.12"	1.719"
49-352ASQ/1H	For 1-1/2" Post and Handrail	1-1/2" x 1-1/2"	0.12"	1.719"
49-352ASQ/40	For 1.57" Post and Handrail	1.57" x 1.57"	0.12"	1.719"

RL4719F TALL HANDRAIL SADDLE

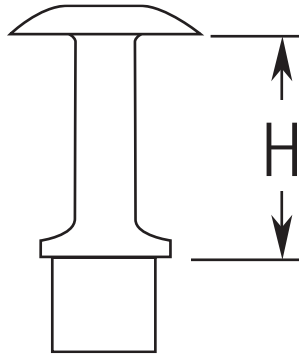
Adjustable Saddle. For rectangular posts and flat handrail.



Item #	Description	Tubing Size	Wall
SATIN STAINLESS STEEL 316			
49-RL4719F/6030	For Rectangular Post to Flat Handrail	2.36" x 1.18"	0.10"

352SQF SADDLE FOR SQUARE TUBE

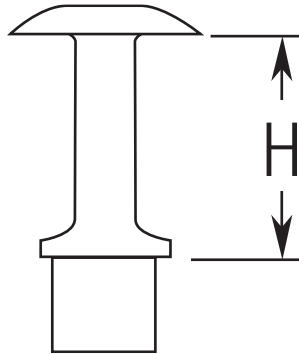
For square posts and flat handrail.



Item #	Description	Tubing Size	Wall	H
SATIN STAINLESS STEEL 316				
49-352SQF/2	For 2" x 0.12" Wall	2" x 2"	0.12"	1.719"
49-352SQF/1H	For 1-1/2" x 0.12" Wall	1-1/2" x 1-1/2"	0.12"	1.719"
49-352SQF/40	For 1.57" x 0.12" Wall	1.57" x 1.57"	0.12"	1.719"

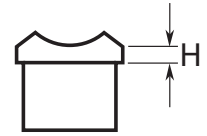
352ASQF ADJ SADDLE FOR SQUARE

For square posts and flat handrail.



Item #	Description	Tubing Size	Wall	H
SATIN STAINLESS STEEL 316				
49-352ASQF/2	For 2" x 0.12" Wall	2" x 2"	0.12"	1.719"
49-352ASQF/1H	For 1-1/2" x 0.12" Wall	1-1/2" x 1-1/2"	0.12"	1.719"
49-352ASQF/40	For 1.57" x 0.12" Wall	1.57" x 1.57"	0.12"	1.719"

818 PERPENDICULAR COLLAR



Item #	Description	Tubing Size	H
POLISHED BRASS			
00-818/1	For 1" OD x 0.05" Wall Tubing	1" OD	1/4"
00-818/1H	For 1-1/2" OD x 0.05" Wall Tubing	1-1/2" OD	1-15/16"
00-818/2	For 2" OD x 0.05" Wall Tubing	2" OD	1/4"

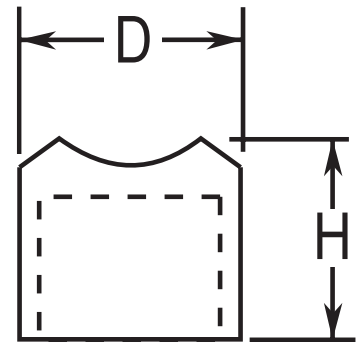
POLISHED STAINLESS STEEL 304			
40-818/1	For 1" OD x 0.05" Wall Tubing	1" OD	1/4"
40-818/1H	For 1-1/2" OD x 0.05" Wall Tubing	1-1/2" OD	1-15/16"
40-818/2	For 2" OD x 0.05" Wall Tubing	2" OD	1/4"

SATIN STAINLESS STEEL 304			
44-818/1	For 1" OD x 0.05" Wall Tubing	1" OD	1/4"
44-818/1H	For 1-1/2" OD x 0.05" Wall Tubing	1-1/2" OD	1-15/16"
44-818/2	For 2" OD x 0.05" Wall Tubing	2" OD	1/4"

POLISHED STAINLESS STEEL 316			
47-818/1H16	For 1-1/2" OD x 0.06" Wall Tubing	1-1/2" OD	1/4"
47-818/424	For 1.67" OD (42.4mm) x 0.08" Wall Tubing	1.67" OD	1/4"
47-818/216	For 2" OD x 0.06" Wall Tubing	2" OD	1/4"

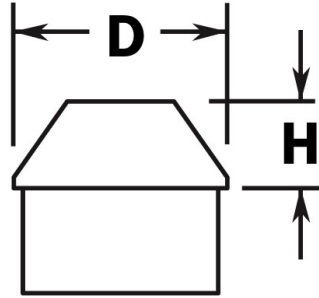
SATIN STAINLESS STEEL 316			
49-818/1H16	For 1-1/2" OD x 0.06" Wall Tubing	1-1/2" OD	1/4"
49-818/424	For 1.67" OD (42.4mm) x 0.08" Wall Tubing	1.67" OD	1/4"
49-818/216	For 2" OD x 0.06" Wall Tubing	2" OD	1/4"

819 OUTER PERPENDICULAR COLLAR



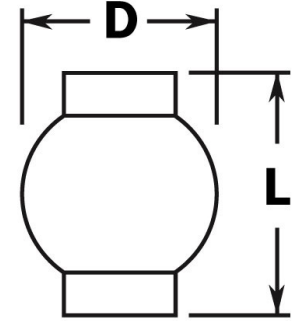
Item #	Description	Tubing Size	D	H
POLISHED BRASS				
00-181A/1H	For 1-1/2" OD Tubing	1-1/2" OD	1-11/16"	1-1/2"
00-819/2	For 2" OD Tubing	2" OD	2-3/16"	1-3/4"

801 ANGLE COLLAR



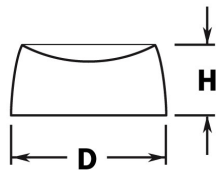
Item #	Description	Tubing Size	D	H
POLISHED BRASS				
00-801/2	For 2" Ball Fitting	2" OD	2"	7/8"

701 BALL PARALLEL OUTLET



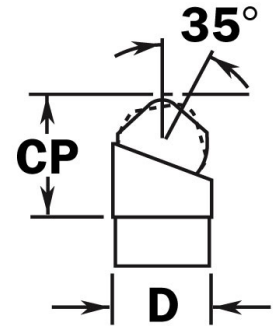
Item #	Description	Tubing Size	D	L
POLISHED BRASS				
00-701/1H	For 1-1/2" OD Tubing	1-1/2" OD	2-1/2"	2-7/8"
00-701/2	For 2" OD Tubing	2" OD	3-1/4"	3-3/8"
SATIN STAINLESS STEEL 304				
44-701/2	For 2" OD Tubing	2" OD	3-1/4"	3-3/8"

800 ANGLE COLLAR



Item #	Description	Tubing Size	D	H
POLISHED BRASS				
00-800/1H	For 1-1/2" Ball Fitting	1-1/2" OD	1-3/4"	15/16"
00-800/2	For 2" Ball Fitting	2" OD	2-3/16"	1"
POLISHED STAINLESS STEEL 304				
40-800/1H	For 1-1/2" Ball Fitting	1-1/2" OD	1-3/4"	15/16"
40-800/2	For 2" Ball Fitting	2" OD	2-3/16"	1"
SATIN STAINLESS STEEL 304				
44-800/1H	For 1-1/2" Ball Fitting	1-1/2" OD	1-3/4"	15/16"
44-800/2	For 2" Ball Fitting	2" OD	1-3/4"	15/16"

822 ADJUSTABLE TEE



Item #	Description	Tubing Size	CP	D
POLISHED BRASS				
00-822/2	For 2" OD x 0.05" Wall Tubing	2" OD	3"	2"



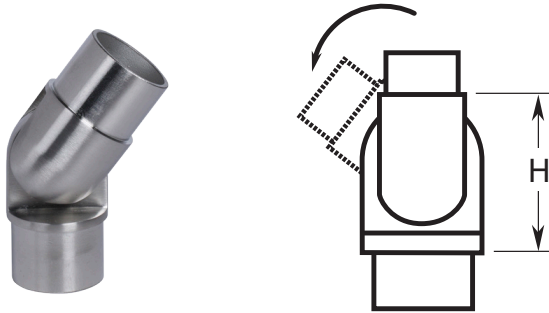
732A ADJUSTABLE FLUSH ELBOW
352A SHORT ADJUSTABLE SADDLES
602 HALF BALL END CAP

COMPONENTS

Saddles & Connectors



732A ADJUSTABLE FLUSH ELL



Item #	Description	Tubing Size	H
POLISHED BRASS			
00-732A/2	For 2" OD x 0.05" Wall Tubing	2" OD	2-1/4"
SATIN STAINLESS STEEL 304			
44-732A/1H	For 1-1/2" OD x 0.05" Wall Tubing	1-1/2" OD	1-3/4"
POLISHED STAINLESS STEEL 316			
47-732A/1H16	For 1-1/2" OD x 0.06" Wall Tubing	1-1/2" OD	1-3/4"
47-732A/424	For 1.67" OD (42.4mm) x 0.08" Wall Tubing	1.67" OD	2-1/8"
47-732A/216	For 2" OD x 0.06" Wall Tubing	2" OD	2-1/4"
SATIN STAINLESS STEEL 316			
49-732A/1H16	For 1-1/2" OD x 0.06" Wall Tubing	1-1/2" OD	1-3/4"
49-732A/424	For 1.67" OD (42.4mm) x 0.08" Wall Tubing	1.67" OD	2-1/8"
49-732A/216	For 2" OD x 0.06" Wall Tubing	2" OD	2-1/4"

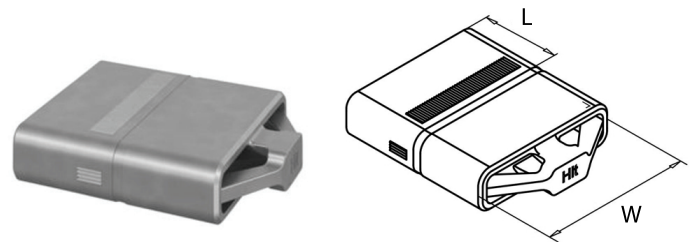
830 INTERNAL SPLICE FOR TUBING

Use to connect the ends of two separate round tubes.



Item #	Description	Tubing Size	Wall	W
POLISHED BRASS				
00-830/1	For Tube 1" x 0.05"	1" OD	0.05"	N/A
00-830/1.3125	For Tube 1-5/16" OD x 0.05"	1-5/16" OD	0.05"	N/A
00-830/1H	For Tube 1-1/2" x 0.05"	1-1/2" OD	0.05"	N/A
00-830/2	For Tube 2" x 0.05"	2" OD	0.05"	N/A
POLISHED STAINLESS STEEL 316				
47-830/1H16	For Tube 1-1/2" x 0.06"	1-1/2" OD	0.06"	0.20"
47-830/424	For Tube 1.67" (42.4mm) x 0.08"	1.67" OD	0.08"	0.16"
47-830/216	(47-830/216) For Tube 2" x 0.06"	2" OD	0.06"	0.20"
SATIN STAINLESS STEEL 316				
49-830/1H16	(49-830/1H16) For Tube 1-1/2" x 0.06"	1-1/2" OD	0.06"	0.20"
49-830/424	For Tube 1.67" (42.4mm) x 0.08"	1.67" OD	0.08"	0.16"
49-830/216	For Tube 2" x 0.06"	2" OD	0.06"	0.20"

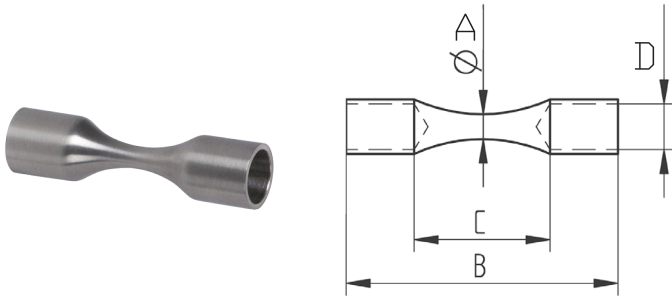
RL5792 SPLICE RECTANGULAR TUBE



Item #	Description	Tubing Size	W	L
SATIN STAINLESS STEEL 316				
49-RL5792/6020	For 2.36" x 0.78" (60x20x2.0mm) Tubing	2.36" x 0.78"	2.2"	1.18"

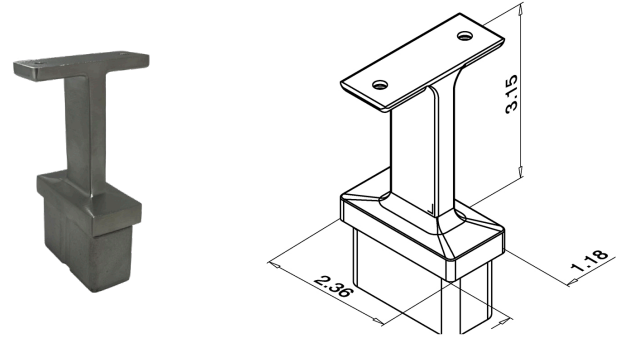
RC103 EXTERNAL CROSSBAR SPLICE

Use to connect the ends of two separate round rods item R038.



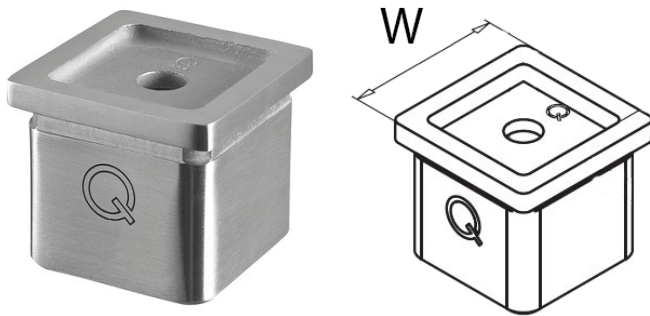
Item #	Description	Tubing Size	A	B	C	D
SATIN STAINLESS STEEL 316						
49-RC103	For 0.47" OD Rod (12mm)	0.47" OD	.21"	2.34"	1.18"	.47"

352RLF RECTANGULAR LINE FIXED SADDLE



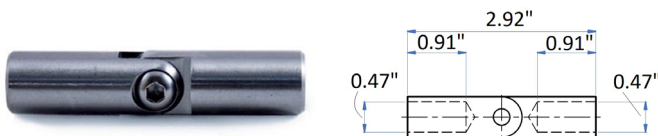
Item #	Description	Tubing Size
SATIN STAINLESS STEEL 316		
49-352RLF/6030	For 2.36"x1.18" Posts and Flat Handrail	2.36"x1.18"

SL4727 END CAP FOR SQUARE



Item #	Description	Tubing Size	Wall	W
SATIN STAINLESS STEEL 304				
44-4727/40	For 1.57" (40mm) Square Tubing	1.57" x 1.57"	0.08"	1.57"

RC105 EXTERNAL CROSSBAR ADJUSTABLE CONNECTOR

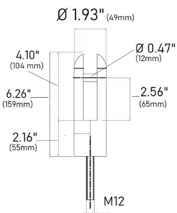
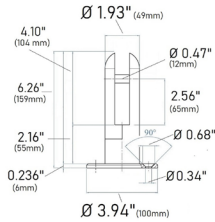


Item #	Description	Tubing Size
SATIN STAINLESS STEEL 316		
49-RC105	For 0.47" OD (12mm) Rod	0.47" OD

GLASS CLIPS

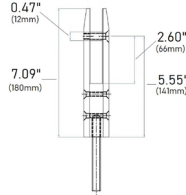
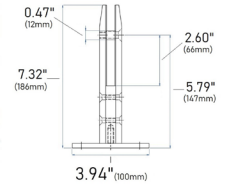
Glass clips, clamps and holders are critical for keeping infills solid and sturdy within a railing assembly, a sneeze guard or a booth divider. When holding glass or acrylic, they allow for a clear, unfettered view and a modern, innovative look. They can also hold panels or lightweight shelves made of metal or wood in a variety of thicknesses including 1/4", 3/8", and 1/2". Our clips are solidly designed, made with high grade alloys, are versatile, strong and attractive - they will provide stability, prevent slippage, and preserve the look of your panels for a very long time.

E2R ROUND FLOOR GLASS CLAMP



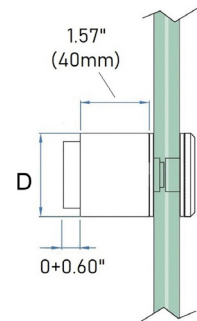
Item #	Description	Mounting Condition
SATIN STAINLESS STEEL 304		
E2000100	For Glass Thickness 1/2-11/16"	Core Drill
E2000500	For Glass Thickness 1/2-11/16"	Floor Mount
SATIN STAINLESS STEEL 316		
E2000200	For Glass Thickness 1/2-11/16"	Core Drill
E2000600	For Glass Thickness 1/2-11/16"	Floor Mount

E2S SQUARE FLOOR GLASS CLAMP



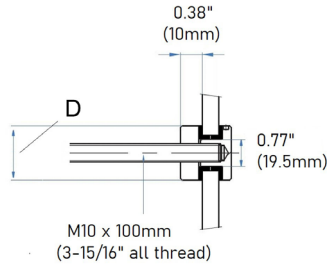
Item #	Description	Mounting Condition
SATIN STAINLESS STEEL 304		
E2100100	For Glass Thickness 1/2-11/16"	Core Drill
E2100500	For Glass Thickness 1/2-11/16"	Floor Mount
SATIN STAINLESS STEEL 316		
E2100200	For Glass Thickness 1/2-11/16"	Core Drill
E2100600	For Glass Thickness 1/2-11/16"	Floor Mount

E64 GLASS STANDOFF ADJUSTABLE ROUND



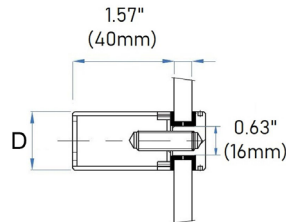
Item #	Description	D
SATIN STAINLESS STEEL 304		
E620080	For Glass Thickness 21/32-27/32"	2"
E620085	For Glass Thickness 7/8-1"	2-3/8"
E620075	For Glass Thickness 1/2-19/32"	1.57"
SATIN STAINLESS STEEL 316		
E640075	For Glass Thickness 1/2-19/32"	1.57"
E640080	For Glass Thickness 21/32-27/32"	2"
E640085	For Glass Thickness 7/8-1"	2-3/8"

E40-9 GLASS STANDOFF ROUND - 0.38" DEPTH



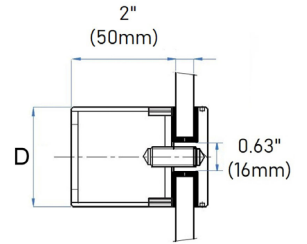
Item #	Description	D
SATIN STAINLESS STEEL 304		
E40930304	For Glass Thickness 5/16-11/16"	1-3/16"
E40940304	For Glass Thickness 5/16-11/16"	2"
SATIN STAINLESS STEEL 316		
E40930	For Glass Thickness 5/16-11/16"	1-3/16"
E40940	For Glass Thickness 5/16-11/16"	2"
E40960	For Glass Thickness 5/16-11/16"	2-3/8"

E40-40 GLASS STANDOFF ROUND - 1.57" DEPTH



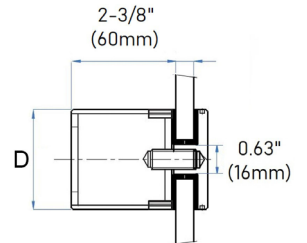
Item #	Description	D
SATIN STAINLESS STEEL 316		
E40900	For Glass Thickness 5/16-11/16"	1-3/16"
E40910	For Glass Thickness 5/16-11/16"	2"
E40920	For Glass Thickness 5/16-11/16"	2-3/8"

E40-50 GLASS STANDOFF ROUND - 2" DEPTH



Item #	Description	D
SATIN STAINLESS STEEL 316		
E40911	For Glass Thickness 5/16-11/16"	2"
E40921	For Glass Thickness 5/16-11/16"	2-3/8"

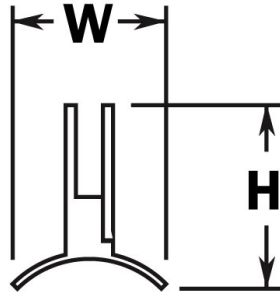
E40-60 GLASS STANDOFF ROUND - 2-3/8" DEPTH



Item #	Description	D
SATIN STAINLESS STEEL 316		
E40912	For Glass Thickness 5/16-11/16"	2"
E40922	For Glass Thickness 5/16-11/16"	2-3/8"

812 CLIP FOR 1/4" GLASS

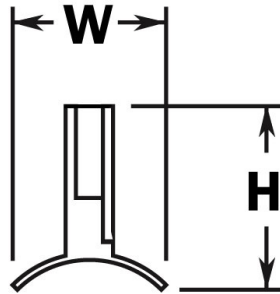
Solid brass, no insert. Fix glass in place with silicone.



Item #	Description	Tubing Size	W	H
POLISHED BRASS				
00-812/1H	Mount on 1-1/2" OD Tubing	1-1/2" OD	1-1/2"	1-1/2"
00-812/2	Mount on 2" OD Tubing	2" OD	1-1/2"	1-1/2"

812S CLIP W/STOPPER 1/4" GLASS

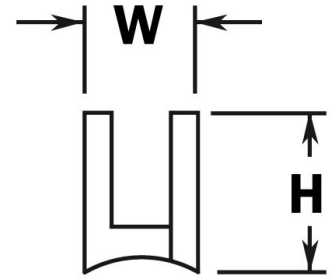
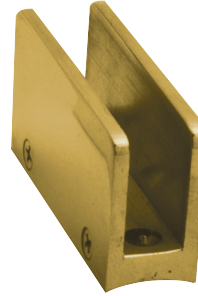
Solid brass, no insert. Fix glass in place with silicone.



Item #	Description	Position	Tubing Size	W	H
POLISHED BRASS					
00-812/1HSL	Mount on 1-1/2" OD Tubing	Left	1-1/2" OD	1-1/2"	1-3/4"
00-812/2SL	Mount on 2" OD Tubing	Left	2" OD	1-3/8"	1-3/16"
00-812/1HSR	Mount on 1-1/2" OD Tubing	Right	1-1/2" OD	1-1/2"	1-3/4"
00-812/2SR	Mount on 2" OD Tubing	Right	2" OD	1-3/8"	1-3/16"

813/03 CLIP FOR 3/8" GLASS

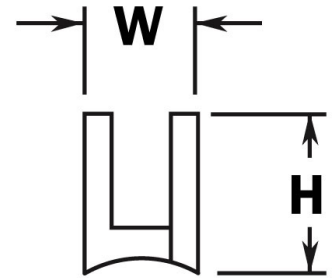
Solid brass, no insert. Fix glass in place with silicone.



Item #	Description	Tubing Size	W	H
POLISHED BRASS				
00-813/03	Mount on 2" OD Tubing	2" OD	13/16"	1-3/8"

813/03S CLIP W/STOPPER 3/8" GLASS

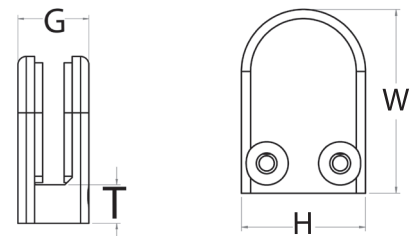
Solid brass, no insert. Fix glass in place with silicone.



Item #	Description	Tubing Size	Position	W	H
POLISHED BRASS					
00-813/03SL	Mount on 2" OD Tubing	2" OD	Left	11/16"	1-3/8"
00-813/03SR	Mount on 2" OD Tubing	2" OD	Right	11/16"	1-3/8"

816FM SMALL GRIP FOR 1/4" GLASS

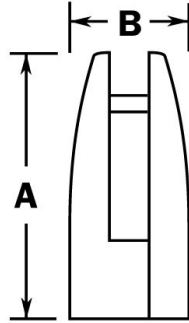
Rubber insert included.



Item #	Description	Width	W	H	T	G
POLISHED STAINLESS STEEL 304						
40-816FM	(40-816FM) Mount on Flat Surface	1"	1.57"	1.06"	.36"	.67"
SATIN STAINLESS STEEL 304						
44-816FM	(44-816FM) Mount on Flat Surface	1"	1.57"	1.06"	.36"	.67"

816F RADIUS GRIP 1/4-3/8" GLASS

Rubber insert included.



Item #	Description	A	B
POLISHED STAINLESS STEEL 304			
40-816F	Mount on Flat Surface	2-1/4"	15/16"
SATIN STAINLESS STEEL 304			
44-816F	Mount on Flat Surface	2-1/4"	15/16"

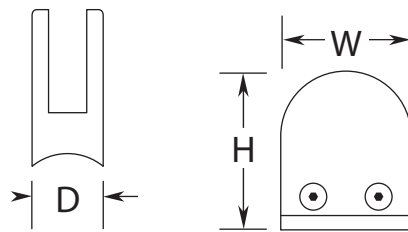
813 SQUARE GRIP 1/2" GLASS

Rubber insert included.

Item #	Description	Tubing Size	W	H
SATIN STAINLESS STEEL 304				
44-813/2	Mount on 2" OD Tubing	2" OD	2-15/16"	1-5/16"

85R RADIUS GRIPS

Use with GGI10 rubber insert doe radius glass grip.



Item #	Description	Glass Thickness	Shape	Tubing Size	W	H	D
SATIN STAINLESS STEEL 316							
49-851R/1H	Mount on 1-1/2" OD Tubing	1/4" or 3/8"	Medium Grips	1-1/2" OD	1.7"	2.32"	1.02"
49-851R/F	Mount on Flat Surface	1/4" or 3/8"	Medium Grips	1-9/16" Sq	1-11/16"	2-1/3"	1"
49-860R/2	Mount on 2" OD Tubing	3/8" or 1/2"	Large Grips	2" OD	2-3/16"	2-5/8"	2"
49-860R/F	Mount on Flat Surface	3/8" or 1/2"	Large Grips	1-9/16" Sq	2-1/8"	2-5/8"	1-1/3"
49-852R/424	Mount on 1.67" OD Tubing	Extra Large Grips	1/2"	1.67" OD	1-11/16"	2-1/3"	1"

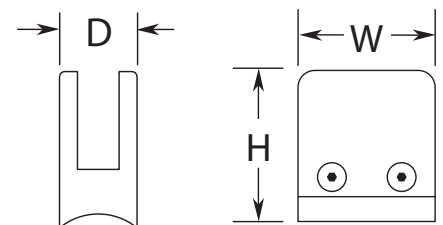
GGI10 INSERT RADIUS GLASS GRIP

Use as inserts for 85R style radius glass grips.



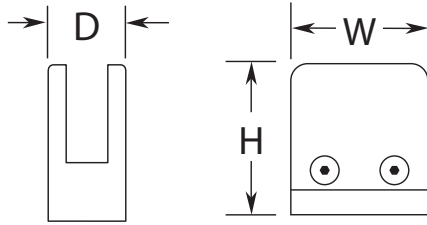
Item #	Description	Shape	Glass Thickness
RUBBER			
85-GGI1007	For Small Grip and 1/4" Glass	1/4"	Small Grips
85-GGI1009	For Medium Grip and 1/4" Glass	1/4"	Medium Grips
85-GGI1008	For Small Grip and 3/8" Glass	3/8"	Small Grips
85-GGI1010	For Medium Grip and 3/8" Glass	3/8"	Medium Grips
85-GGI1013	For Large Grip and 3/8" Glass	3/8"	Large Grips
85-GGI1011	For Large Grip and 1/2" Glass	1/2"	Large Grips
85-GGI1015	For Extra Large Grip and 1/2" Glass	1/2"	Extra Large Grips

850S SQUARE GRIP 1/4" AND 3/8" GLASS



Item #	Description	Tubing Size	W	H	D
POLISHED STAINLESS STEEL 316					
47-850S/1H	1.7" Square - Tube Mount	1.5" OD (0.05" Wall)	1.7"	1.7"	.94"
SATIN STAINLESS STEEL 316					
49-850S/1H	1.7" Square - Tube Mount	1.5" OD (0.05" Wall)	1.7"	1.7"	.94"

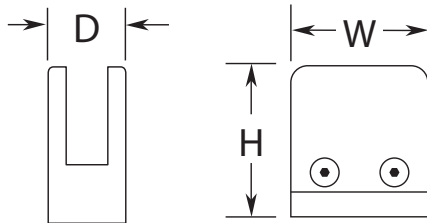
850S/F SQUARE GRIP 1/4" AND 3/8" GLASS



Item #	Description	W	H	D
POLISHED STAINLESS STEEL 316				
47-850S/F	1.7" Square - Flat Mount	1.7"	1.7"	.94"
SATIN STAINLESS STEEL 316				
49-850S/F	1.7" Square - Flat Mount	1.7"	1.7"	.94"

860S/F SQUARE GLASS GRIP

Order rubber insert separately. 85-GGI1005 for 3/8" glass and 85-GGI1006 for 1/2" glass.



Item #	Description	W	H	D
POLISHED STAINLESS STEEL 316				
47-860S/F	2.17" Square - Flat Mount	2.17"	2.17"	1.25"
SATIN STAINLESS STEEL 316				
49-860S/F	2.17" Square - Flat Mount	2.17"	2.17"	1.25"

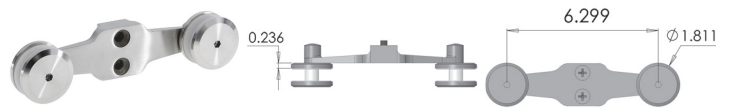
GGIS INSERT SQUARE GLASS GRIP



Item #	Description	Glass Thickness	Shape
RUBBER			
85-GGI1003	For Small Grip and 1/4" Glass	1/4"	Small Grips
85-GGI1004	For Small Grip and 3/8" Glass	3/8"	Small Grips
85-GGI1005	For Large Grip and 3/8" Glass	3/8"	Large Grips
85-GGI1006	For Large Grip and 1/2" Glass	1/2"	Large Grips

876C GLASS SPIDER - DOUBLE

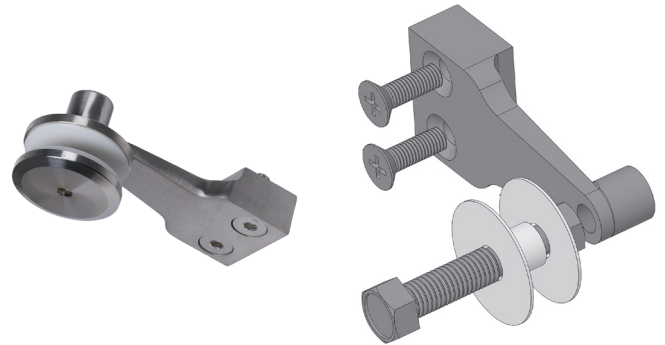
Mount on to square or rectangular tube.



Item #	Description	Glass Thickness
SATIN STAINLESS STEEL 316		
49-876C/F/3	For Glass Thickness 1/2-3/4"	1/2" or 3/4"

876E GLASS SPIDER - SINGLE

Mount on to square or rectangular tube.



Item #	Description	Glass Thickness
SATIN STAINLESS STEEL 316		
49-876E/F/3	For Glass Thickness 1/2-3/4"	1/2" or 3/4"



860S/F GLASS CLIP

FLUSH FITTINGS

Flush fittings allow for a smooth transition from tube to tube creating a sleek, continuous and modern look. These fittings feature 1" long necks that insert into the tube making for added strength and greater adhesive coverage. These brass and stainless steel fittings do not require screws or welding upon installation. Simply attach tube to fitting with our high strength Lido Weld adhesive cement.

731 FLUSH RADIUS ELL



Item #	Description	Tubing Size	L	W
--------	-------------	-------------	---	---

POLISHED BRASS				
00-731/1	For 1" OD x 0.05" Wall Tubing	1" OD	1-1/2"	1-1/2"
00-731/1H	For 1-1/2" OD x 0.05" Wall Tubing	1-1/2" OD	2-7/8"	2-7/8"
00-731/2	For 2" OD X 0.05" Wall Tubing	2" OD	3"	3"

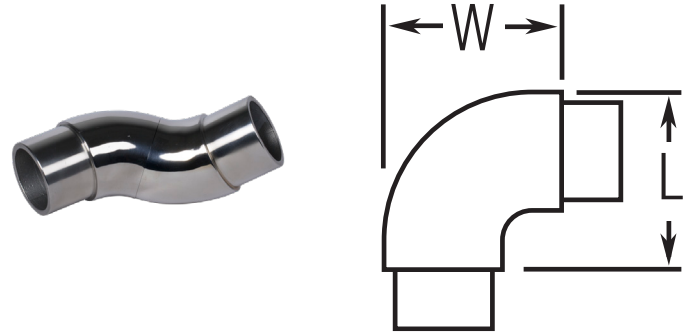
POLISHED STAINLESS STEEL 304				
40-731/1	For 1" OD x 0.05" Wall Tubing	1" OD	1-1/2"	1-1/2"
40-731/1H	For 1-1/2" OD x 0.05" Wall Tubing	1-1/2" OD	2-7/8"	2-7/8"
40-731/2	For 2" OD X 0.05" Wall Tubing	2" OD	3"	3"

SATIN STAINLESS STEEL 304				
44-731/1	For 1" OD x 0.05" Wall Tubing	1" OD	1-1/2"	1-1/2"
44-731/1H	For 1-1/2" OD x 0.05" Wall Tubing	1-1/2" OD	2-7/8"	2-7/8"
44-731/2	For 2" OD X 0.05" Wall Tubing	2" OD	3"	3"

POLISHED STAINLESS STEEL 316				
47-731/1H16	For 1-1/2" OD x 0.06" Wall Tubing	1-1/2" OD	2-3/16"	2-1/16"
47-731/424	For 1.67" OD (42.4mm) x 0.08" Wall Tubing	1.67" OD	2-9/16"	2-9/16"
47-731/216	For 2" OD x 0.06" Wall Tubing	2" OD	3"	2-15/16"

SATIN STAINLESS STEEL 316				
49-731/1H16	For 1-1/2" OD x 0.06" Wall Tubing	1-1/2" OD	2-3/16"	2-1/16"
49-731/424	For 1.67" OD (42.4mm) x 0.08" Wall Tubing	1.67" OD	2-9/16"	2-9/16"
49-731/216	For 2" OD x 0.06" Wall Tubing	2" OD	3"	2-15/16"

731A ADJUSTABLE RADIUS ELL



Item #	Description	Tubing Size	L	W
POLISHED STAINLESS STEEL 316				
47-731A/424	For 1.67" OD (42.4mm) x 0.08" Wall Tubing	1.67" OD	2-3/4"	2-3/4"
SATIN STAINLESS STEEL 316				
49-731A/424	For 1.67" OD (42.4mm) x 0.08" Wall Tubing	1.67" OD	2-3/4"	2-3/4"

732 FLUSH ELL



Item #	Description	Tubing Size	L	W
POLISHED BRASS				
00-732/1H	For 1-1/2" OD x 0.05" Wall Tubing	1-1/2" OD	2"	2"
00-732/2	For 2" OD x 0.05" Wall Tubing	2" OD	2-1/2"	2"

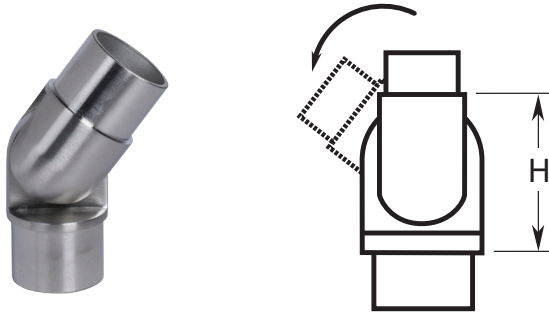
POLISHED STAINLESS STEEL 304				
40-732/1H	For 1-1/2" OD x 0.05" Wall Tubing	1-1/2" OD	2"	2"
40-732/2	For 2" OD x 0.05" Wall Tubing	2" OD	2-1/2"	2"

SATIN STAINLESS STEEL 304				
44-732/1H	For 1-1/2" OD x 0.05" Wall Tubing	1-1/2" OD	2"	2"
44-732/2	For 2" OD x 0.05" Wall Tubing	2" OD	2-1/2"	2"

POLISHED STAINLESS STEEL 316				
47-732/1H16	For 1-1/2" OD x 0.06" Wall Tubing	1-1/2" OD	2-3/32"	2-3/32"
47-732/424	For 1.67" OD (42.4mm) x 0.08" Wall Tubing	1.67" OD	2-9/16"	2-9/16"
47-732/216	For 2" OD x 0.06" Wall Tubing	2" OD	2-5/8"	2-5/8"

SATIN STAINLESS STEEL 316				
49-732/1H16	For 1-1/2" OD x 0.06" Wall Tubing	1-1/2" OD	2-3/32"	2-3/32"
49-732/424	For 1.67" OD (42.4mm) x 0.08" Wall Tubing	1.67" OD	2-9/16"	2-9/16"
49-732/216	For 1-1/2" OD x 0.06" Wall Tubing	2" OD	2-5/8"	2-5/8"

732A ADJUSTABLE FLUSH ELL



Item #	Description	Tubing Size	H
POLISHED BRASS			
00-732A/2	For 2" OD x 0.05" Wall Tubing	2" OD	2-1/4"
SATIN STAINLESS STEEL 304			
44-732A/1H	For 1-1/2" OD x 0.05" Wall Tubing	1-1/2" OD	1-3/4"
POLISHED STAINLESS STEEL 316			
47-732A/1H16	For 1-1/2" OD x 0.06" Wall Tubing	1-1/2" OD	1-3/4"
47-732A/424	For 1.67" OD (42.4mm) x 0.08" Wall Tubing	1.67" OD	2-1/8"
47-732A/216	For 2" OD x 0.06" Wall Tubing	2" OD	2-1/4"
SATIN STAINLESS STEEL 316			
49-732A/1H16	For 1-1/2" OD x 0.06" Wall Tubing	1-1/2" OD	1-3/4"
49-732A/424	For 1.67" OD (42.4mm) x 0.08" Wall Tubing	1.67" OD	2-1/8"
49-732A/216	For 2" OD x 0.06" Wall Tubing	2" OD	2-1/4"

730 FLUSH RADIUS ELL



Item #	Description	Tubing Size	L	W1	W2
POLISHED BRASS					
00-730/1H	For 1-1/2" OD x 0.05" Wall Tubing	1-1/2" OD	3"	2-5/16"	2"
00-730/2	For 2" OD x 0.05" Wall Tubing	2" OD	2-7/8"	3-3/8"	2"
POLISHED STAINLESS STEEL 304					
40-730/1H	For 1-1/2" OD x 0.05" Wall Tubing	1-1/2" OD	3"	2-5/16"	2"
40-730/2	For 2" OD x 0.05" Wall Tubing	2" OD	2-7/8"	3-3/8"	2"
SATIN STAINLESS STEEL 304					
44-730/1H	For 1-1/2" OD x 0.05" Wall Tubing	1-1/2" OD	3"	2-5/16"	2"
44-730/2	For 2" OD x 0.05" Wall Tubing	2" OD	2-7/8"	3-3/8"	2"
POLISHED STAINLESS STEEL 316					
47-730/1H16	For 1-1/2" OD x 0.06" Wall Tubing	1-1/2" OD	1.77"	3.18"	2"
47-730/424	For 1.67" OD (42.4mm) x 0.08" Wall Tubing	1.67" OD	3-3/8"	2"	2"
47-730/216	For 2" OD x 0.06" Wall Tubing	2" OD	2-7/8"	3-3/8"	2"
SATIN STAINLESS STEEL 316					
49-730/1H16	For 1-1/2" OD x 0.06" Wall Tubing	1-1/2" OD	1.77"	3.18"	2"
49-730/424	For 1.67" OD (42.4mm) x 0.08" Wall Tubing	1.67" OD	3-3/8"	2"	2"
49-730/216	For 2" OD x 0.06" Wall Tubing	2" OD	2-7/8"	3-3/8"	2"

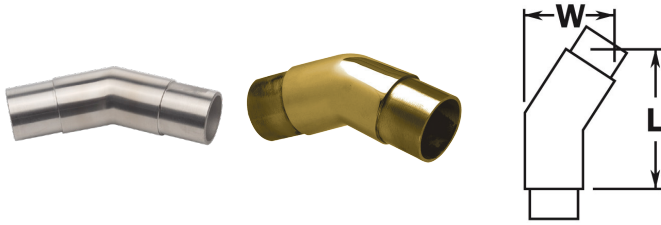


732A ADJUSTABLE ELBOW



730 FLUSH RADIUS ELL

730A 147 DEGREE FLUSH ELL



Item #	Description	Tubing Size	L	W
POLISHED BRASS				
00-730A/1H	For 1-1/2" OD x 0.05" Wall Tubing	1-1/2" OD	3-1/4"	2-1/4"
00-730A/2	For 2" OD x 0.05" Wall Tubing	2" OD	3-3/4"	2-3/4"
POLISHED STAINLESS STEEL 304				
40-730A/1H	For 1-1/2" OD x 0.05" Wall Tubing	1-1/2" OD	3-1/4"	2-1/4"
40-730A/2	For 2" OD x 0.05" Wall Tubing	2" OD	3-3/4"	2-3/4"
SATIN STAINLESS STEEL 304				
44-730A/1H	For 1-1/2" OD x 0.05" Wall Tubing	1-1/2" OD	3-1/4"	2-1/4"
44-730A/2	For 2" OD x 0.05" Wall Tubing	2" OD	3-3/4"	2-3/4"

733 FLUSH SIDE OUTLET ELL



Item #	Description	Tubing Size	L	W
POLISHED BRASS				
00-733/1H	For 1-1/2" OD x 0.05" Wall Tubing	1-1/2" OD	2-1/4"	2-1/4"
00-733/2	For 2" OD x 0.05" Wall Tubing	2" OD	2-1/4"	2-1/4"
POLISHED STAINLESS STEEL 304				
40-733/1H	For 1-1/2" OD x 0.05" Wall Tubing	1-1/2" OD	2-1/4"	2-1/4"
40-733/2	For 2" OD x 0.05" Wall Tubing	2" OD	2-1/4"	2-1/4"
SATIN STAINLESS STEEL 304				
44-733/1H	For 1-1/2" OD x 0.05" Wall Tubing	1-1/2" OD	2-1/4"	2-1/4"
44-733/2	For 2" OD x 0.05" Wall Tubing	2" OD	2-1/4"	2-1/4"
POLISHED STAINLESS STEEL 316				
47-733/1H16	For 1-1/2" OD x 0.06" Wall Tubing	1-1/2" OD	2-1/3"	2-1/3"
47-733/424	For 1.67" OD (42.4mm) x 0.08" Wall Tubing	1.67" OD	2-9/16"	2-9/16"
47-733/216	For 2" OD x 0.06" Wall Tubing	2" OD	2-3/8"	2-3/8"
SATIN STAINLESS STEEL 316				
49-733/1H16	For 1-1/2" OD x 0.06" Wall Tubing	1-1/2" OD	2-3/8"	2-3/8"
49-733/424	For 1.67" (42.4mm) OD x 0.08" Wall Tubing	1.67" OD	2-9/16"	2-9/16"
49-733/216	For 2" OD x 0.06" Wall Tubing	2" OD	2-3/8"	2-3/8"

734 FLUSH TEE



Item #	Description	Tubing Size	L	W
POLISHED BRASS				
00-734/1H	For 1-1/2" OD x 0.05" Wall Tubing	1-1/2" OD	2-1/4"	3"
00-734/2	For 2" OD x 0.05" Wall Tubing	2" OD	2-1/2"	3"
POLISHED STAINLESS STEEL 304				
40-734/1H	For 1-1/2" OD x 0.05" Wall Tubing	1-1/2" OD	2-1/4"	3"
40-734/2	For 2" OD x 0.05" Wall Tubing	2" OD	2-1/4"	3"
SATIN STAINLESS STEEL 304				
44-734/1H	For 1-1/2" OD x 0.05" Wall Tubing	1-1/2" OD	2-1/4"	3"
44-734/2	For 2" OD x 0.05" Wall Tubing	2" OD	2-1/2"	3"
POLISHED STAINLESS STEEL 316				
47-734/1H16	For 1-1/2" OD x 0.06" Wall Tubing	1-1/2" OD	2-1/4"	3"
47-734/424	For 1.67" OD (42.4mm) x 0.08" Wall Tubing	1.67" OD	2-9/16"	3-7/16"
47-734/216	For 2" OD x 0.06" Wall Tubing	2" OD	2-3/4"	3-9/16"
SATIN STAINLESS STEEL 316				
49-734/1H16	For 1-1/2" OD x 0.06" Wall Tubing	1-1/2" OD	2-1/4"	3"
49-734/424	For 1.67" OD (42.4mm) x 0.08" Wall Tubing	1.67" OD	2-9/16"	3-7/16"
49-734/216	For 2" OD x 0.06" Wall Tubing	2" OD	2-3/4"	3-9/16"



734 FLUSH TEE

735 FLUSH SIDE OUTLET TEE



Item #	Description	Tubing Size	L	W
POLISHED BRASS				
00-735/1H	For 1-1/2" OD x 0.05" Wall Tubing	1-1/2" OD	2-1/4"	3"
00-735/2	For 2" OD x 0.05" Wall Tubing	2" OD	2-1/4"	3"
POLISHED STAINLESS STEEL 304				
40-735/1H	For 1-1/2" OD x 0.05" Wall Tubing	1-1/2" OD	2-1/4"	3"
40-735/2	For 2" OD x 0.05" Wall Tubing	2" OD	2-1/2"	3"
SATIN STAINLESS STEEL 304				
44-735/1H	For 1-1/2" OD x 0.05" Wall Tubing	1-1/2" OD	2-1/4"	3"
44-735/2	For 2" OD x 0.05" Wall Tubing	2" OD	2-1/2"	3"
POLISHED STAINLESS STEEL 316				
47-735/1H16	For 1-1/2" OD x 0.06" Wall Tubing	1-1/2" OD	2-1/4"	3"
47-735/424	For 1.67" OD (42.4mm) x 0.08" Wall Tubing	1.67" OD	2-9/16"	3-1/2"
47-735/216	For 2" OD x 0.06" Wall Tubing	2" OD	2-1/2"	3"
SATIN STAINLESS STEEL 316				
49-735/1H16	For 1-1/2" OD x 0.06" Wall Tubing	1-1/2" OD	2-1/4"	3"
49-735/424	For 1.67" OD (42.4mm) x 0.08" Wall Tubing	1.67" OD	2-9/16"	3-1/2"
49-735/216	For 2" OD x 0.06" Wall Tubing	2" OD	2-1/2"	3"

736 FLUSH CROSS



Item #	Description	Tubing Size	L	W
POLISHED BRASS				
00-736/1H	For 1-1/2" OD x 0.05" Wall Tubing	1-1/2" OD	3"	3"
00-736/2	For 2" OD x 0.05" Wall Tubing	2" OD	3"	3"
POLISHED STAINLESS STEEL 304				
40-736/1H	For 1-1/2" OD x 0.05" Wall Tubing	1-1/2" OD	3"	3"
40-736/2	For 2" OD x 0.05" Wall Tubing	2" OD	3"	3"
SATIN STAINLESS STEEL 304				
44-736/1H	For 1-1/2" OD x 0.05" Wall Tubing	1-1/2" OD	3"	3"
44-736/2	For 2" OD x 0.05" Wall Tubing	2" OD	3"	3"
POLISHED STAINLESS STEEL 316				
47-736/424	For 1.67" OD (42.4mm) x 0.08" Wall Tubing	1.67" OD	3-7/16"	3-7/16"
SATIN STAINLESS STEEL 316				
49-736/424	For 1.67" OD (42.4mm) x 0.08" Wall Tubing	1.67" OD	3-7/16"	3-7/16"

738 FLUSH 135 D. SIDE OUT ELL



Item #	Description	Tubing Size	CP	W
POLISHED BRASS				
00-738/1H	For 1-1/2" OD x 0.05" Wall Tubing	1-1/2" OD	1-3/4"	2-1/4"
00-738/2	For 2" OD x 0.05" Wall Tubing	2" OD	2-7/8"	2"
POLISHED STAINLESS STEEL 304				
40-738/1H	For 1-1/2" OD x 0.05" Wall Tubing	1-1/2" OD	2-1/4"	2"
40-738/2	For 2" OD x 0.05" Wall Tubing	2" OD	2-7/8"	2"
SATIN STAINLESS STEEL 304				
44-738/1H	For 1-1/2" OD x 0.05" Wall Tubing	1-1/2" OD	2-3/4"	2"
44-738/2	For 2" OD x 0.05" Wall Tubing	2" OD	2-7/8"	2"

752 FLUSH ELL FLANGE ASSEMBLY



Item #	Description	Tubing Size	CP	D
POLISHED BRASS				
00-752/1H	For 1-1/2" OD x 0.05" Wall Tubing	1-1/2" OD	2-3/4"	3"
00-752/2	For 2" OD X 0.05" Wall Tubing	2" OD	3"	4"
POLISHED STAINLESS STEEL 304				
40-752/1H	For 1-1/2" OD X 0.05" Wall Tubing	1-1/2" OD	2-3/4"	3"
40-752/2	For 2" OD X 0.05" Wall Tubing	2" OD	3"	4"
SATIN STAINLESS STEEL 304				
44-752/1H	For 1-1/2" OD X 0.05" Wall Tubing	1-1/2" OD	2-3/4"	3"
44-752/2	For 2" OD X 0.05" Wall Tubing	2" OD	3"	4"

754 FLUSH TEE FLANGE ASSEMBLY



Item #	Description	Tubing Size	CP	D
POLISHED BRASS				
00-754/1H	For 1-1/2" OD X 0.05" Wall Tubing	1-1/2" OD	2-3/4"	3"
00-754/2	For 2" OD X 0.05" Wall Tubing	2" OD	3"	4"
POLISHED STAINLESS STEEL 304				
40-754/1H	For 1-1/2" OD X 0.05" Wall Tubing	1-1/2" OD	2-3/4"	3"
40-754/2	For 2" OD X 0.05" Wall Tubing	2" OD	3"	4"
SATIN STAINLESS STEEL 304				
44-754/1H	For 1-1/2" OD X 0.05" Wall Tubing	1-1/2" OD	2-3/4"	3"
44-754/2	For 2" OD X 0.05" Wall Tubing	2" OD	3"	4"

818 PERPENDICULAR COLLAR

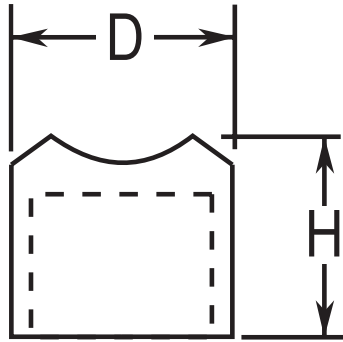


Item #	Description	Tubing Size	H
POLISHED BRASS			
00-818/1	For 1" OD x 0.05" Wall Tubing	1" OD	1/4"
00-818/1H	For 1-1/2" OD x 0.05" Wall Tubing	1-1/2" OD	1-15/16"
00-818/2	For 2" OD x 0.05" Wall Tubing	2" OD	1/4"
POLISHED STAINLESS STEEL 304			
40-818/1	For 1" OD x 0.05" Wall Tubing	1" OD	1/4"
40-818/1H	For 1-1/2" OD x 0.05" Wall Tubing	1-1/2" OD	1-15/16"
40-818/2	For 2" OD x 0.05" Wall Tubing	2" OD	1/4"
SATIN STAINLESS STEEL 304			
44-818/1	For 1" OD x 0.05" Wall Tubing	1" OD	1/4"
44-818/1H	For 1-1/2" OD x 0.05" Wall Tubing	1-1/2" OD	1-15/16"
44-818/2	For 2" OD x 0.05" Wall Tubing	2" OD	1/4"
POLISHED STAINLESS STEEL 316			
47-818/1H16	For 1-1/2" OD x 0.06" Wall Tubing	1-1/2" OD	1/4"
47-818/424	For 1.67" OD (42.4mm) x 0.08" Wall Tubing	1.67" OD	1/4"
47-818/216	For 2" OD x 0.06" Wall Tubing	2" OD	1/4"
SATIN STAINLESS STEEL 316			
49-818/1H16	For 1-1/2" OD x 0.06" Wall Tubing	1-1/2" OD	1/4"
49-818/424	For 1.67" OD (42.4mm) x 0.08" Wall Tubing	1.67" OD	1/4"
49-818/216	For 2" OD x 0.06" Wall Tubing	2" OD	1/4"

818 PERPENDICULAR COLLAR



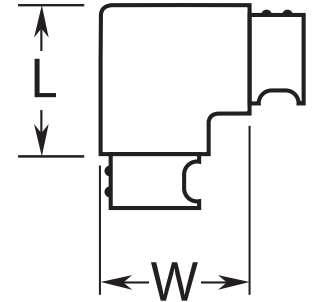
819 OUTER PERPENDICULAR COLLAR



Item #	Description	Tubing Size	D	H
POLISHED BRASS				
00-181A/1H	For 1-1/2" OD Tubing	1-1/2" OD	1-11/16"	1-1/2"
00-819/2	For 2" OD Tubing	2" OD	2-3/16"	1-3/4"

732UV FLUSH ELL - CHANNEL TUBE

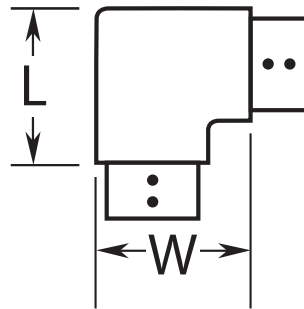
Connect channel tube A114U vertically.



Item #	Description	Tubing Size	L	W
POLISHED STAINLESS STEEL 316				
47-732UV/424	Vertical for 1.67" OD (42.4mm) x 0.06" Wall Tubing	1.67" OD	1.97"	1.97"
SATIN STAINLESS STEEL 316				
49-732UV/424	Vertical for 1.67" OD (42.4mm) x 0.06" Wall Tubing	1.67" OD	1.97"	1.97"

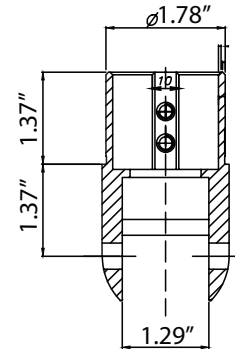
732UH FLUSH ELL - CHANNEL TUBE

Connect channel tube A114U horizontally.



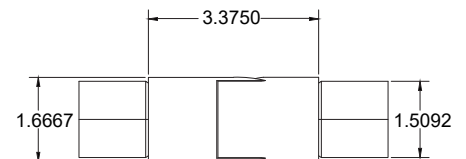
Item #	Description	Tubing Size	L	W
POLISHED STAINLESS STEEL 316				
47-732UH/424	Horizontal for 1.67" OD (42.4mm) x 0.06" Wall Tubing	1.67" OD	2.03"	2.03"
SATIN STAINLESS STEEL 316				
49-732UH/424	Horizontal for 1.67" OD (42.4mm) x 0.06" Wall Tubing	1.67" OD	2.03"	2.03"

732ACU ADJ FLUSH ELL - UP



Item #	Description	Tubing Size
SATIN STAINLESS STEEL 316		
49-732ACU/424	For 1.67" OD (42.4mm) x 0.06" Wall Channel Tubing	1.67" OD

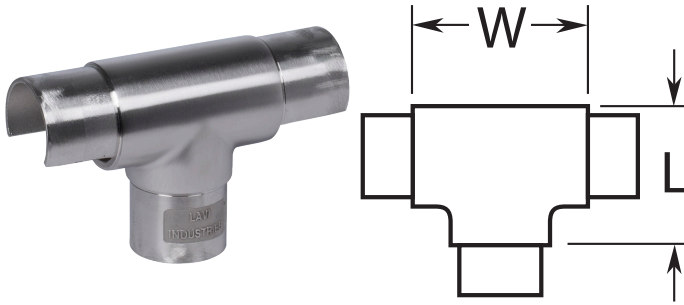
732ACD ADJ FLUSH ELL - DOWN



Item #	Description	Tubing Size
SATIN STAINLESS STEEL 316		
49-732ACD/424	For 1.67" OD (42.4mm) x 0.06" Wall Channel Tubing	1.67" OD

734C FLUSH TEE

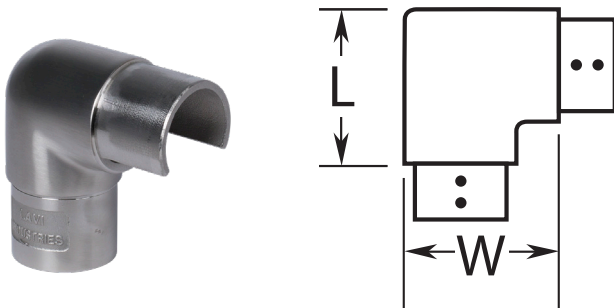
Connect two channel tubes A114U horizontally and a round tube A114 vertically.



Item #	Description	Tubing Size	W	L
POLISHED STAINLESS STEEL 316				
47-734C/424	For 1.67" (42.4mm) Channel to 1.67" Round Tubing	1.67" OD	3-7/16"	2-9/16"
SATIN STAINLESS STEEL 316				
49-734C/424	For 1.67" (42.4mm) Channel to 1.67" Round Tubing	1.67" OD	3-7/16"	2-9/16"

732C FLUSH ELL

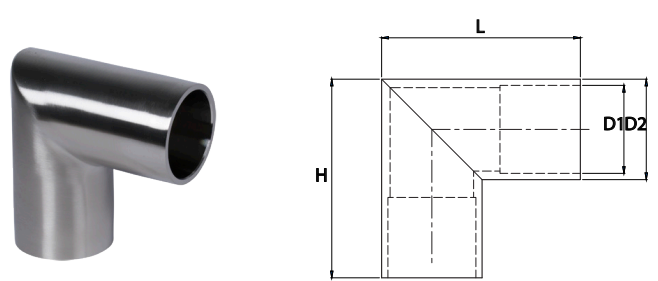
Connect one channel tube A114U horizontally and a round tube A114 vertically.



Item #	Description	Tubing Size	W	L
POLISHED STAINLESS STEEL 316				
47-732C/424	For 1.67" (42.4mm) Channel to 1.67" Round Tubing	1.67" OD	2"	2"
SATIN STAINLESS STEEL 316				
49-732C/424	For 1.67" (42.4mm) Channel to 1.67" Round Tubing	1.67" OD	2"	2"

732W FLUSH ELL FOR WOOD

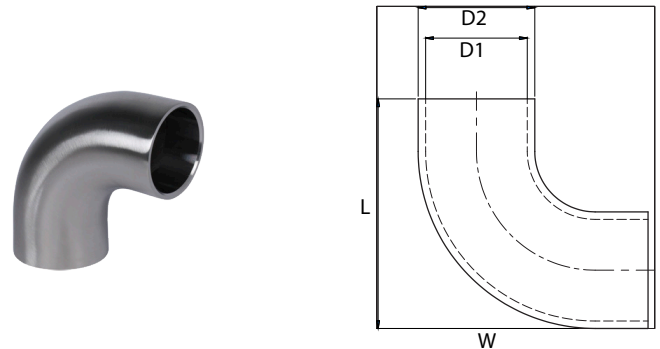
Use with E600 wood to fitting connector to connect to A134 1.77" solid round wood.



Item #	Description	Tubing Size	L	H	D1	D2
SATIN STAINLESS STEEL 304						
44-732W/45	Flush Ell	1.77" OD (45mm)	3.5"	3.5"	1.55"	1.77"

731W FLUSH RADIUS ELL FOR WOOD

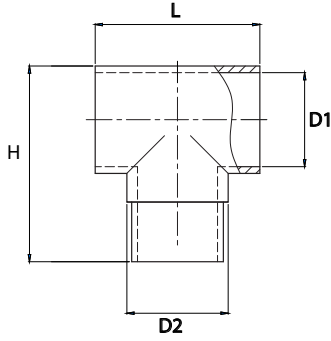
Use with E600 wood to fitting connector to connect to A134 1.77" solid round wood.



Item #	Description	Tubing Size	L	W	D1	D2
SATIN STAINLESS STEEL 304						
44-731W/45	Flush Radius Ell	1.77" OD (45mm)	3.5"	3.5"	1.55"	1.77"

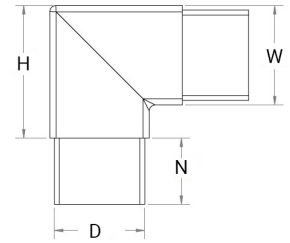
734W FLUSH TEE FOR WOOD

Use with E600 wood to fitting connector to connect to A134 1.77" solid round wood.



Item #	Description	Tubing Size	L	H	D1	D2
SATIN STAINLESS STEEL 304						
44-734W/45	Flush Tee	1.77" OD (45mm)	2.72"	3.22"	1.55"	1.66"

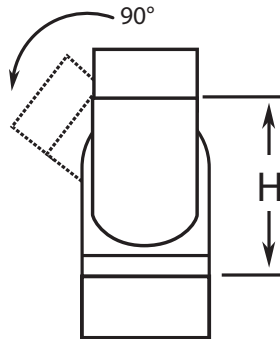
732SQ FLUSH ELL FOR SQUARE



Item #	Description	Tubing Size	D	H	W	N
SATIN STAINLESS STEEL 316						
49-732SQ/40	For 1.57" x 0.08" Wall	1.57" x 1.57"	1.42"	1.77"	1.57"	1.00"
49-732SQ-06/1H	For 1.50" x 0.06" Wall	1.50" x 1.50"	1.37"	2.00"	1.50"	1.00"

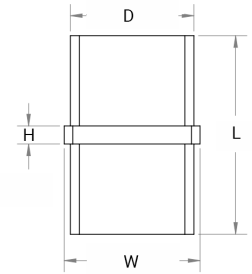
732AW ADJ FLUSH ELL FOR WOOD

Use with E600 wood to fitting connector to connect to A134 1.77" solid round wood.



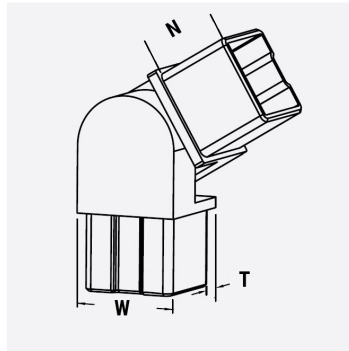
Item #	Description	Tubing Size	L	W
SATIN STAINLESS STEEL 304				
44-732AW/45	Adjustable Ell	1.77" OD	1.8"	2"

830SQ SPLICE FOR SQUARE TUBE



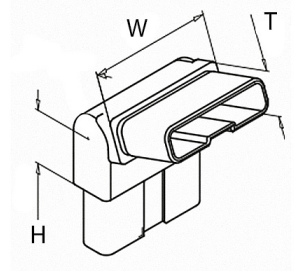
Item #	Description	Tubing Size	D	W	H	L
SATIN STAINLESS STEEL 316						
49-830SQ/40	For 1.57" x 0.08" Wall	1.57" x 1.57"	1.40"	1.57"	0.17"	2.20"
49-830SQ-06/1H	For 1.50" x 0.06" Wall	1.50" x 1.50"	1.37"	1.50"	0.17"	2.20"

732ASQ ADJUSTABLE FLUSH ELL



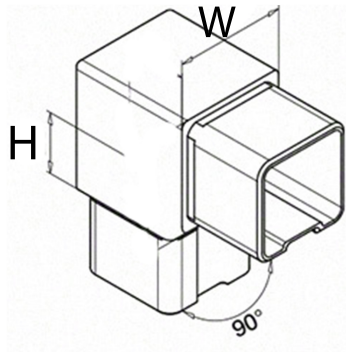
Item #	Description	Tubing Size	W	N	T
SATIN STAINLESS STEEL 316					
49-732ASQ/40	For 1.57" (40mm) Square Tubing	1.57"x1.57"	1.57"	1.20"	0.08"
49-732ASQ-06/1H	For 1-1/2" Square Tubing	1.5"x1.5"	1.50"	1.20"	0.06"

RL4312 ADJ ELL FOR RECTANGULAR



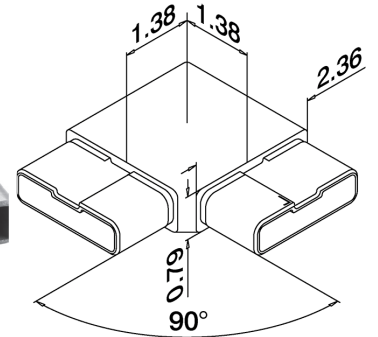
Item #	Description	Tubing Size	W	H	T
SATIN STAINLESS STEEL 316					
49-RL4312/6020	For 2.36" x 0.78" (60x20x2.0mm) Tubing	2.36" x 0.78"	2.36"	1.02"	.78"

SL4301 FLUSH ELL FOR SQUARE



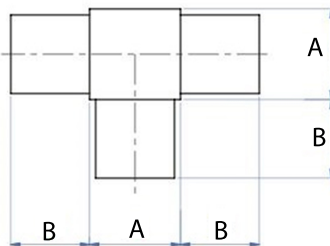
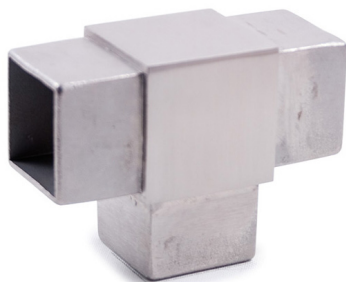
Item #	Description	Tubing Size	Wall	W	H
SATIN STAINLESS STEEL 316					
49-4301/40	For 1.57" (40mm) Square Tubing	1.57"	0.08"	1.57"	.98"

RL4301 FLUSH 90 DEGREE ELL



Item #	Description	Tubing Size	L	W	T
SATIN STAINLESS STEEL 316					
49-RL4301/6020	For 2.36" x 0.78" (60x20x2.0mm) Tubing	2.36" x 0.78"	1.38"	2.36"	.79"

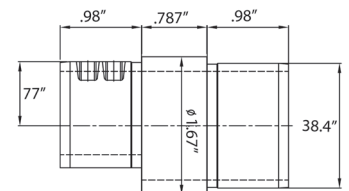
E4733 FLUSH TEE FOR SQUARE



Item #	Description	Tubing Size	Wall	A	B
SATIN STAINLESS STEEL 316					
49-E4733/40	For 1.57" (40mm) Square Tubing	1.57"	0.08"	1.57"	1"

E1200A SPLICE CHANNEL-ROUND

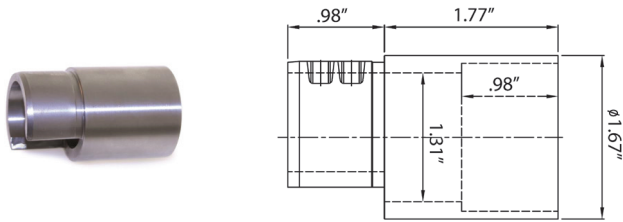
Splice connecting A114U channel tube to A114 round tube.



Item #	Description	Tubing Size
SATIN STAINLESS STEEL 316		
E1200120	For 1.67" OD (42.4mm) Channel and Round Tube	1.67" OD

E1200B SPLICE CHANNEL-FITTING

Splice connecting A114U channel tube to flush fittings for A114 (1.67" OD tubing).



Item #	Description	Tubing Size
SATIN STAINLESS STEEL 316		
E1200130	For 1.67" OD (42.4mm) Channel and Fittings for 1.67" OD Tubing	1.67" OD

BALL FITTINGS

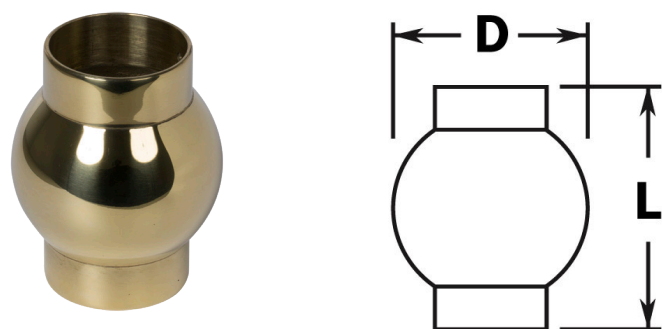
Ball fittings allow for a continuous length of tube to pass through multiple fittings and also allow for the tube ends to be hidden inside the fittings. A variety of angles can be achieved using angle collars. Both the classic look and functionality of ball fittings make them a persistent choice for traditional style projects such as bars, hotels, theaters and boats. Ball fittings come with self drilling screws to fix them to the tube and are available in brass, and stainless steel.

700 BALL SINGLE OUTLET



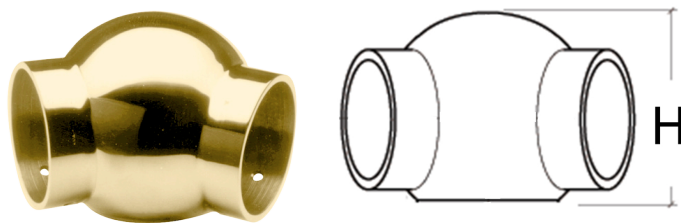
Item #	Description	Tubing Size	D	L
POLISHED BRASS				
00-700/1H	For 1-1/2" OD Tubing	1-1/2" OD	2-1/2"	2-11/16"
00-700/2	For 2" OD Tubing	2" OD	3-1/4"	3-3/8"
POLISHED STAINLESS STEEL 304				
40-700/1H	For 1-1/2" OD Tubing	1-1/2" OD	2-1/2"	2-11/16"
40-700/2	For 2" OD Tubing	2" OD	3-1/4"	3-3/8"
SATIN STAINLESS STEEL 304				
44-700/1H	For 1-1/2" OD Tubing	1-1/2" OD	2-1/2"	2-11/16"
44-700/2	For 2" OD Tubing	2" OD	3-1/4"	3-3/8"

701 BALL PARALLEL OUTLET



Item #	Description	Tubing Size	D	L
POLISHED BRASS				
00-701/1H	For 1-1/2" OD Tubing	1-1/2" OD	2-1/2"	2-7/8"
00-701/2	For 2" OD Tubing	2" OD	3-1/4"	3-3/8"
SATIN STAINLESS STEEL 304				
44-701/2	For 2" OD Tubing	2" OD	3-1/4"	3-3/8"

701A BALL 135 DEGREE ELBOW



Item #	Description	Tubing Size	H
POLISHED BRASS			
00-701A/1H	For 1-1/2" OD Tubing	1-1/2" OD	2-1/2"

702 BALL ELL



Item #	Description	Tubing Size	D	L
POLISHED BRASS				
00-702/1	For 1" OD Tubing	1" OD	2"	2.1875"
00-702/1H	For 1-1/2" OD Tubing	1-1/2" OD	2-1/2"	2-11/16"
00-702/2	For 2" OD Tubing	2" OD	3-1/4"	3-3/8"
POLISHED STAINLESS STEEL 304				
40-702/1H	For 1-1/2" OD Tubing	1-1/2" OD	2-1/2"	2-11/16"
40-702/2	For 2" OD Tubing	2" OD	3-1/4"	3-3/8"
SATIN STAINLESS STEEL 304				
44-702/1H	For 1-1/2" OD Tubing	1-1/2" OD	2-1/2"	2-11/16"
44-702/2	For 2" OD Tubing	2" OD	3-1/4"	3-3/8"

703 BALL OUTSIDE ELL



Item #	Description	Tubing Size	D	L
--------	-------------	-------------	---	---

POLISHED BRASS

00-703/1	For 1" OD Tubing	1" OD	2"	2-3/16"
00-703/1H	For 1-1/2" OD Tubing	1-1/2" OD	2-1/2"	2-11/16"
00-703/2	For 2" OD Tubing	2" OD	3-1/4"	3-5/8"

POLISHED STAINLESS STEEL 304

40-703/1H	For 1-1/2" OD Tubing	1-1/2" OD	2-1/2"	2-11/16"
40-703/2	For 2" OD Tubing	2" OD	3-1/4"	3-5/8"

SATIN STAINLESS STEEL 304

44-703/1H	For 1-1/2" OD Tubing	1-1/2" OD	2-1/2"	2-11/16"
44-703/2	For 2" OD Tubing	2" OD	3-1/4"	3-5/8"

705 BALL SIDE OUTLET TEE



Item #	Description	Tubing Size	D	L
--------	-------------	-------------	---	---

POLISHED BRASS

00-705/1	For 1" OD Tubing	1" OD	2"	2-3/16"
00-705/1H	For 1-1/2" OD Tubing	1-1/2" OD	2-1/2"	2-3/4"
00-705/2	For 2" OD Tubing	2" OD	3-1/4"	3-3/8"

POLISHED STAINLESS STEEL 304

40-705/1H	For 1-1/2" OD Tubing	1-1/2" OD	2-1/2"	2-3/4"
40-705/2	For 2" OD Tubing	2" OD	3-1/4"	3-3/8"

SATIN STAINLESS STEEL 304

44-705/1H	For 1-1/2" OD Tubing	1-1/2" OD	2-1/2"	2-3/4"
44-705/2	For 2" OD Tubing	2" OD	3-1/4"	3-3/8"

704 BALL TEE



Item #	Description	Tubing Size	D	L
--------	-------------	-------------	---	---

POLISHED BRASS

00-704/1	For 1" OD Tubing	1" OD	2"	2-13/16"
00-704/1H	For 1-1/2" OD Tubing	1-1/2" OD	2-1/2"	2-11/16"
00-704/2	For 2" OD Tubing	2" OD	3-1/4"	3-3/8"

POLISHED STAINLESS STEEL 304

40-704/1H	For 1-1/2" OD Tubing	1-1/2" OD	2-1/2"	2-11/16"
40-704/2	For 2" OD Tubing	2" OD	3-1/4"	3-3/8"

SATIN STAINLESS STEEL 304

44-704/1H	For 1-1/2" OD Tubing	1-1/2" OD	2-1/2"	2-11/16"
44-704/2	For 2" OD Tubing	2" OD	3-1/4"	3-3/8"

706 BALL CROSS



Item #	Description	Tubing Size	D	L
--------	-------------	-------------	---	---

POLISHED BRASS

00-706/1	For 1" OD Tubing	1" OD	2.5"	2.5"
00-706/1H	For 1-1/2" OD Tubing	1-1/2" OD	2-1/2"	3"
00-706/2	For 2" OD Tubing	2" OD	3-1/4"	3-3/8"

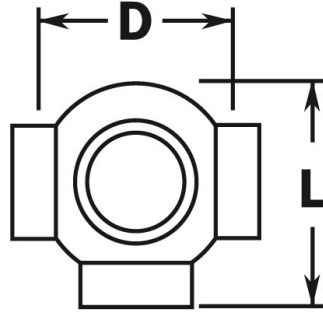
POLISHED STAINLESS STEEL 304

40-706/1H	For 1-1/2" OD Tubing	1-1/2" OD	2-1/2"	3"
40-706/2	For 2" OD Tubing	2" OD	3-1/4"	3-3/8"

SATIN STAINLESS STEEL 304

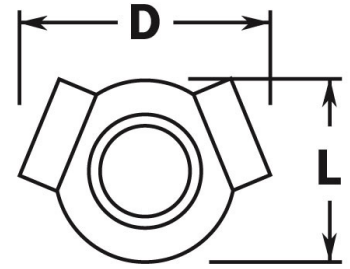
44-706/1H	For 1-1/2" OD Tubing	1-1/2" OD	2-1/2"	3"
44-706/2	For 2" OD Tubing	2" OD	3-1/4"	3-3/8"

707 BALL SIDE OUTLET CROSS



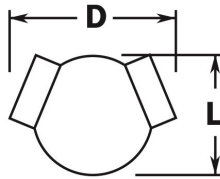
Item #	Description	Tubing Size	D	L
POLISHED BRASS				
00-707/1	For 1" OD Tubing	1" OD	2"	2-1/2"
00-707/1H	For 1-1/2" OD Tubing	1-1/2" OD	2-1/2"	2-11/16"
00-707/2	For 2" OD Tubing	2" OD	3-1/4"	3-3/8"

709 BALL 135 DEG SIDE OUT. TEE



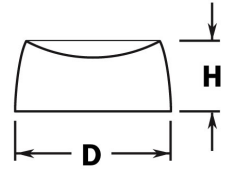
Item #	Description	Tubing Size	D	L
POLISHED BRASS				
00-709/1H	For 1-1/2" OD Tubing	1-1/2" OD	3-5/16"	2-1/2"
00-709/2	For 2" OD Tubing	2" OD	4"	3-1/4"

708 BALL 135 DEG SIDE OUT. ELL



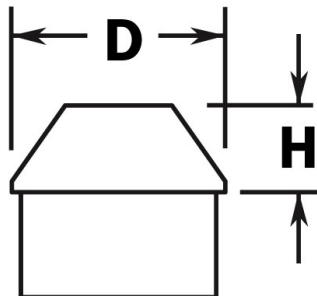
Item #	Description	Tubing Size	D	L
POLISHED BRASS				
00-708/1H	For 1-1/2" OD Tubing	1-1/2" OD	3-5/16"	2-1/2"
00-708/2	For 2" OD Tubing	2" OD	4"	3-1/4"
POLISHED STAINLESS STEEL 304				
40-708/1H	For 1-1/2" OD Tubing	1-1/2" OD	3-5/16"	2-1/2"
40-708/2	For 2" OD Tubing	2" OD	4"	3-1/4"
SATIN STAINLESS STEEL 304				
44-708/1H	For 1-1/2" OD Tubing	1-1/2" OD	3-5/16"	2-1/2"
44-708/2	For 2" OD Tubing	2" OD	4"	3-1/4"

800 ANGLE COLLAR



Item #	Description	Tubing Size	D	H
POLISHED BRASS				
00-800/1H	For 1-1/2" Ball Fitting	1-1/2" OD	1-3/4"	15/16"
00-800/2	For 2" Ball Fitting	2" OD	2-3/16"	1"
POLISHED STAINLESS STEEL 304				
40-800/1H	For 1-1/2" Ball Fitting	1-1/2" OD	1-3/4"	15/16"
40-800/2	For 2" Ball Fitting	2" OD	2-3/16"	1"
SATIN STAINLESS STEEL 304				
44-800/1H	For 1-1/2" Ball Fitting	1-1/2" OD	1-3/4"	15/16"
44-800/2	For 2" Ball Fitting	2" OD	1-3/4"	15/16"

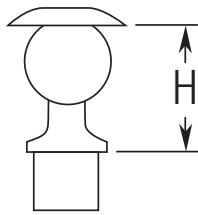
801 ANGLE COLLAR



Item #	Description	Tubing Size	D	H
POLISHED BRASS				
00-801/2	For 2" Ball Fitting	2" OD	2"	7/8"

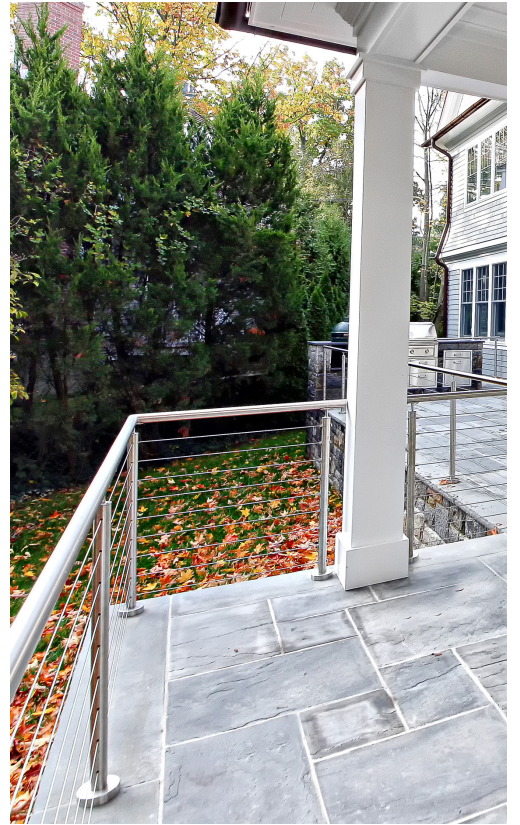
821 ADJUSTABLE BALL SADDLE

Self-tapping screws (2) included.



Item #	Description	Tubing Size	Wall	H
POLISHED BRASS				
00-821/2	For 2" x 0.05" Wall Tubing	2" OD	0.05"	2-1/8"
POLISHED STAINLESS STEEL 304				
40-821/1H	For 1-1/2" x 0.05" Wall Tubing	1-1/2" OD	0.05"	1-3/4"
40-821/2	For 2" x 0.05" Wall Tubing	2" OD	0.05"	2-1/8"
SATIN STAINLESS STEEL 304				
44-821/1H	For 1-1/2" x 0.05" Tubing	1-1/2" OD	0.05"	1-3/4"
44-821/2	For 2" x 0.05" Tubing	2" OD	0.05"	2-1/8"
POLISHED STAINLESS STEEL 316				
47-821/424	For 1.67" (42.4mm) x 0.08" Wall Tubing	1.67" OD	0.08"	2-1/2"
SATIN STAINLESS STEEL 316				
49-821/1H16	For 1-1/2" x 0.06" Wall Tubing	1-1/2" OD	0.06"	1-3/4"
49-821/424	For 1.67" (42.4mm) x 0.08" Tubing	1.67" OD	0.08"	2-3/8"

KITS





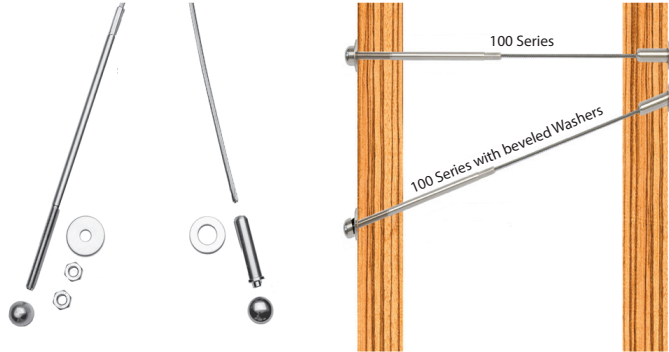
BuyRailings
ARCHITECTURAL &
INDUSTRIAL RAILINGS

CABLE RAILINGS

Cable railings are the most sought-after railing systems given their sophistication, minimalism and unbeatable views. Find all the individual cable railing components you need to build your own stylish cable railing system – posts, framework, cabling, hardware, tools and accessories, all made from marine grade stainless steel. Get the quality and precision you want at unbeatable prices.

CA102-SM SERIES 1/8" BASIC CABLE KIT

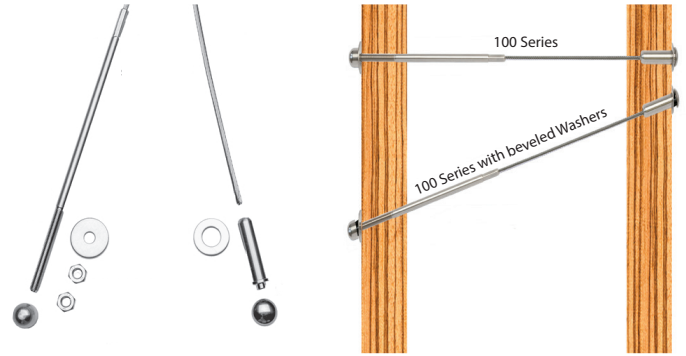
Includes a threaded stud and a Pull-Lock fitting.



Item #	Description	Length
SATIN STAINLESS STEEL 316		
CA102-SM/5	1/8" CABLE KIT FOR WOOD AND METAL POSTS	5FT
CA102-SM/10	1/8" CABLE KIT FOR WOOD AND METAL POSTS	10FT
CA102-SM/15	1/8" CABLE KIT FOR WOOD AND METAL POSTS	15FT
CA102-SM/20	1/8" CABLE KIT FOR WOOD AND METAL POSTS	20FT
CA102-SM/25	1/8" CABLE KIT FOR WOOD AND METAL POSTS	25FT
CA102-SM/30	1/8" CABLE KIT FOR WOOD AND METAL POSTS	30FT
CA102-SM/40	1/8" CABLE KIT FOR WOOD AND METAL POSTS	40FT
CA102-SM/50	1/8" CABLE KIT FOR WOOD AND METAL POSTS	50FT
CA102-SM/60	1/8" CABLE KIT FOR WOOD AND METAL POSTS	60FT
CA102-SM/70	1/8" CABLE KIT FOR WOOD AND METAL POSTS	70FT

CA102-MD SERIES 3/16" BASIC CABLE KIT

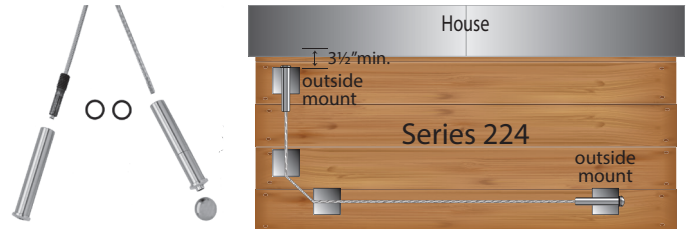
Includes a threaded stud and a Pull-Lock fitting.



Item #	Description	Length
SATIN STAINLESS STEEL 316		
CA102-MD/5	3/16" CABLE KIT FOR WOOD AND METAL POSTS	5FT
CA102-MD/10	3/16" CABLE KIT FOR WOOD AND METAL POSTS	10FT
CA102-MD/15	3/16" CABLE KIT FOR WOOD AND METAL POSTS	15FT
CA102-MD/20	3/16" CABLE KIT FOR WOOD AND METAL POSTS	20FT
CA102-MD/25	3/16" CABLE KIT FOR WOOD AND METAL POSTS	25FT
CA102-MD/30	3/16" CABLE KIT FOR WOOD AND METAL POSTS	30FT
CA102-MD/40	3/16" CABLE KIT FOR WOOD AND METAL POSTS	40FT
CA102-MD/50	3/16" CABLE KIT FOR WOOD AND METAL POSTS	50FT
CA102-MD/60	3/16" CABLE KIT FOR WOOD AND METAL POSTS	60FT
CA102-MD/70	3/16" CABLE KIT FOR WOOD AND METAL POSTS	70FT

CA224-SM SERIES 1/8" CABLE KIT

Includes an Invisiware Receiver and a Pull-Lock fitting.



Item #	Description	Length
SATIN STAINLESS STEEL 316		
CA232-SM/5	1/8" CABLE KIT FOR METAL POSTS	5FT
CA232-SM/10	1/8" CABLE KIT FOR METAL POSTS	10FT
CA232-SM/15	1/8" CABLE KIT FOR METAL POSTS	15FT
CA232-SM/20	1/8" CABLE KIT FOR METAL POSTS	20FT
CA232-SM/25	1/8" CABLE KIT FOR METAL POSTS	25FT
CA224-SM/30	1/8" CABLE KIT FOR WOOD AND METAL POSTS	30FT
CA224-SM/40	1/8" CABLE KIT FOR WOOD AND METAL POSTS	40FT
CA224-SM/50	1/8" CABLE KIT FOR WOOD AND METAL POSTS	50FT
CA224-SM/60	1/8" CABLE KIT FOR WOOD AND METAL POSTS	60FT
CA224-SM/70	1/8" CABLE KIT FOR WOOD AND METAL POSTS	70FT



CA224-SM CABLE KIT

CA224-MD SERIES 3/16" CABLE KIT

Includes an Invisiware Receiver and a Pull-Lock fitting.

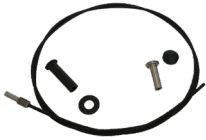


Item #	Description	Length
SATIN STAINLESS STEEL 316		
CA232-MD/5	3/16" Cable Kit for Metal Posts	5FT
CA232-MD/10	3/16" Cable Kit for Metal Posts	10FT
CA232-MD/15	3/16" Cable Kit for Metal Posts	15FT
CA232-MD/20	3/16" Cable Kit for Metal Posts	20FT
CA232-MD/25	3/16" Cable Kit for Metal Posts	25FT
CA224-MD/30	3/16" Cable Kit for Wood and Metal Posts	30FT
CA224-MD/40	3/16" Cable Kit for Wood and Metal Posts	40FT
CA224-MD/50	3/16" Cable Kit for Wood and Metal Posts	50FT
CA224-MD/60	3/16" Cable Kit for Wood and Metal Posts	60FT
CA224-MD/70	3/16" Cable Kit for Wood and Metal Posts	70FT

KITS



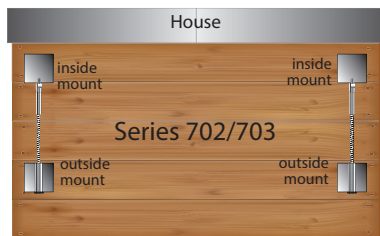
CAMO-SM 1/8" CABLE RAIL KIT - FOR METAL POSTS



Item #	Description	Length
SATIN STAINLESS STEEL 316 POWDER COATED BLACK		
49BK-CAMO-SM/5	1/8" CABLE KIT FOR METAL POSTS	5FT
49BK-CAMO-SM/10	1/8" CABLE KIT FOR METAL POSTS	10FT
49BK-CAMO-SM/15	1/8" CABLE KIT FOR METAL POSTS	15FT
49BK-CAMO-SM/20	1/8" CABLE KIT FOR METAL POSTS	20FT
49BK-CAMO-SM/25	1/8" CABLE KIT FOR METAL POSTS	25FT
49BK-CAMO-SM/30	1/8" CABLE KIT FOR METAL POSTS	30FT
49BK-CAMO-SM/40	1/8" CABLE KIT FOR METAL POSTS	40FT
49BK-CAMO-SM/50	1/8" CABLE KIT FOR METAL POSTS	50FT

CA703-SM SERIES 1/8" CABLE KIT

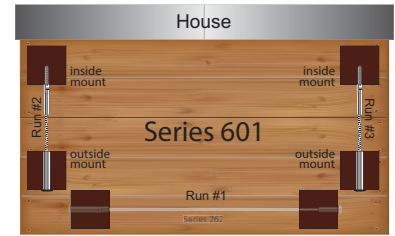
Includes an Invisiware Receiver and a Push-Lock fitting.



Item #	Description	Length
SATIN STAINLESS STEEL 316		
CA703-SM/5	1/8" CABLE KIT FOR METAL POSTS	5FT
CA703-SM/10	1/8" CABLE KIT FOR METAL POSTS	10FT
CA703-SM/15	1/8" CABLE KIT FOR METAL POSTS	15FT
CA703-SM/20	1/8" CABLE KIT FOR METAL POSTS	20FT
CA703-SM/25	1/8" CABLE KIT FOR METAL POSTS	25FT

CA601-SM SERIES 1/8" CABLE KIT

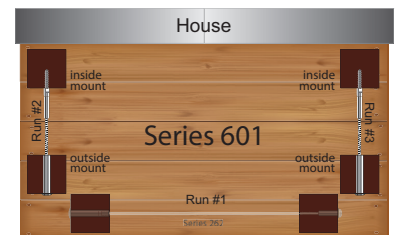
Includes an Invisiware Receiver and a Push-Lock fitting with a lag bolt.



Item #	Description	Length
SATIN STAINLESS STEEL 316		
CA601-SM/5	1/8" CABLE KIT FOR WOOD POSTS	5FT
CA601-SM/10	1/8" CABLE KIT FOR WOOD POSTS	10FT
CA601-SM/15	1/8" CABLE KIT FOR WOOD POSTS	15FT
CA601-SM/20	1/8" CABLE KIT FOR WOOD POSTS	20FT
CA601-SM/25	1/8" CABLE KIT FOR WOOD POSTS	25FT
CA601-SM/30	1/8" CABLE KIT FOR WOOD POSTS	30FT
CA601-SM/40	1/8" CABLE KIT FOR WOOD POSTS	40FT
CA601-SM/50	1/8" CABLE KIT FOR WOOD POSTS	50FT

CA601-MD SERIES 3/16" CABLE KIT

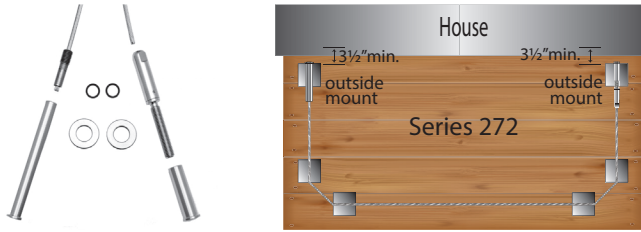
Includes an Invisiware Receiver and a Push-Lock fitting with a lag bolt.



Item #	Description	Length
SATIN STAINLESS STEEL 316		
CA601-MD/5	3/16" CABLE KIT FOR WOOD POSTS	5FT
CA601-MD/10	3/16" CABLE KIT FOR WOOD POSTS	10FT
CA601-MD/15	3/16" CABLE KIT FOR WOOD POSTS	15FT
CA601-MD/20	3/16" CABLE KIT FOR WOOD POSTS	20FT
CA601-MD/25	3/16" CABLE KIT FOR WOOD POSTS	25FT
CA601-MD/30	3/16" CABLE KIT FOR WOOD POSTS	30FT
CA601-MD/40	3/16" CABLE KIT FOR WOOD POSTS	40FT
CA601-MD/50	3/16" CABLE KIT FOR WOOD POSTS	50FT

CA272-SM SERIES 1/8" CABLE KIT

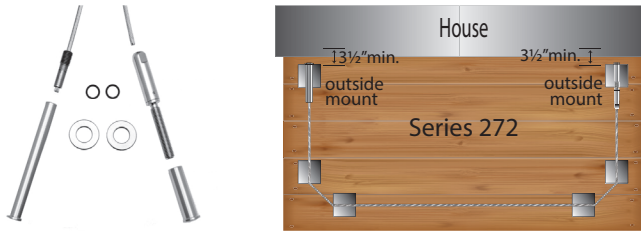
Includes two Invisiware Receivers and a Push-Lock stud.



Item #	Description	Length
SATIN STAINLESS STEEL 316		
CA272-SM/30	1/8" CABLE KIT FOR WOOD POSTS	30FT
CA272-SM/40	1/8" CABLE KIT FOR WOOD POSTS	40FT
CA272-SM/50	1/8" CABLE KIT FOR WOOD POSTS	50FT
CA272-SM/60	1/8" CABLE KIT FOR WOOD POSTS	60FT

CA272-MD SERIES 3/16" CABLE KIT

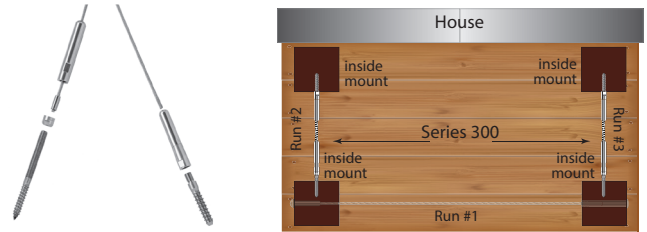
Includes two Invisiware Receivers and a Push-Lock stud.



Item #	Description	Length
SATIN STAINLESS STEEL 316		
CA272-MD/30	3/16" CABLE KIT FOR WOOD POSTS	30FT
CA272-MD/40	3/16" CABLE KIT FOR WOOD POSTS	40FT
CA272-MD/50	3/16" CABLE KIT FOR WOOD POSTS	50FT
CA272-MD/60	3/16" CABLE KIT FOR WOOD POSTS	60FT

CA300-SM SERIES 1/8" CABLE KIT

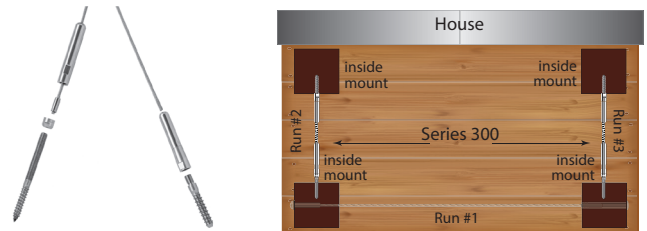
Includes Adjust-a-Body and Push-Lock fittings with lag bolts.



Item #	Description	Length
SATIN STAINLESS STEEL 316		
CA300-SM/5	1/8" CABLE KIT FOR WOOD POSTS	5FT
CA300-SM/10	1/8" CABLE KIT FOR WOOD POSTS	10FT
CA300-SM/15	1/8" CABLE KIT FOR WOOD POSTS	15FT
CA300-SM/20	1/8" CABLE KIT FOR WOOD POSTS	20FT
CA300-SM/25	1/8" CABLE KIT FOR WOOD POSTS	25FT
CA300-SM/30	1/8" CABLE KIT FOR WOOD POSTS	30FT
CA300-SM/40	1/8" CABLE KIT FOR WOOD POSTS	40FT
CA300-SM/50	1/8" CABLE KIT FOR WOOD POSTS	50FT

CA300-MD SERIES 3/16" CABLE KIT

Includes Adjust-a-Body and Push-Lock fittings with lag bolts.



Item #	Description	Length
SATIN STAINLESS STEEL 316		
CA300-MD/5	3/16" CABLE KIT FOR WOOD POSTS	5FT
CA300-MD/10	3/16" CABLE KIT FOR WOOD POSTS	10FT
CA300-MD/15	3/16" CABLE KIT FOR WOOD POSTS	15FT
CA300-MD/20	3/16" CABLE KIT FOR WOOD POSTS	20FT
CA300-MD/25	3/16" CABLE KIT FOR WOOD POSTS	25FT
CA300-MD/30	3/16" CABLE KIT FOR WOOD POSTS	30FT
CA300-MD/40	3/16" CABLE KIT FOR WOOD POSTS	40FT
CA300-MD/50	3/16" CABLE KIT FOR WOOD POSTS	50FT

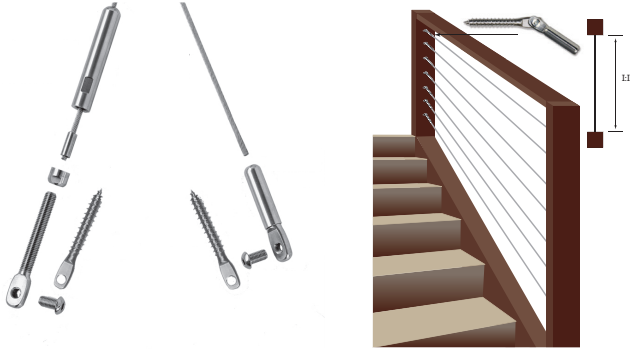


CA232-SM CABLE KIT



CA500W-SM SERIES 1/8" CABLE KIT

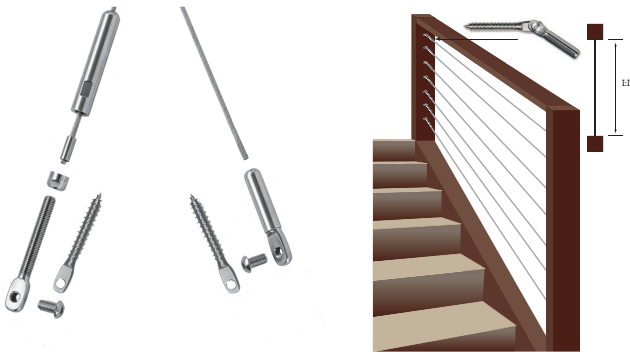
Includes an Adjust-a-Body and a Push-Lock fitting with threaded eyes and lag eyes.



Item #	Description	Length
SATIN STAINLESS STEEL 316		
CA500W-SM/5	1/8" CABLE RAIL KIT FOR WOOD POSTS	5FT
CA500W-SM/10	1/8" CABLE RAIL KIT FOR WOOD POSTS	10FT
CA500W-SM/15	1/8" CABLE RAIL KIT FOR WOOD POSTS	15FT
CA500W-SM/25	1/8" CABLE RAIL KIT FOR WOOD POSTS	25FT
CA500W-SM/30	1/8" CABLE RAIL KIT FOR WOOD POSTS	30FT
CA500W-SM/40	1/8" CABLE RAIL KIT FOR WOOD POSTS	40FT
CA500W-SM/50	1/8" CABLE RAIL KIT FOR WOOD POSTS	50FT

CA500W-MD SERIES 3/16" CABLE KIT

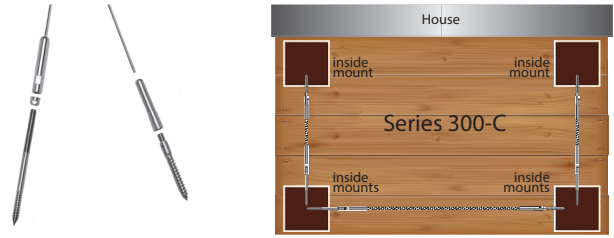
Includes an Adjust-a-Body and a Push-Lock fitting with threaded eyes and lag eyes.



Item #	Description	Length
SATIN STAINLESS STEEL 316		
CA500W-MD/5	3/16" CABLE RAIL KIT FOR WOOD POSTS	5FT
CA500W-MD/10	3/16" CABLE RAIL KIT FOR WOOD POSTS	10FT
CA500W-MD/15	3/16" CABLE RAIL KIT FOR WOOD POSTS	15FT
CA500W-MD/40	3/16" CABLE RAIL KIT FOR WOOD POSTS	40FT

CA300C-SM SERIES 1/8" CABLE KIT

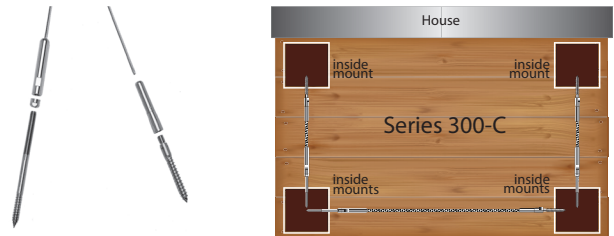
Includes Adjust-a-Body and Push-Lock fittings with lag bolts.



Item #	Description	Length
SATIN STAINLESS STEEL 316		
CA300C-SM/5	1/8" CABLE KIT FOR SLEEVED WOOD POSTS	5FT
CA300C-SM/10	1/8" CABLE KIT FOR SLEEVED WOOD POSTS	10FT
CA300C-SM/15	1/8" CABLE KIT FOR SLEEVED WOOD POSTS	15FT
CA300C-SM/20	1/8" CABLE KIT FOR SLEEVED WOOD POSTS	20FT
CA300C-SM/25	1/8" CABLE KIT FOR SLEEVED WOOD POSTS	25FT
CA300C-SM/30	1/8" CABLE KIT FOR SLEEVED WOOD POSTS	30FT
CA300C-SM/40	1/8" CABLE KIT FOR SLEEVED WOOD POSTS	40FT
CA300C-SM/50	1/8" CABLE KIT FOR SLEEVED WOOD POSTS	50FT

CA300C-SM SERIES 3/16" CABLE KIT

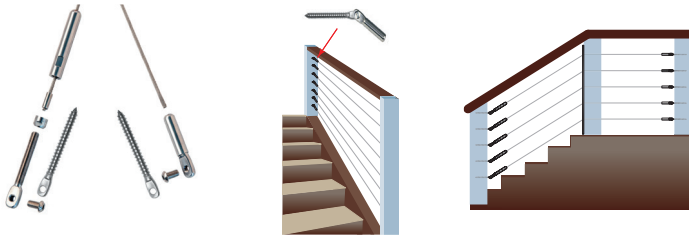
Includes Adjust-a-Body and Push-Lock fittings with lag bolts.



Item #	Description	Length
SATIN STAINLESS STEEL 316		
CA300C-MD/5	3/16" CABLE KIT FOR SLEEVED WOOD POSTS	5FT
CA300C-MD/10	3/16" CABLE KIT FOR SLEEVED WOOD POSTS	10FT
CA300C-MD/15	3/16" CABLE KIT FOR SLEEVED WOOD POSTS	15FT
CA300C-MD/20	3/16" CABLE KIT FOR SLEEVED WOOD POSTS	20FT
CA300C-MD/25	3/16" CABLE KIT FOR SLEEVED WOOD POSTS	25FT
CA300C-MD/30	3/16" CABLE KIT FOR SLEEVED WOOD POSTS	30FT
CA300C-MD/40	3/16" CABLE KIT FOR SLEEVED WOOD POSTS	40FT
CA300C-MD/50	3/16" CABLE KIT FOR SLEEVED WOOD POSTS	50FT

CA500C-SM SERIES 1/8" CABLE KIT

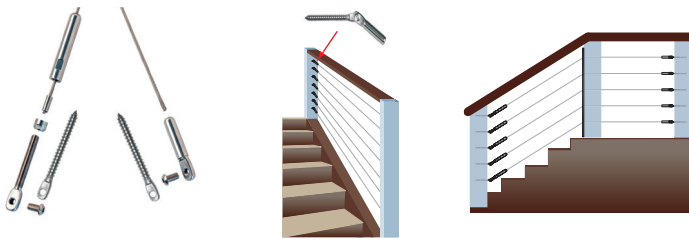
Includes an Adjust-a-Body and a Push-Lock fitting with threaded eyes and lag eyes.



Item #	Description	Length
SATIN STAINLESS STEEL 316		
CA500C-SM/5	1/8" CABLE RAIL KIT FOR WOOD/COMPOSITE	5FT
CA500C-SM/10	1/8" CABLE RAIL KIT FOR WOOD/COMPOSITE	10FT
CA500C-SM/15	1/8" CABLE RAIL KIT FOR WOOD/COMPOSITE	15FT
CA500C-SM/20	1/8" CABLE RAIL KIT FOR WOOD/COMPOSITE	20FT
CA500C-SM/25	1/8" CABLE RAIL KIT FOR WOOD/COMPOSITE	25FT
CA500C-SM/30	1/8" CABLE RAIL KIT FOR WOOD/COMPOSITE	30FT
CA500C-SM/40	1/8" CABLE RAIL KIT FOR WOOD/COMPOSITE	40FT
CA500C-SM/50	1/8" CABLE RAIL KIT FOR WOOD/COMPOSITE	50FT

CA500C-MD SERIES 3/16" CABLE KIT

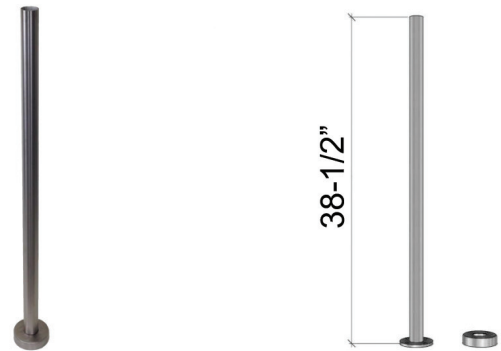
Includes an Adjust-a-Body and a Push-Lock fitting with threaded eyes and lag eyes.



Item #	Description	Length
SATIN STAINLESS STEEL 316		
CA500C-MD/5	3/16" CABLE RAIL KIT FOR WOOD/COMPOSITE	5FT
CA500C-MD/10	3/16" CABLE RAIL KIT FOR WOOD/COMPOSITE	10FT
CA500C-MD/15	3/16" CABLE RAIL KIT FOR WOOD/COMPOSITE	15FT
CA500C-MD/20	3/16" CABLE RAIL KIT FOR WOOD/COMPOSITE	20FT
CA500C-MD/25	3/16" CABLE RAIL KIT FOR WOOD/COMPOSITE	25FT
CA500C-MD/30	3/16" CABLE RAIL KIT FOR WOOD/COMPOSITE	30FT
CA500C-MD/40	3/16" CABLE RAIL KIT FOR WOOD/COMPOSITE	40FT
CA500C-MD/50	3/16" CABLE RAIL KIT FOR WOOD/COMPOSITE	50FT

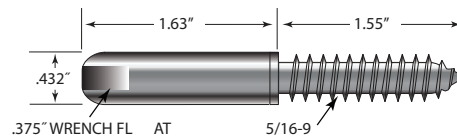
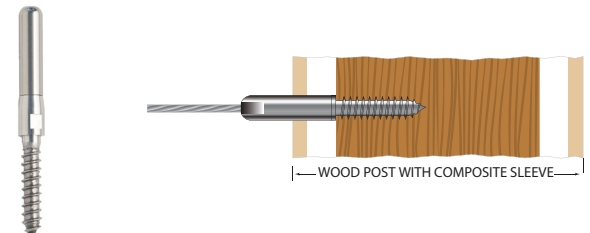
U424 UNDRILLED FLOOR POST

Prefabricated round post with tube, welded-on flange, and a flange canopy. Combine with saddles 352, 352A, 352L and 821 and handrail to create a 42" high railing.



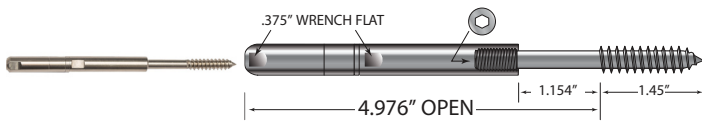
Item #	Description	Tubing Size	Height
SATIN STAINLESS STEEL 316			
49-U424/42/F	Round Post with Flange & Canopy - No Saddle	1.67" OD	42"

CA-WLN SWAGELESS LEVEL NON TENSIONER FITTINGS FOR WOOD



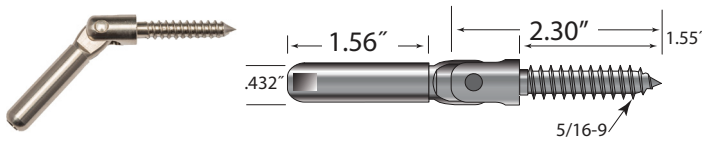
Item #	Description	Cable
SATIN STAINLESS STEEL 316		
CA-WLN1/8-1	FITTING FOR 1/8" CABLE	1/8"
CA-WLN3/16-1	FITTING FOR 3/16" CABLE	3/16"

CA-WLT SWAGELESS LEVEL TENSIONER FITTINGS FOR WOOD



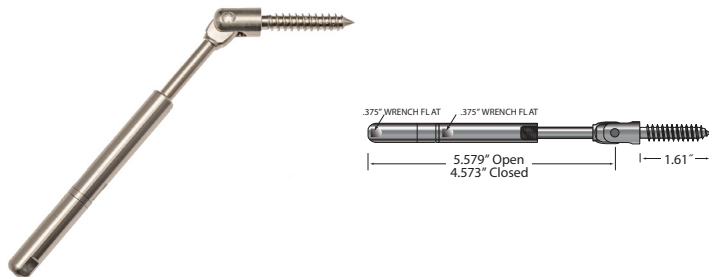
Item #	Description	Cable
SATIN STAINLESS STEEL 316		
CA-WLT1/8-1	FITTING FOR 1/8" CABLE	1/8"
CA-WLT3/16-1	FITTING FOR 3/16" CABLE	3/16"

CA-WSN SWAGELESS STAIR NON TENSIONER FITTINGS FOR WOOD



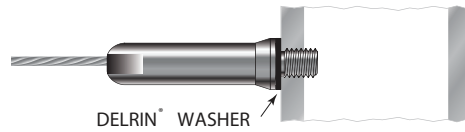
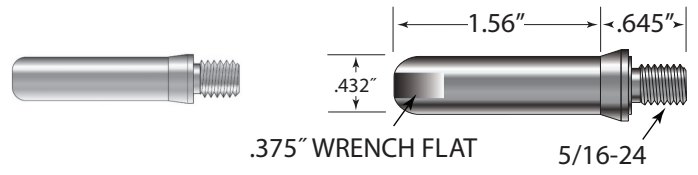
Item #	Description	Cable
SATIN STAINLESS STEEL 316		
CA-WSN1/8-1	FITTING FOR 1/8" CABLE	1/8"
CA-WSN3/16-1	FITTING FOR 3/16" CABLE	3/16"

CA-WST SWAGELESS STAIR TENSIONER FITTINGS FOR WOOD



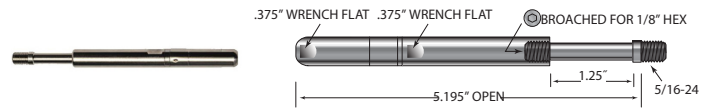
Item #	Description	Cable
SATIN STAINLESS STEEL 316		
CA-WST1/8-1	FITTING FOR 1/8" CABLE	1/8"
CA-WST3/16-1	FITTING FOR 3/16" CABLE	3/16"

CA-MLN SWAGELESS LEVEL NON TENSIONER FITTINGS FOR METAL



Item #	Description	Cable
SATIN STAINLESS STEEL 316		
CA-MLN1/8-1	FITTING FOR 1/8" CABLE	1/8"
CA-MLN3/16-1	FITTING FOR 3/16" CABLE	3/16"

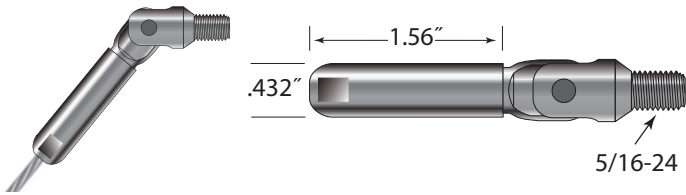
CA-MLT SWAGELESS LEVEL TENSIONER FITTINGS FOR METAL



Item #	Description	Cable
SATIN STAINLESS STEEL 316		
CA-MLT1/8-1	FITTING FOR 1/8" CABLE	1/8"
CA-MLT3/16-1	FITTING FOR 3/16" CABLE	3/16"

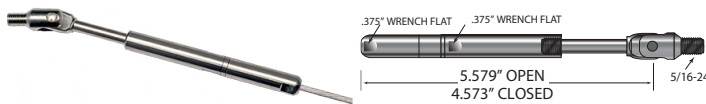
KITS

CA-MSN SWAGELESS STAIR NON TENSIONER FITTINGS FOR METAL



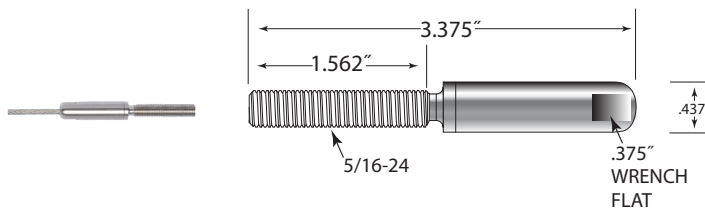
Item #	Description	Cable
SATIN STAINLESS STEEL 316		
CA-MSN1/8-1	FITTING FOR 1/8" CABLE	1/8"
CA-MSN3/16-1	FITTING FOR 3/16" CABLE	3/16"

CA-MST SWAGELESS STAIR TENSIONER FITTINGS FOR METAL



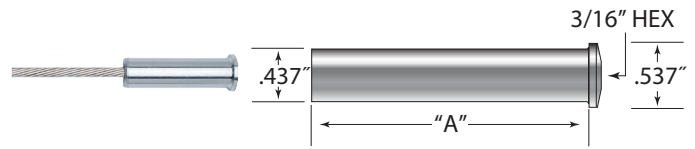
Item #	Description	Cable
SATIN STAINLESS STEEL 316		
CA-MST1/8-1	FITTING FOR 1/8" CABLE	1/8"
CA-MST3/16-1	FITTING FOR 3/16" CABLE	3/16"

PLST PUSH-LOCK SWAGELESS STUD



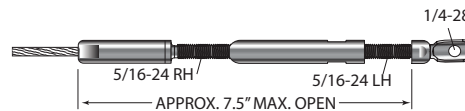
Item #	Description	Cable
SATIN STAINLESS STEEL 316		
PLST-4	FITTING FOR 1/8" CABLE	1/8"
PLST-6	FITTING FOR 3/16" CABLE	3/16"

CAPUL PULL-LOCK STOP-END FITTING



Item #	Description	Cable	A
SATIN STAINLESS STEEL 316			
CAPUL-4-2.030	FOR 1.5" TO 2" TUBE AND 1/8" CABLE	2.03"	1/8"
CAPUL-6-2.030	FOR 1.5" TO 2" TUBE AND 3/16" CABLE	2.03"	3/16"
CAPUL-4-12	FOR 1.5" TUBE AND 1/8" CABLE	1/8"	1.56"
CAPUL-4-3.03	FOR 3" TUBE AND 1/8" CABLE	1/8"	3.03"
CAPUL-6-12	FOR 1.5" TUBE AND 3/16" CABLE	3/16"	1.56"
CAPUL-6-3.03	FOR 3" TUBE AND 3/16" CABLE	3/16"	3.03"
CAPUL-8-2.030	FOR 1.5" TUBE AND 1/4" CABLE	1/4"	2.03"
CAPUL-4-2.375	FOR 2-3/8" TUBE AND 1/8" CABLE	2.405"	1/8"
CAPUL-6-2.375	FOR 2-3/8" TUBE AND 3/16" CABLE	2.405"	3/16"

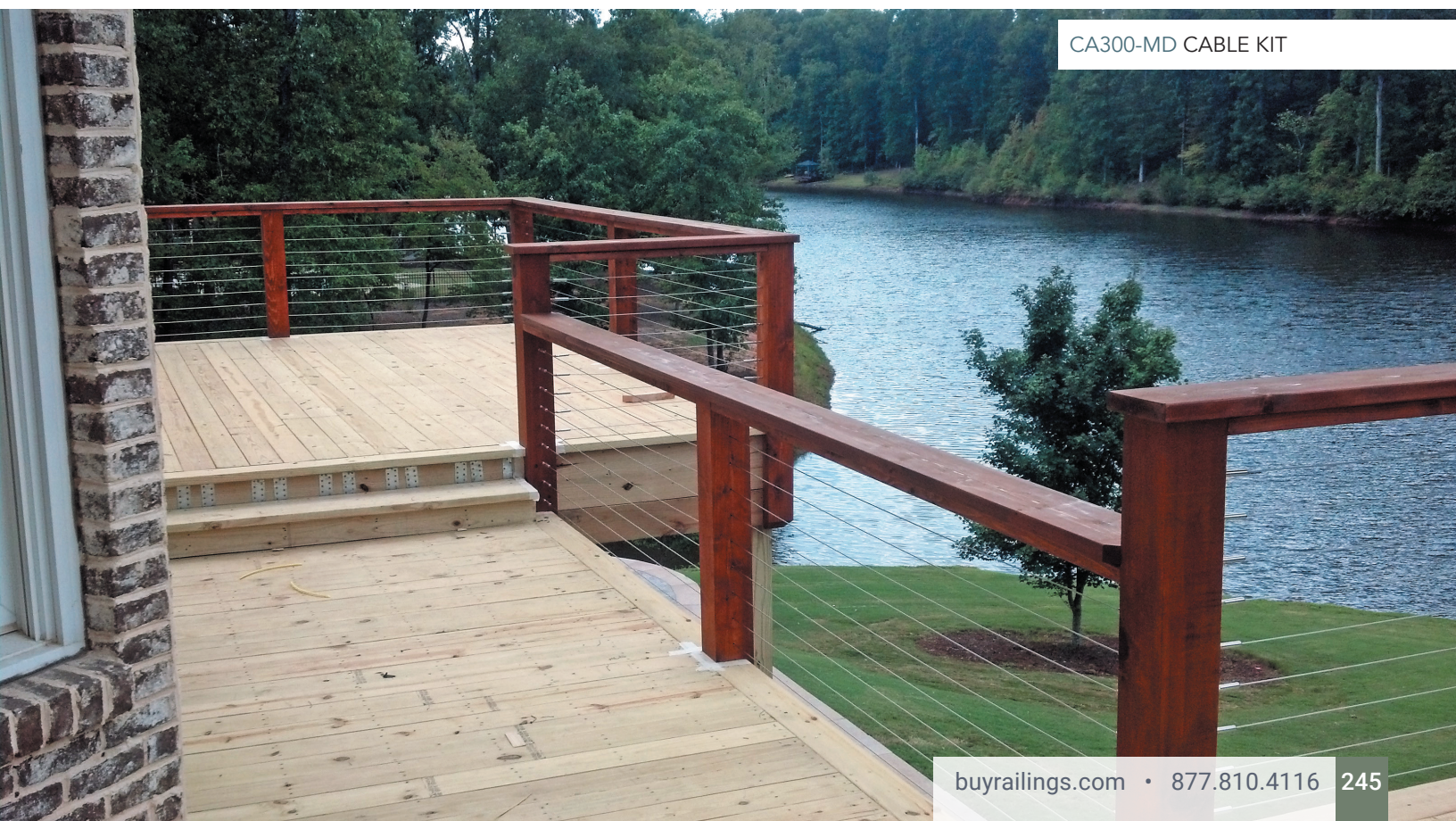
PL-TB-AB PUSH-LOCK TURNBUCKLE WITH CONCRETE ANCHOR BOLT



Item #	Description	Cable
SATIN STAINLESS STEEL 316		
PL-TB-AB-4	FITTING FOR 1/8" CABLE	1/8"
PL-TB-AB-6	FITTING FOR 3/16" CABLE	3/16"

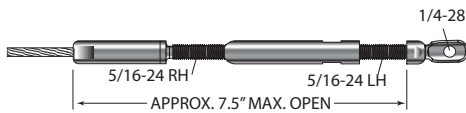


CA232-SM CABLE KIT



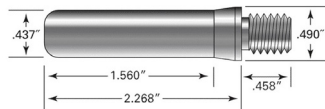
CA300-MD CABLE KIT

PL-TB-HB PUSH-LOCK TURNBUCKLE WITH HANGER BOLT



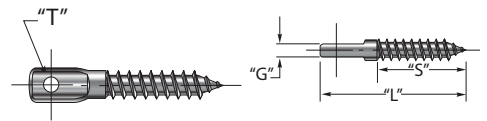
Item #	Description	Cable
SATIN STAINLESS STEEL 316		
CAPL-TB-HB-4	FITTING FOR 1/8" CABLE	1/8"
CAPL-TB-HB-6	FITTING FOR 3/16" CABLE	3/16"

PL-AB PUSH-LOCK ANCHOR BOLT



Item #	Description	Cable
SATIN STAINLESS STEEL 316		
PL-AB4	FITTING FOR 1/8" CABLE	1/8"
PL-AB6	FITTING FOR 3/16" CABLE	3/16"

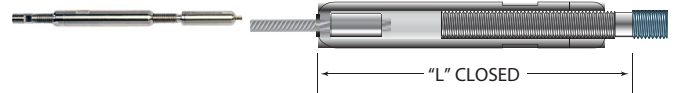
CALE LAG EYE



Item #	Description	Cable	G	L	S	T
SATIN STAINLESS STEEL 316						
LE-6	FOR 1/8" OR 3/16" CABLE	1/8" Or 3/16"	.232"	2.23"	1.50"	.256"
LE-8	FOR 1/4", 5/16" OR 3/8" CABLE	1/4" Or 5/16" Or 3/8"	.290"	3.55"	2.00"	.393"

PL-TB-TB PUSH-LOCK TURNBUCKLE THREADED BOLT

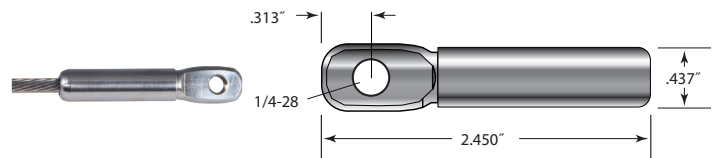
A-JTB6 = 3-1/8" // A-JTB8 = 3-1/2"



Item #	Description	Cable
SATIN STAINLESS STEEL 316		
PL-TB-TB-4	FITTING FOR 1/8" CABLE	1/8"
PL-TB-TB-6	FITTING FOR 3/16" CABLE	3/16"

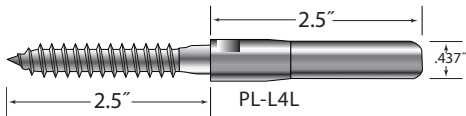
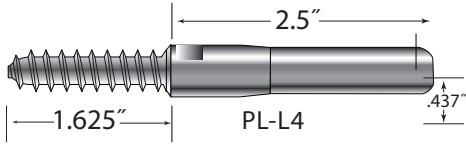
PL-TE PUSH-LOCK FITTING WITH THREADED EYE END.

Use with SC-6.



Item #	Description	Cable
SATIN STAINLESS STEEL 316		
PL-TE4	FOR 1/8" CABLE	1/8"
PL-TE6	FOR 3/16" CABLE	3/16"

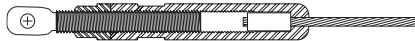
PL-L PUSH LOCK LAG



Item #	Description	Cable	Position	Post Surface
SATIN STAINLESS STEEL 316				
PL-L4L	FOR 1/8" CABLE	1/8"	Level	Composite
PL-L4	FOR 1/8" CABLE	1/8"	Level	Wood
PL-L6L	FOR 3/16" CABLE	3/16"	Level	Composite
PL-L6	FOR 3/16" CABLE	3/16"	Level	Wood

A-JTE ADJUST-A-BODY WITH THREADED EYE TENSIONER

Use with CS-6 and F-4 for 1/8" cable or F-6 for 3/16" cable.

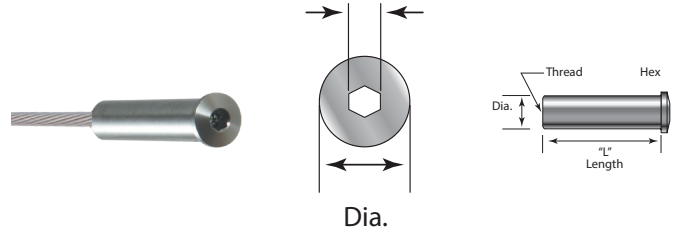


Item #	Description	Tubing Size
SATIN STAINLESS STEEL 316		
A-JTE6	(A-JTE6) FOR 1/8" AND 3/16" CABLE	3/16"

3278 SURFACE MOUNT TURNBUCKLE (SWAGING REQUIRED)

Item #	Description	Swage	Cable	L	W
SATIN STAINLESS STEEL 316					
CR3278	(3278) FOR 1/8" CABLE	Machine Swage	1/8"	7"	1-3/8"

R-6 INVISIWARE RECEIVER



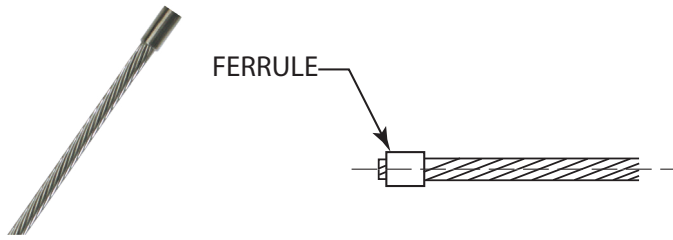
Item #	Description	Length	Cable
SATIN STAINLESS STEEL 316			
R-6-12	FOR 1/8" OR 3/16" CABLE	1.56"	1/8" Or 3/16"
R-6-22	FOR 1/8" OR 3/16" CABLE	1.81"	1/8" Or 3/16"
R-8-22	FOR 1/4" CABLE	1.81"	1/4"
R-6-32	FOR 1/8" OR 3/16" CABLE	2.03"	1/8" Or 3/16"
R-8-32	FOR 1/4" CABLE	2.03"	1/4"
R-8-52	FOR 1/4" CABLE	3.03"	1/4"
R-6-72	FOR 1/8" OR 3/16" CABLE	2.40"	1/8" Or 3/16"
R-6-62	FOR 1/8" OR 3/16" CABLE	3.56"	1/8" Or 3/16"
R-12-32	FOR 3/8" CABLE	2.03"	3/8"

CA-STUD THREADED SWAGING STUD



Item #	Description	Cable	D
SATIN STAINLESS STEEL 316			
CAS-4	FOR 1/8" CABLE	1/8"	.250"
CAS-6	FOR 3/16" CABLE	3/16"	.250"
CAS-8	FOR 1/4" CABLE	1/4"	.375"
CAS-12	FOR 3/8" CABLE	3/8"	.500"

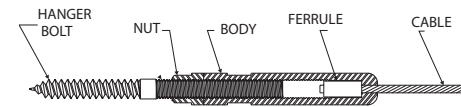
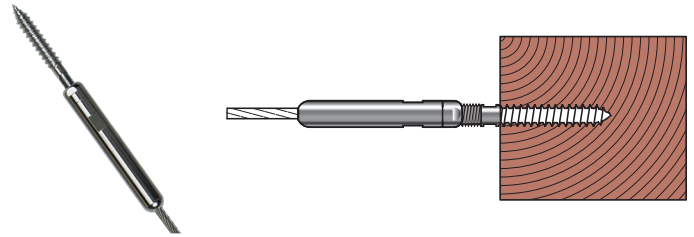
CA-FERRULE SWAGING FERRULE



Item #	Description	Cable
SATIN STAINLESS STEEL 316		
CAF-4	FOR 1/8" CABLE	1/8"
CAF-6	FOR 3/16" CABLE	3/16"
CAF-8	FOR 1/4" CABLE	1/4"
CAF-10	FOR 5/16" CABLE	5/16"

AJB ADJUST-A-BODY® WITH HANGER BOLT TENSIONER

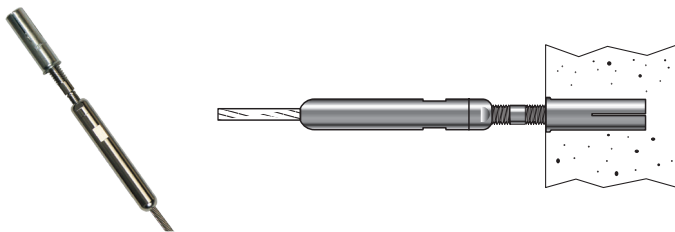
Use with F-4 ferrule for 1/8" cable and with F-6 ferrule with 3/16" cable.



Item #	Description
1/8" OR 3/16"	
A-JB6	FOR 1/4" CABLE
1/4"	
A-JB8	FOR 1/8" OR 3/16" CABLE

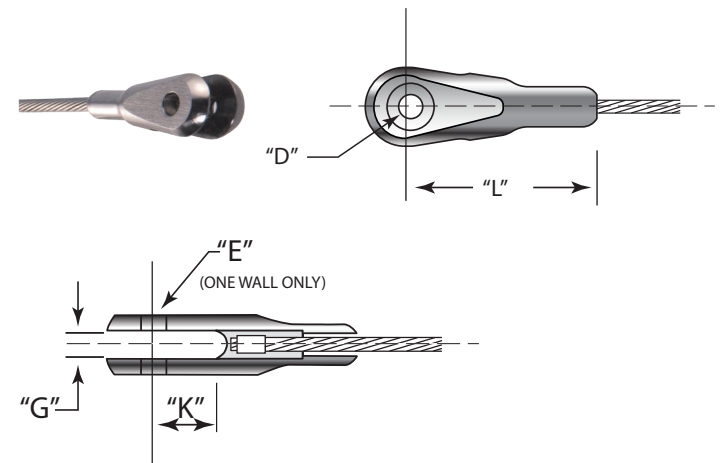
A-JAB6 ADJUST-A-BODY WITH CONCRETE ANCHOR BOLT TENSIONER

Use with F-4 ferrule for 1/8" cable and with F-6 ferrule with 3/16" cable.



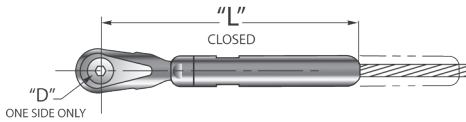
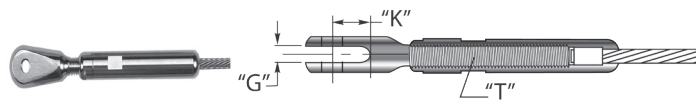
Item #	Description	Cable
SATIN STAINLESS STEEL 316		
CA-JAB6	FOR 1/8" OR 3/16" CABLE	1/8" Or 3/16"

CAF-J FIXED JAW



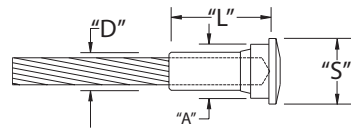
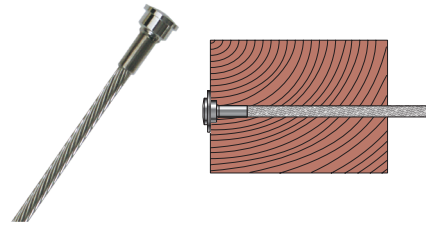
Item #	Description	Cable	D	G	K	L
SATIN STAINLESS STEEL 316						
F-J62	FOR 1/8" OR 3/16" CABLE	1/8" Or 3/16"	1/4-28	.26"	.56"	1.75"
F-J82	FOR 1/4" CABLE	1/4"	3/8-24	.313"	.75"	2.12"
F-J122	FOR 5/16" CABLE	5/16"	3/8-24	.348"	.87"	2.25"

A-J ADJUST-A-JAW TENSIONER



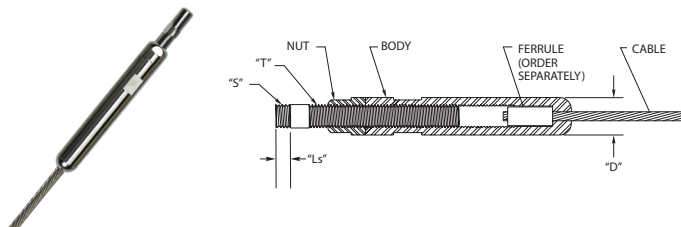
Item #	Description	Cable	D	G	K	L	T
SATIN STAINLESS STEEL 316							
A-J62	FOR 1/8" OR 3/16" CABLE	1/8" Or 3/16"	1/4-28	.26"	.56"	4-3/16"	5/16-24
A-J82	FOR 1/4" CABLE	1/4"	3/8-24	.313"	.75"	4-7/8"	7/16-20
A-J122	FOR 5/16" CABLE	5/16"	3/8-24	.348"	.87"	9/16-18	--

RF INVISIWARE RADIUS FERRULE



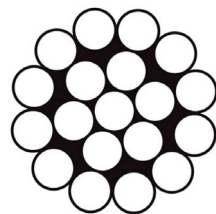
Item #	Description	Cable	A	D	L	S
SATIN STAINLESS STEEL 316						
RF-4	FOR 1/8" CABLE	1/8"	.437"	.25"	.75"	.537"
RF-6	FOR 3/16" CABLE	3/16"	.437"	.25"	.75"	.537"
RF-8	FOR 1/4" CABLE	1/4"	.531"	.375"	1"	.646"
RF-12	FOR 3/8" CABLE	3/8"	.687"	.5"	1"	.865"

A-JTB ADJUST-A-BODY WITH THREADED BOLT TENSIONER (FOR METAL POSTS ONLY)



Item #	Description	Cable	D	Ls	S	T
SATIN STAINLESS STEEL 316						
A-JTB6	FOR 1/8" OR 3/16" CABLE	1/8" Or 3/16"	.490"	.375"	5/16-24	5/16-24 L.H.
A-JTB8	FOR 1/4" CABLE	1/4"	.617"	.375"	5/16-24	7/16-20 L.H.

CACR CABLE/WIRE ROPE IN 316 GRADE STAINLESS STEEL



Item #	Description	Cable
STAINLESS STEEL 316 POWDER COATED BLACK		
49BK-CR018	1/8" THICK BLACK OXIDE CABLE	1/8"
SATIN STAINLESS STEEL 316		
CR018	1/8" THICK CABLE	1/8"
CR316	3/16" THICK CABLE	3/16"
CR014	1/4" THICK CABLE	1/4"
CR516	5/16" THICK CABLE	5/16"
CR038	3/8" THICK CABLE	3/8"

KITS

CA-C7HIT CABLE RAIL CUTTER FOR 1/8" CABLE



CA-C9 CABLE RAIL CUTTER FOR 1/8", 3/16" & 1/4" CABLE



PT-250 CABLE PRE-TENSIONER



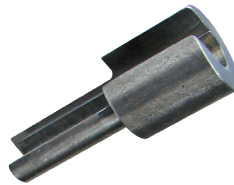
VGJ-PT PRE-TENSIONER PLIERS

Clamp on to cable while tightening end fitting to keep the cable from spinning.



Item #	Description
█ 1/8"	
VGJ-PT4C	Pre-Tensioner Pliers for 1/8" Cable
█ 3/16"	
VGJ-PT6C	Pre-Tensioner Pliers for 3/16" Cable

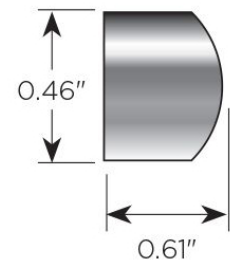
CARL CABLE RELEASE TOOL



Item #	Description
█ 1/8"	
PL-KEY	Cable Release Tool Cable-1/8"

CAP/S/S END CAP FOR CABLE TENSIONING NUT

Use with CA102 series cable kits.



Item #	Description
█ SATIN STAINLESS STEEL 316	
CA-CAP/S/S	End Cap

CR3213 RUBBER GROMMETS (1/8" CABLE)



G-C CABLE GROMMETS (ROUND TUBES)



Item #	Description	Pipe Schedule	Position
1/8" OR 3/16"			
G-C6-1	Cable Grommet for 1/8" or 3/16" Cable	Schedule 40	Center
GI-C6-1	Cable Grommet for 1/8" or 3/16" Cable	Schedule 40	Stair
1/4"			
G-C8-1	Cable Grommet for 1/4" Cable	Schedule 40	Center
GI-C8-1	Cable Grommet for 1/4" Cable.	Schedule 40	Stair

CR322 CABLE RAIL LACING NEEDLE



Item #	Description
1/8"	
CR3221	(3221) Cable Rail Lacing Needle for 1/8" Cable
3/16"	
CR3222	(3222) Cable Rail Lacing Needle for 3/16" Cable
1/4"	
CR3223	(3223) Cable Rail Lacing Needle for 1/4" Cable

CA-PT STAINLESS STEEL PROTECTOR TUBE



Item #	Description
SATIN STAINLESS STEEL 316	
CS-Tube	Stainless Steel Protector Tube For 1/8" or 3/16" Cable Rail

CA7/16SAE STAINLESS STEEL WASHERS



Item #	Description
SATIN STAINLESS STEEL 316	
49-7/16SAE	Stainless Steel Washers

CABW BEVELED WASHERS FOR CABLE RAILING STAIRS



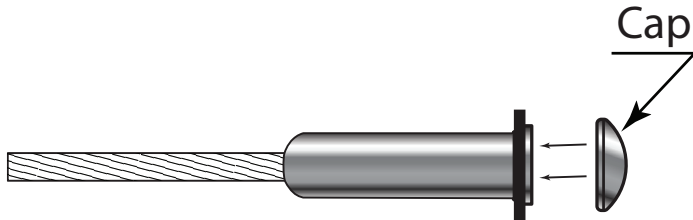
Item #	Description
100 AND 101 SERIES	
CABW.250-32	Beveled washers for Cable Railing Stairs Type 100 and 101 Series. Fits the Threaded Stud side. (Stainless Steel 316)
200 SERIES METAL POSTS	
CABW32-6	Beveled washers for Cable Railing Stairs Type 200 Series Metal Posts. Fits Invisiware side or Pull-Lock side. (Stainless Steel 316)
200 SERIES WOOD POSTS	
CABW32-6W	Beveled washers for Cable Railing Stairs Type 200 Series Wood Posts (Beveled Washer and Flat Washer). Fits Invisiware side or Pull-Lock side. (Stainless Steel 316)

CABW38 BEVELED WASHER FOR 37-39 DEGREE SLOPES



Item #	Description
200 SERIES METAL POSTS	
CABW38-6	Beveled Washer for Flat Surfaces and 37-39 Degree Slopes

PULCOV S/S DOMED PUSH CAP FOR 6MM SHAFT



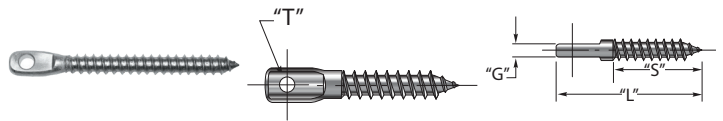
Item #	Description
SATIN STAINLESS STEEL 316	
CAPULCOV	S/S Domed Push Cap for 6mm shaft

RM38 CONCRETE ANCHORS FOR ADJUST-A-BODY ANCHOR BOLT



Item #	Description	Cable
MILLED STAINLESS STEEL 303		
SRM-38	Stainless Steel 303 Concrete Anchors. Use with CA-JAB8	1/8" Or 3/16"
SRM-12	Stainless Steel 303 Concrete Anchors. Use with CA-JAB8	1/4"
ZINC		
RM-38	Zinc Plated Concrete Anchors. Use with CA-JAB8	1/8" Or 3/16"
RM-12	Zinc Plated Concrete Anchors. Use with CA-JAB8	1/4"

CALE-L EXTENDED LAG EYE



Item #	Description	Cable	G	L	S	T
SATIN STAINLESS STEEL 316						
LE-6L	Extended Lag Eye Stainless Steel 316. For 1/8" Cable Or 3/16" Cable	1/8" Or 3/16"	.232"	3.73"	3"	.256"

CASC MOUNTING SCREW



Item #	Description	Cable
SATIN STAINLESS STEEL 316		
SC-6	Mounting Screw Stainless Steel 316. 1/4-28 Thread. Use with hardware for 1/8" Or 3/16" Cable.	1/8" Or 3/16"
SC-8	Mounting Screw Stainless Steel 316. 3/8-24 Thread. Use with hardware for 1/4" Or 5/16" Or 3/8" Cable.	1/4" Or 5/16" Or 3/8"

CAHB-N HANGER BOLT DRIVER (LIGHT DUTY)

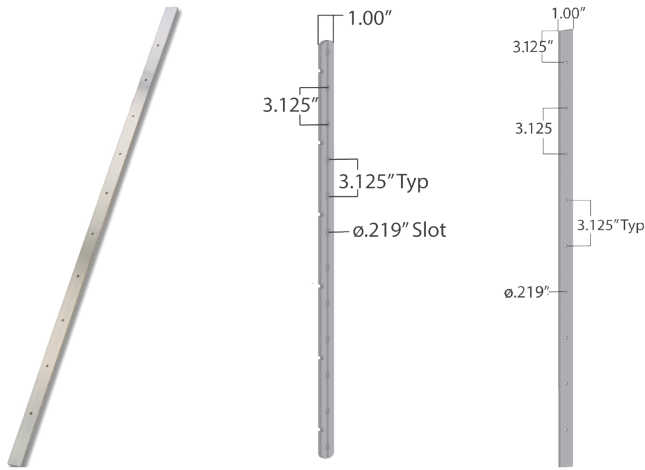


CAHB-6 HANGER BOLT DRIVER (HEAVY DUTY)



CA4900 CABLE BRACE

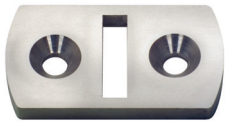
1/4" x 1", for use with 1/8" cable. Use with Fastening Plate item# 49-CA511



Item #	Description	Height	Position
SATIN STAINLESS STEEL 316			
49-CA4900/36	CABLE BRACE	36"	Level
49-CA4900/S/36	CABLE BRACE	36"	Stair
49-CA4900/42	CABLE BRACE	42"	Level
49-CA4900/S/42	CABLE BRACE	42"	Stair

CA511 CABLE BRACE FASTENING PLATE

For mounting the stainless steel cable brace on wood frames to the top or bottom rail/deck.



Item #	Description
SATIN STAINLESS STEEL 316	
49-CA511	Cable Brace Fastening Plate, Satin Stainless Steel 316

CAE-ZCLEANKIT STAINLESS STEEL CLEANER AND PROTECTANT



CLOSETS





BuyRailings
ARCHITECTURAL &
INDUSTRIAL RAILINGS

METAL BRACKETS & RODS

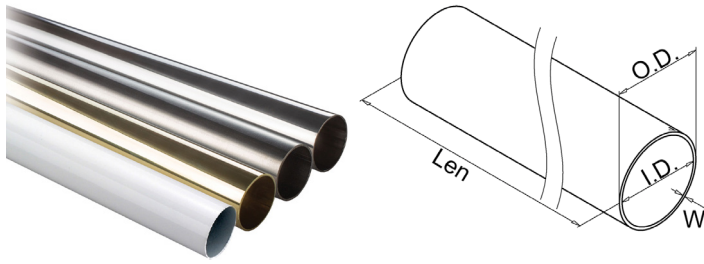
Behind every great closet is the hardware – the racks and rods that stack and hold up your attire in style. Our listings include all of the necessary components that you need to build the closet of your dreams. Crafted from premium metals with plated and hand-brushed finishes that ensure long-lasting and reliable usage that are available in a variety of shapes, sizes, and designs. Our versatile solutions include shower rod kits, too. The hardware is simple, but the possibilities are endless.

A106 SATIN STAINLESS STEEL CLOSET ROD



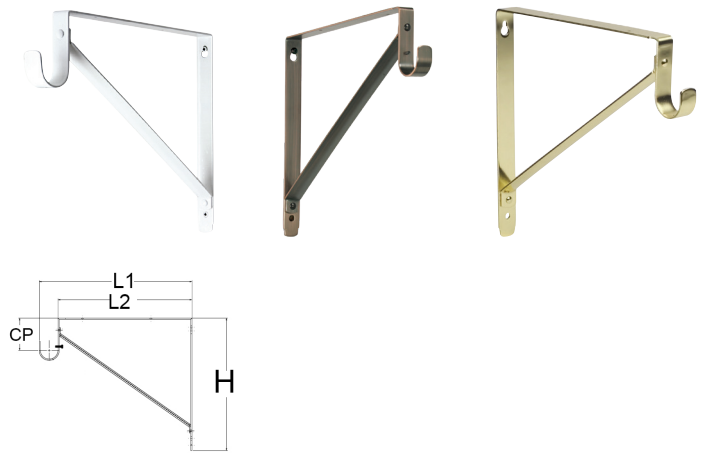
A106 1-5/16" OUTSIDE DIAMETER LIDO CLOSET ROD

Load with 8150 support bracket listed in individual part descriptions.



Item #	Description	Length	Tubing Size	O.D.	I.D.	W	Len
ALUMINUM BLACK ANODIZED							
LB-50BK-A106/4	4 FT Closet Rod 1-5/16" OD	4FT	1-5/16" OD	1-5/16"	1.049"	.133"	4'
LB-50BK-A106/6	Load 210 lbs with 8150 support	6FT	1-5/16" OD	1-5/16"	1.049"	.133"	6'
LB-50BK-A106/8	Load 160 lbs with 8150 support	8FT	1-5/16" OD	1-5/16"	1.049"	.133"	8'
ALUMINUM SATIN ANODIZED							
LB-50-A106/4	4 FT Closet Rod 1-5/16" OD	4FT	1-5/16" OD	1-5/16"	1.049"	.133"	4'
LB-50-A106/6	Load 210 lbs with 8150 support	6FT	1-5/16" OD	1-5/16"	1.049"	.133"	6'
LB-50-A106/8	Load 160 lbs with 8150 support	8FT	1-5/16" OD	1-5/16"	1.049"	.133"	8'
CLEAR COAT BRASS							
LB-02-A106/6	Load 382 lbs w/o support and 455 lbs with 8150 support	6FT	1-5/16" OD	1-5/16"	1-15/64"	.08"	6'
LB-02-A106/8	Load 306 lbs w/o support and 323 lbs with 8150 support	8FT	1-5/16" OD	1-5/16"	1-15/64"	.08"	8'
POLISHED CHROME							
LB-10-A106/6	Load 382 lbs w/o support and 455 lbs with 8150 support	6FT	1-5/16" OD	1-5/16"	1-15/64"	.08"	6'
LB-10-A106/8	Polished Chrome 8 FT Closet Rod 1-5/16" OD	8FT	1-5/16" OD	1-5/16"	1-15/64"	.08"	8'
LB-10-A106/12	Polished Chrome 12 FT Closet Rod 1-5/16" OD	12FT	1-5/16" OD	1-5/16"	1-15/64"	.08"	12'
SATIN STAINLESS STEEL 304							
LB-44-A106/6	Load 299 lbs w/o support and 340 lbs with 8150 support	6FT	1-5/16" OD	1-5/16"	1-1/4"	.06"	6'
LB-44-A106/8	Load 217 lbs w/o support and 264 lbs with 8150 support	8FT	1-5/16" OD	1-5/16"	1-1/4"	.06"	8'
WHITE POWDER COAT STEEL							
LB-26-A106/6	Load 288 lbs w/o support and 340 lbs with 8150 support	6FT	1-5/16" OD	1-5/16"	1-15/64"	.06"	6'
LB-26-A106/8	Load 306 lbs w/o support and 323 lbs with 8150 support	8FT	1-5/16" OD	1-5/16"	1-15/64"	.06"	8'

8150A LIDO SHELF & ROD BRACKET



Item #	Description	Tubing Size	L1	L2	H	CP
OIL RUBBED BRONZE						
LB-07-8150A	Shelf and Rod Bracket	1-5/16" OD	12.50"	11.00"	10.88"	2.65"
CLEAR COAT BRASS						
LB-02-8150A	Shelf and Rod Bracket	1-5/16" OD	12.50"	11.00"	10.88"	2.65"
POLISHED CHROME						
LB-10-8150A	Shelf and Rod Bracket	1-5/16" OD	12.50"	11.00"	10.88"	2.65"
SATIN (BRUSHED) NICKEL						
LB-14-8150A	Shelf and Rod Bracket	1-5/16" OD	12.50"	11.00"	10.88"	2.65"
WHITE POWDER COAT STEEL						
LB-26-8150A	Shelf and Rod Bracket	1-5/16" OD	12.50"	11.00"	10.88"	2.65"

8150A BRACKET



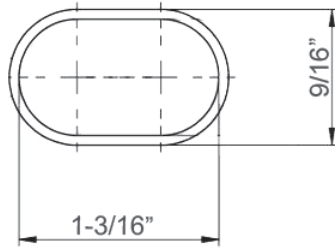
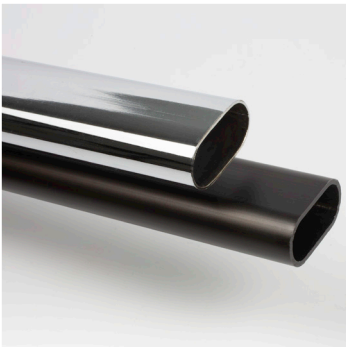
CLOSETS

505SET 1-5/16" LIDO CLOSET FLANGE SET



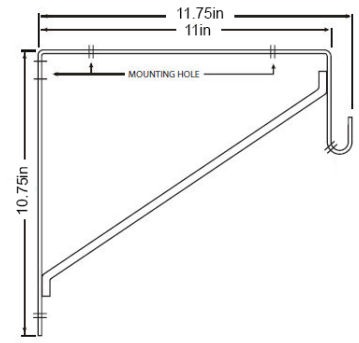
Item #	Description	Tubing Size	H	D
OIL RUBBED BRONZE				
LB-07-505SET	Flange Set	1-5/16" OD	.88"	1.33"
POLISHED BRASS				
LB-00-505SET	Flange Set	1-5/16" OD	.88"	1.33"
POLISHED CHROME				
LB-10-505SET	Flange Set	1-5/16" OD	.88"	1.33"
SATIN (BRUSHED) NICKEL				
LB-14-505SET	Flange Set	1-5/16" OD	.88"	1.33"
WHITE POWDER COAT STEEL				
LB-26-505SET	Flange Set	1-5/16" OD	.88"	1.33"

EP830 OVAL CLOSET ROD



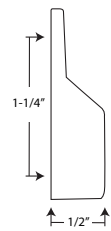
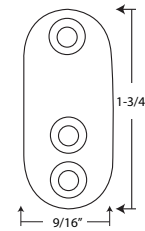
Item #	Description
ALUMINUM BRONZE	
EP830-8-ORB	8FT Oval Closet Rod Oil Rubbed Bronze 1 mm x15mm X 30 mm
POLISHED CHROME	
EP830-8-PC	8FT Oval Closet Rod Polished Chrome 1 mm x15mm X 30 mm

EP848 SHELF & ROD BRACKET FOR OVAL CLOSET RODS



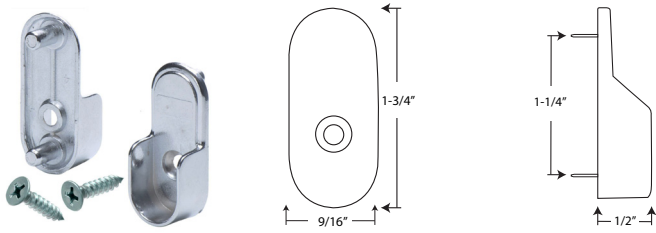
Item #	Description
OIL RUBBED BRONZE	
EP848-ORB	Shelf and Rod Bracket - for Oval Rod
POLISHED CHROME	
EP848-PC	Shelf and Rod Bracket - for Oval Rod

EP840 OPEN FLANGE FOR OVAL ROD NO MOUNTING PINS



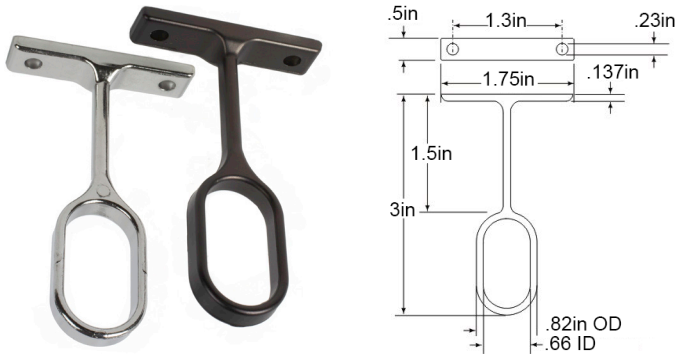
Item #	Description
OIL RUBBED BRONZE	
EP840-ORB	Open Flange for Oval Rod
POLISHED CHROME	
EP840-PC	Open Flange for Oval Rod

EP841 OPEN FLANGE FOR OVAL ROD WITH MOUNTING PINS



Item #	Description
OIL RUBBED BRONZE	
EP841-ORB	Open Flange for Oval Rod
POLISHED CHROME	
EP841-PC	Open Flange for Oval Rod

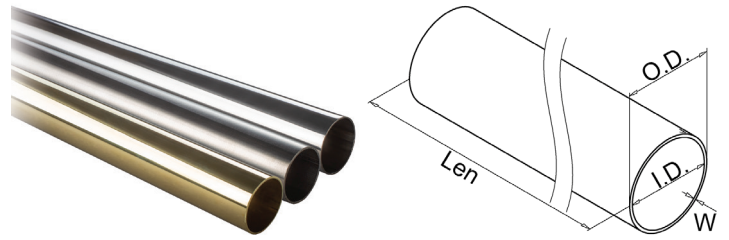
EP842 CENTER SUPPORT OVAL ROD



Item #	Description
OIL RUBBED BRONZE	
EP842-ORB	Center Support for Oval Rod
POLISHED CHROME	
EP842-PC	Center Support for Oval Rod

A110 1-1/2" OD X 0.05" TUBING

Round tube that fits with our selection of flush and ball fittings.



Item #	Description	Tubing Size	O.D.	I.D.	W	LEN
POLISHED BRASS						
00-A110	1-1/2" OD Tubing	1-1/2" OD	1-1/2"	1.4"	0.05"	16 FT
POLISHED STAINLESS STEEL 304						
40-A110	1-1/2" OD Tubing	1-1/2" OD	1-1/2"	1.4"	0.05"	20 FT
SATIN STAINLESS STEEL 304						
44-A110	1-1/2" OD Tubing	1-1/2" OD	1-1/2"	1.4"	0.05"	20 FT

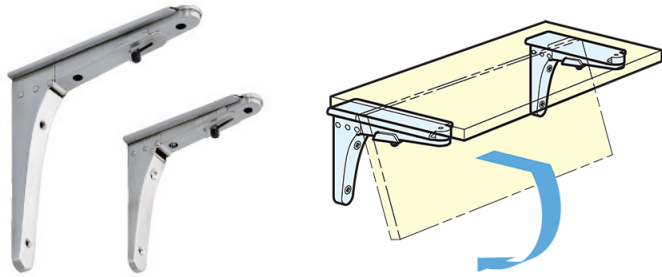
506SET 1-1/2" LIDO CLOSET FLANGE SET



Item #	Description	Tubing Size	H	D
POLISHED BRASS				
LB-00-506SET	Flange Set	1.5" OD (0.05" Wall)	.88"	1.52"
POLISHED CHROME				
LB-10-506SET	Flange Set	1.5" OD (0.05" Wall)	.88"	1.52"

CLOSETS

SG-BOS FOLDING BRACKET WITH STOPPER



Item # Description Length

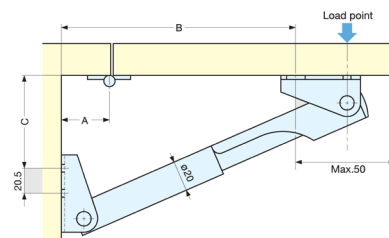
SATIN STAINLESS STEEL 304

SG-BOS-180	Folding Bracket - Load Capacity 88 lbs	7-1/8"
SG-BOS-240	Folding Bracket - Load Capacity 72 lbs	9-7/16"

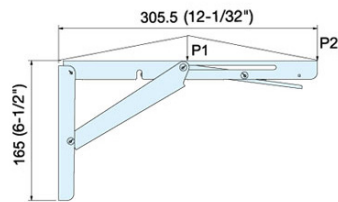
SG-388 SUGATSUNE FOLDING BRACKET



Item No.	A	B	C	D	E
38820-25	25 ~ 30	161	14	114	180
38830-25	25 ~ 39	252	45	168	275.9
38845-25	25 ~ 50	402	87	258.5	430.8
38860-25	25 ~ 40	549	137	368.5	585.8



SG-EB FOLDING BRACKET HIGH LOAD



Item # Description

POLISHED STAINLESS STEEL 304

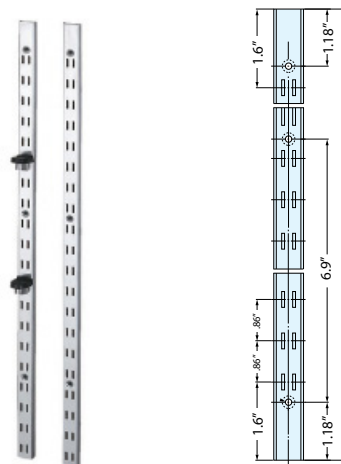
SG-EB-303/EP	Folding Bracket - Load Capacity 330 lbs
--------------	---

Item # Description Length

ALUMINUM SATIN ANODIZED

SG-38820-25	Folding Bracket	7"
SG-38830-25	Folding Bracket	11"
SG-38845-25	Folding Bracket	17"
SG-38860-25	Folding Bracket	23"

SG-SPH-1820G SHELF STANDARD

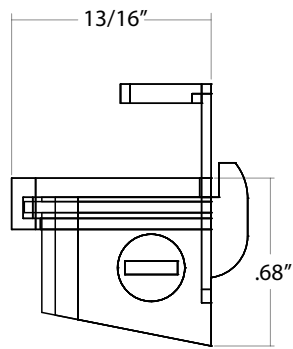


Item # Description Length

SATIN STAINLESS STEEL 304

SG-SPH-1820	Shelf Standard	6FT
-------------	----------------	-----

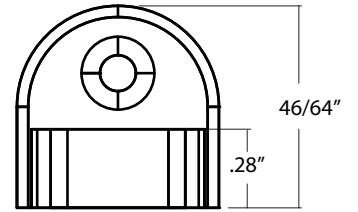
SG-SPH-5G SHELF SUPPORT (W/HOLDER) FOR SPH-1820



Item #	Description
SG-SPH-5	Shelf Support w/Holder. Glass Thickness 4-8mm (5/32"-5/16")

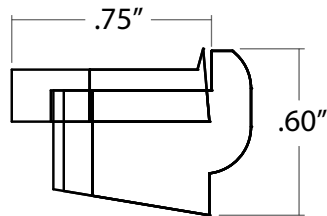
SG-SP-18EG END CAP

For shelf standard SPH-1820.



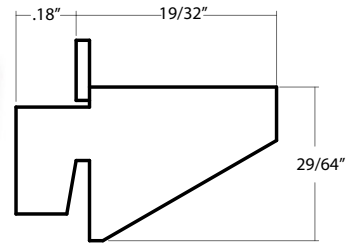
Item #	Description	Color
PLASTIC		
SG-SP-18E/BLK	END CAP FOR SPH-1820	Black
SG-SP-18E/WHT	END CAP FOR SPH-1820	White

SG-SPH-20G SHELF SUPPORT WITH RUBBER PAD FOR SPH-1820



Item #	Description
SG-SPH-20	Shelf Support with Rubber Pad for SPH-1820

SG-SPH-15G SHELF SUPPORT FOR SPH-1820



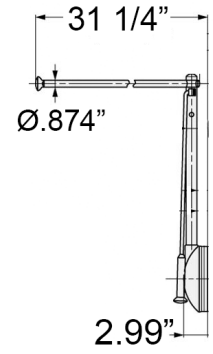
Item #	Description
SATIN STAINLESS STEEL 304	
SG-SPH-15	SPH-15 Shelf Support got SPH-1820 in 304 Grade Stainless Steel

E103 LIDO DESIGN EXTEND & LOCK CLOSET ROD



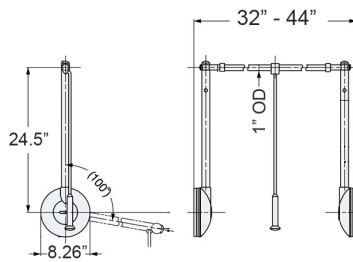
Item #	Description	Length	Tubing Size
SATIN STAINLESS STEEL 304			
LB-44-E103/2030	Extend & Lock Adjustable Rod	20"-30"	1" OD
LB-44-E103/3048	Extend & Lock Adjustable Rod	30"-48"	1" OD
LB-44-E103/72120	Extend & Lock Adjustable Rod	72"-120"	1" OD
LB-44-E103/4872	Extend & Lock Adjustable Rod	48"-72"	1" OD
WHITE POWDER COAT STEEL			
LB-26-E103/2030	Extend & Lock Adjustable Rod	20"-30"	1" OD
LB-26-E103/3048	Extend & Lock Adjustable Rod	30"-48"	1" OD
LB-26-E103/72120	Extend & Lock Adjustable Rod	72"-120"	1" OD
LB-26-E103/4872	Extend & Lock Adjustable Rod	48"-72"	1" OD

SG-TAS-800 SINGLE TYPE CLOSET ROD LIFT MECHANISM



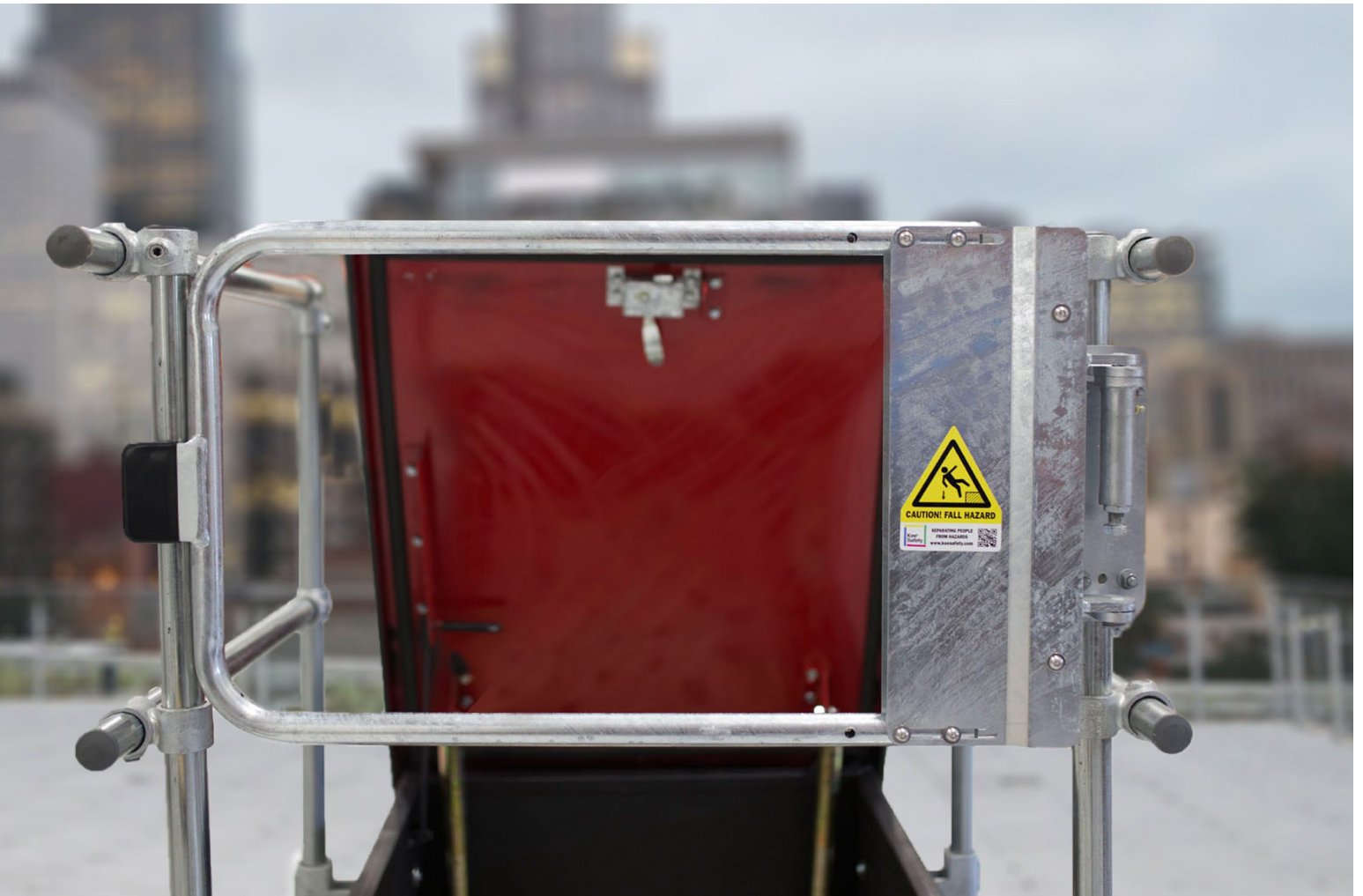
Item #	Description	Position
UMBER		
SG-TAS-800L/U	Single Closet Rod Mechanism - Left Hand	Left
SG-TAS-800R/U	Single Closet Rod Mechanism - Right Hand	Right
GRAY		
SG-TAS-800L/G	Single Closet Rod Mechanism - Left Hand	Left
SG-TAS-800R/G	Single Closet Rod Mechanism - Right Hand	Right

TAW-1200 CLOSET ROD LIFT



Item #	Description
GRAY	
TAW-1200-GR	Tallman Double Closet Rod Lift

SAFETY



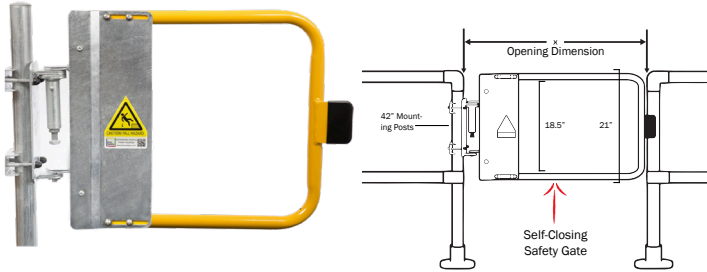


BuyRailings
ARCHITECTURAL &
INDUSTRIAL RAILINGS

GATES

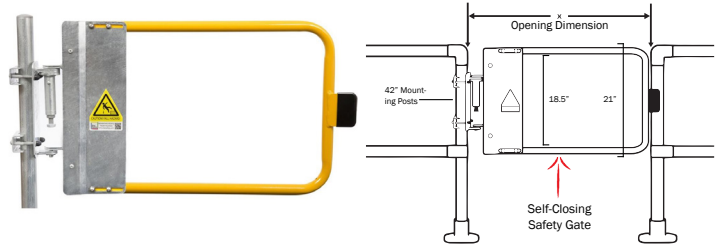
Kee Gate offers permanent protection for any openings, ladder or stair access points, roof hatches and other restricted areas, where regular access for maintenance and inspection is required. Kee Gates are specifically designed to provide a "retro-fit" solution to existing fixed structures where opening protection is required. The U-bolt connection allows the gate to be connected to posts from 33.7 – 48.3mm (1" – 1.5" US) in diameter.

SCGA02 UNIVERSAL SELF CLOSING SAFETY GATE - YELLOW



Item #	Description
GALVANIZED STEEL	
22-SCGA02/1544	(SGNA500GV) Universal Self Closing Safety Gate
GALVANIZED STEEL YELLOW POWDER COAT	
22YL-SCGA02/1544	(SGNA500PC) Universal Self Closing Safety Gate

SCGATE SELF-CLOSING SAFETY GATE



Item #	Description	Length
GALVANIZED STEEL		
22-SCGATE/18	(SGNA018GV) 18" Gate (Range Min 16.5" - Max 20")	18"
22-SCGATE/21	(SGNA021GV) 21" Gate (Range Min 19.5" - Max 23")	21"
22-SCGATE/24	(SGNA024GV) 24" Gate (Range Min 22.5" - Max 26")	24"
22-SCGATE/27	(SGNA027GV) 27" Gate (Range Min 25.5" - Max 29")	27"
22-SCGATE/30	(SGNA030GV) 30" Gate (Range Min 28.5" - Max 32")	30"
22-SCGATE/33	(SGNA033GV) 33" Gate (Range Min 31.5" - Max 35")	33"
22-SCGATE/36	(SGNA036GV) 36" Gate (Range Min 34.5" - Max 38")	36"
22-SCGATE/40	(SGNA040GV) 40" Gate (Range Min 38.5" - Max 42")	40"
22-SCGATE/48	(SGNA048GV) 48" Gate (Range Min 46.5" - Max 48")	48"
GALVANIZED STEEL YELLOW POWDER COAT		
22YL-SCGATE/18	(SGNA018PC) 18" Gate (Range Min 16.5" - Max 20")	18"
22YL-SCGATE/21	(SGNA021PC) 21" Gate (Range Min 19.5" - Max 23")	21"
22YL-SCGATE/24	(SGNA024PC) 24" Gate (Range Min 22.5" - Max 26")	24"
22YL-SCGATE/27	(SGNA027PC) 27" Gate (Range Min 25.5" - Max 29")	27"
22YL-SCGATE/30	(SGNA030PC) 30" Gate (Range Min 28.5" - Max 32")	30"
22YL-SCGATE/33	(SGNA033PC) 33" Gate (Range Min 31.5" - Max 35")	33"
22YL-SCGATE/36	(SGNA036PC) 36" Gate (Range Min 34.5" - Max 38")	36"
22YL-SCGATE/40	(SGNA040PC) 40" Gate (Range Min 38.5" - Max 42")	40"
22YL-SCGATE/48	(SGNA048PC) 48" Gate (Range Min 46.5" - Max 48")	48"

SCGATE SELF-CLOSING SAFETY GATE

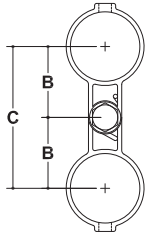
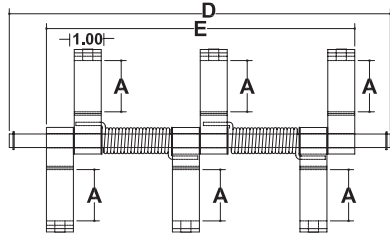


H51042 GATE HINGE & LATCH ASSEMBLY



Item #	Description	Pipe Size
ALUMINUM MAGNESIUM SST SCREWS		
52095	For 2" IPS	2"
ALUMINUM MAGNESIUM		
53005	For 1-1/4" IPS	1-1/4"
51042	For 1-1/2" IPS	1-1/2"

76 GATE HINGE

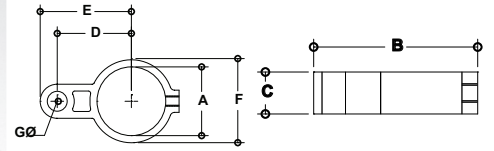


Item #	Description	Pipe Size	A	B	C	D
--------	-------------	-----------	---	---	---	---

ALUMINUM MAGNESIUM

07670	(76-7) For 1-1/4" IPS	1-1/4"	1.68"	2.09"	4.18"	1.00"
08670	(76-8) For 1-1/2" IPS	1-1/2"	1.93"	2.09"	4.18"	1.00"
09670	(76-9) For 2" IPS	2"	2.40"	2.25"	4.50"	1.00"

78I GATE HINGE FEMALE EXTRUSION

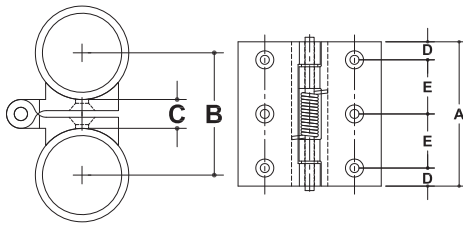


Item #	Description	Pipe Size	A	B	C	D	E	F
--------	-------------	-----------	---	---	---	---	---	---

ALUMINUM MAGNESIUM

07690	(78I-7) For 1-1/4" IPS	1-1/4"	1.68"	3.78"	1.00"	2.09"	2.57"	2.08"
08690	(78I-8) For 1-1/2" IPS	1-1/2"	1.93"	3.91"	1.00"	2.09"	2.57"	2.37"

H200 GATE HINGE



Item #	Description	Pipe Size	A	B	C	D	E	F
--------	-------------	-----------	---	---	---	---	---	---

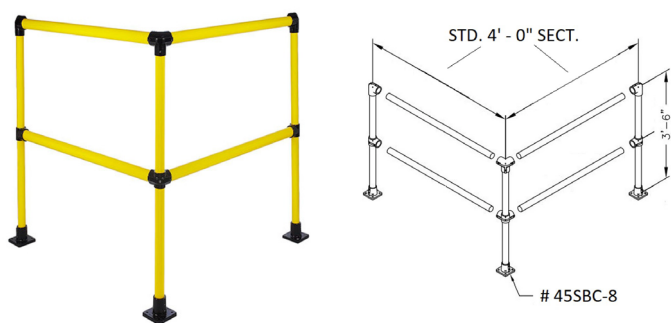
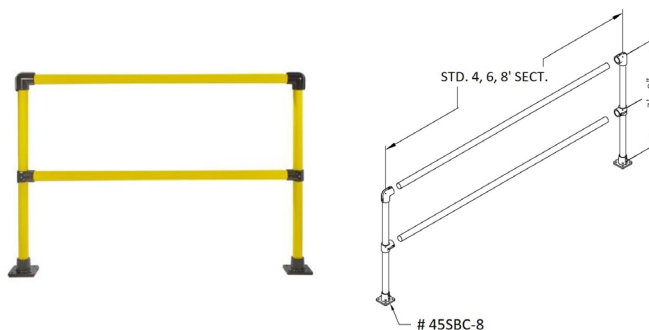
ALUMINUM MAGNESIUM

53416	(200-7) For 1-1/4" IPS	1-1/4"	4.00"	2.50"	0.59"	0.50"	1.50"	1/4-20
51416	(200-8) For 1-1/2" IPS	1-1/2"	4.00"	2.25"	0.57"	0.50"	1.50"	1/4-20

YELLOW AND BLACK SAFETY RAILING

502 STRAIGHT KIT DOUBLE LINE RAILING

501 CORNER KIT DOUBLE LINE RAILING



Item #	Description	Length
ALUMINUM SATIN ANODIZED		
50-50150	8ft Corner Kit in 1-1/2"IPS (2 x 4FT Lengths)	8FT
ALUMINUM BRIGHT DIP ANODIZED		
52-50150	8ft Corner Kit in 1-1/2"IPS (2 x 4FT Lengths)	8FT
ALUMINUM MILL FINISH		
50150	8ft Corner Kit in 1-1/2"IPS (2 x 4FT Lengths)	8FT
YELLOW POWDER COAT STEEL		
50121	8ft Corner Kit in 1-1/2"IPS (2 x 4FT Lengths)	8FT

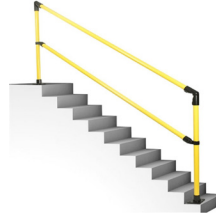
Item #	Description	Length
ALUMINUM SATIN ANODIZED		
50-50220	4FT Straight Kit in 1-1/2" IPS	4FT
50-50230	6FT Straight Kit in 1-1/2" IPS	6FT
50-50240	8FT Straight Kit in 1-1/2" IPS	8FT
ALUMINUM BRIGHT DIP ANODIZED		
52-50220	4FT Straight Kit in 1-1/2" IPS	4FT
52-50230	6FT Straight Kit in 1-1/2" IPS	6FT
52-50240	8FT Straight Kit in 1-1/2" IPS	8FT
ALUMINUM MILL FINISH		
50220	4FT Straight Kit in 1-1/2" IPS	4FT
50230	6FT Straight Kit in 1-1/2" IPS	6FT
50240	8FT Straight Kit in 1-1/2" IPS	8FT
YELLOW POWDER COAT STEEL		
50221	4FT Straight Kit in 1-1/2" IPS	4FT
50231	6FT Straight Kit in 1-1/2" IPS	6FT
50241	8FT Straight Kit in 1-1/2" IPS	8FT

503-E EXTENSION KIT DOUBLE LINE RAILING



Item #	Description	Length
ALUMINUM SATIN ANODIZED		
50-50320	4FT Extension Kit in 1-1/2" IPS	4FT
50-50330	6FT Extension Kit in 1-1/2" IPS	6FT
50-50340	8FT Extension Kit in 1-1/2" IPS	8FT
ALUMINUM BRIGHT DIP ANODIZED		
52-50320	4FT Extension Kit in 1-1/2" IPS	4FT
52-50330	6FT Extension Kit in 1-1/2" IPS	6FT
52-50340	8FT Extension Kit in 1-1/2" IPS	8FT
ALUMINUM MILL FINISH		
50320	4FT Extension Kit in 1-1/2" IPS	4FT
50330	6FT Extension Kit in 1-1/2" IPS	6FT
50340	8FT Extension Kit in 1-1/2" IPS	8FT
YELLOW POWDER COAT STEEL		
50321	4FT Extension Kit in 1-1/2" IPS	4FT
50331	6FT Extension Kit in 1-1/2" IPS	6FT
50341	8FT Extension Kit in 1-1/2" IPS	8FT

502-S STAIR KIT DOUBLE LINE RAILING



Item #	Description	Length
ALUMINUM SATIN ANODIZED		
50-50250	8FT Stair Kit in 1-1/2" IPS	8FT
ALUMINUM BRIGHT DIP ANODIZED		
52-50250	8FT Stair Kit in 1-1/2" IPS	8FT
ALUMINUM MILL FINISH		
50250	8FT Stair Kit in 1-1/2" IPS	8FT
YELLOW POWDER COAT STEEL		
50251	8FT Stair Kit in 1-1/2" IPS	8FT

PORTABLE ROOF FALL PROTECTION

Safeguard your employees and abolish the danger of potential falls with our OSHA-compliant rooftop guardrail system. Its unique, non-penetrating design uses 108-pound cast iron bases installed in a run with 90-degree returns on each end. This combined mass and the geometry of the installation creates roof edge protection that's better than intermediate-counterweight handrail systems, which create potential tripping hazards. It's portable, easy to install, meets OSHA regulations and can even be a permanent solution.

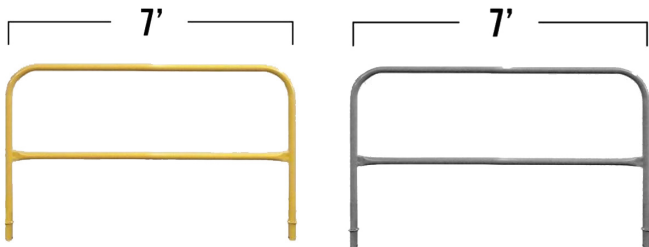
220 PORTABLE FALL PROTECTION BASE PLATE



PGRAIL PORTABLE GUARD RAILING

GALVANIZED AND POWDERCOATED YELLOW

GALVANIZED



Item #	Description	Length
GALVANIZED STEEL		
22-PGRAIL/2	Guard Rail	2FT
22-PGRAIL/3	Guard Rail	3FT
22-PGRAIL/4	Guard Rail	4FT
22-PGRAIL/5	Guard Rail	5FT
22-PGRAIL/6	Guard Rail	6FT
22-PGRAIL/7	Guard Rail	7FT
22-PGRAIL/8	Guard Rail	8FT
22-PGRAIL/9	Guard Rail	9FT
22-PGRAIL/10	Guard Rail	10FT
GALVANIZED STEEL YELLOW POWDER COAT		
22YL-PGRAIL/2	Guard Rail	2FT
22YL-PGRAIL/3	Guard Rail	3FT
22YL-PGRAIL/4	Guard Rail	4FT
22YL-PGRAIL/5	Guard Rail	5FT
22YL-PGRAIL/6	Guard Rail	6FT
22YL-PGRAIL/7	Guard Rail	7FT
22YL-PGRAIL/8	Guard Rail	8FT
22YL-PGRAIL/9	Guard Rail	9FT
22YL-PGRAIL/10	Guard Rail	10FT

Item #	Description	Pipe Size	D	H
GALVANIZED STEEL				
22-220-7	Round Base Plate	1-1/4" IPS	21.9"	6"
GALVANIZED STEEL YELLOW POWDER COAT				
22YL-220-7	Round Base Plate	1-1/4" IPS	21.9"	6"

PGPIN PIN FOR PORTABLE GUARD RAILING



Item #	Description
GALVANIZED STEEL	
22-PGPIN	Pin

420 TOE BOARD FOR PORTABLE GUARD RAILING - MOBILE RAIL



Item #	Description	Length
GALVANIZED STEEL		
22-420/2	Toe Board	2FT
22-420/3	Toe Board	3FT
22-420/4	Toe Board	4FT
22-420/5	Toe Board	5FT
22-420/6	Toe Board	6FT
22-420/7	Toe Board	7FT
22-420/8	Toe Board	8FT
22-420/9	Toe Board	9FT
22-420/10	Toe Board	10FT

GALVANIZED STEEL YELLOW POWDER COAT		
22YL-420/2	Toe Board	2FT
22YL-420/3	Toe Board	3FT
22YL-420/4	Toe Board	4FT
22YL-420/5	Toe Board	5FT
22YL-420/6	Toe Board	6FT
22YL-420/7	Toe Board	7FT
22YL-420/8	Toe Board	8FT
22YL-420/9	Toe Board	9FT
22YL-420/10	Toe Board	10FT

220-DOLLY TRANSPORTER DOLLY

Transports item# 220 base plate.



Item #	Description
GALVANIZED STEEL YELLOW POWDER COAT	
22YL-220-DOLLY	Transporter Dolly

ACCESSORIES





BuyRailings
ARCHITECTURAL &
INDUSTRIAL RAILINGS

ACCESSORIES

LB-00201 LIDO-WELD ADHESIVE 50 ML



00211 ACTIVATOR 7649 (0.88 OZ) 25 G AEROSOL



CAE-ZCLEANKIT STAINLESS STEEL CLEANER AND PROTECTANT



ST-2310 CITRISURF 2310 - 22 OZ. SPRAY BOTTLE



ST-RR200 RUST RESCUE 200 - QUART



8WS #8 WOOD SCREW



Item #	Description	Length
POLISHED BRASS		
00-8X100WS	#8 x 1" Wood Screw	1"

QS-0680 HEXAGON SOCKET HEAD SCREW COARSE THREAD



Item #	Description	Length
SATIN STAINLESS STEEL 304		
QS-131	Hexagon Socket Head Screw - Coarse Thread	1-3/4"
SATIN STAINLESS STEEL 316		
QS-170	Hexagon Socket Head Screw - Coarse Thread	1-3/4"
QS-171	Hexagon Socket Head Screw - Coarse Thread	2-1/4"
QS-127	Hexagon Socket Head Screw - Coarse Thread	3/4"

**QS-0670 SOCKET FLAT HEAD SCREW
COARSE THREAD**

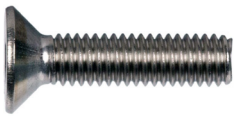


Item #	Description	Length	Width
SATIN STAINLESS STEEL 316			
QS-113	Socket Flat Head Screw - Coarse Thread	3/4"	No.10
QS-122	Socket Flat Head Screw - Coarse Thread	1-1/2"	5/16"
QS-120	Socket Flat Head Screw - Coarse Thread	1"	5/16"

**E0385 STAINLESS STEEL SCREW HEXAGON
SOCKET COUNTERSUNK FLAT HEAD M5 X
63/64"**



1/4-20 1/4-20 FLAT HEAD SCREW



Item #	Description
MILLED STAINLESS STEEL 302	
83512	1/4-20 Flat Head Type F Screw
SATIN STAINLESS STEEL 316	
49-14-20XI-PF	1/4-20 Flat Head Screw

QS-0220 STAINLESS STEEL 316 SCREW



Item #	Description	Length
SATIN STAINLESS STEEL 316		
QS-6	Stainless Steel 316 Screw Length 1"	1"

QS-0511 COARSE THREAD SCREW



Item #	Description	Length	Width
SATIN STAINLESS STEEL 316			
QS-111	No. 10 Coarse Thread Stainless Steel Screw	5/8"	3/8"

QS-0100 HANGER BOLT



Item #	Description	Length
SATIN STAINLESS STEEL 316		
QS-2	M8 Hanger Bolt	2"
QS-86	M8 Hanger Bolt	3.5" (90mm)

5/16-18 HANGER BOLT



Item #	Description	Thread	Length
MILLED STAINLESS STEEL 304			
44-5/16-18-3HB	Hanger Bolt 5/16-18 x 3" in 304 Stainless Steel	5/16"-18	3"

JS600 SET SCREWS



Item #	Description	Width
SATIN STAINLESS STEEL 304		
81312	Width 5/16" x 5/16" Long (Used With 3/4" Hollaender Fittings).	5/16" x 5/16"
81612	Width 3/8" x 7/16" Long (Used With 1" 1-1/4" 1-1/2" and 2" Hollaender Fittings).	3/8" x 7/16"
81913	Width 3/8" x 1-7/16" Long (Interna Rail).	3/8" x 1-7/16"
STEEL		
80312	Zinc Plated Width 5/16" x 5/16" Long. For use with 3/4" Hollaender Fittings.	5/16" x 5/16"
80612	Zinc Plated Steel 3/8-16 x 7/16" long for 1" 1-1/4" 1-1/2" and 2" Hollaender Fittings.	3/8" x 7/16"

KK97 SET SCREWS



Item #	Description	Length	Pipe Size
GALVANIZED STEEL			
KK97-4	For 1/2" IPS Fittings	1/2"	1/2"
KK97-6	For 3/4" IPS and 1" IPS Fittings	1/2"	1"
KK97-7	For Size 1-1/4", 1-1/2", and 2" IPS Fittings	1/2"	2"
KK97-7L1	For Size 1-1/4", 1-1/2", and 2" IPS Fittings	1"	2"
SATIN STAINLESS STEEL 304			
KK97-7S	For Size 1-1/4", 1-1/2", and 2" IPS Fittings	1/2"	2"
KK97-6S	For 3/4" IPS and 1" IPS Fittings	1/2"	1"

QS-CONCRETEANCHOR CONCRETE ANCHOR BOLT



Item #	Description	Length
SATIN STAINLESS STEEL 316		
QS-247	Concrete Anchor Bolt - Size M8	2-61/64"

QS-FHBL FISHER Highbond ANCHOR (LONG)



Item #	Description	Length
SATIN STAINLESS STEEL 316		
QS-60	M12 - Fisher Highbond Anchor	6-3/8"

**QS-CONCRETEANCHOR(SOCKETHEAD)
CONCRETE SOCKET HEAD BOLT**



Item #	Description	Length
SATIN STAINLESS STEEL 316		
QS-519	M8 Concrete Anchor with Socket Head	5-1/8"

CA-C7HIT CABLE RAIL CUTTER FOR 1/8" CABLE



WA-006 3/8" X 5" WEDGE ANCHOR



Item #	Description	Width	Length
SATIN STAINLESS STEEL 304			
44-WA-006	Wedge Anchor	3/8"	5"

CA-C9 CABLE RAIL CUTTER FOR 1/8", 3/16" & 1/4" CABLE



WA-010 1/2" X 5-1/2" WEDGE ANCHOR



Item #	Description	Width	Length
SATIN STAINLESS STEEL 304			
44-WA-010	Wedge Anchor Bolt	1/2"	5-1/2"

MA-325-RN RIVET NUT INSTALLATION TOOL 5/16-18. DOUBLE LEVER TYPE



QS-197 CONFLEX MASONRY SCREW 3/8" X 4"



GT126 QUICK RELEASE PIPE AND TUBING CUTTER (1/4" UP TO 2-5/8")



WAS001 SPACER

Used to create a stand-off from the mounting surface for a fascia mount flange.



Item #	Description	Thickness	Diameter
ALUMINUM MILL FINISH			
51-WAS001/4	Fascia Mount Spacer	5/8"	4"

SL01 SOLAR LED ACCENT LIGHT

Ideal for mounting onto a square post to add localized lighting to a railing, pathway, and the exterior of a building.



Item #	Description
STAINLESS STEEL 316 POWDER COATED BLACK	
49BK-SL01	Mount on Flat Surfaces
SATIN STAINLESS STEEL 316	
49-SL01	Mount on Flat Surfaces

CALIFORNIA PROPOSITION 65

What is Proposition 65?

IN NOVEMBER 1986, CALIFORNIA VOTERS APPROVED A BALLOT INITIATIVE TO ADDRESS CONCERNS ABOUT EXPOSURES TO TOXIC CHEMICALS. THAT INITIATIVE BECAME THE SAFE DRINKING WATER AND TOXIC ENFORCEMENT ACT OF 1986, BETTER KNOWN BY ITS ORIGINAL NAME, PROPOSITION 65.

What does Proposition 65 Require?

FIRST, IT REQUIRES THE GOVERNOR OF CALIFORNIA TO PUBLISH A LIST OF CHEMICALS THAT ARE KNOWN TO THE STATE OF CALIFORNIA TO CAUSE CANCER, BIRTH DEFECTS OR OTHER REPRODUCTIVE HARM. OVER 700 CHEMICALS AND MATERIALS, INCLUDING MANY METALS AND PLASTICS, HAVE BEEN LISTED AS OF MARCH 10, 2000.

SECOND, IT REQUIRES MANUFACTURERS TO PROVIDE A "CLEAR AND REASONABLE" WARNING BEFORE EXPOSING ANYONE TO A LISTED CHEMICAL. THIS WARNING CAN BE GIVEN BY A VARIETY OF MEANS, SUCH AS BY LABELING A CONSUMER PRODUCT, BY POSTING SIGNS AT THE WORKPLACE, OR BY PUBLISHING NOTICES IN A NEWSPAPER.

What Does A Proposition 65 Warning Mean?

IT MEANS THAT THE MANUFACTURER ISSUING THE WARNING BELIEVES THAT ONE OR MORE LISTED CHEMICALS IS PRESENT IN ITS PRODUCT, EVEN IF IT IS ONLY PRESENT IN TRACE QUANTITIES. WE USE LANGUAGE APPROVED BY THE STATE OF CALIFORNIA AS FOLLOWS:

WARNING:

THE PRODUCT IN BRASS FINISH CONTAINS LEAD, A CHEMICAL KNOWN TO THE STATE OF CALIFORNIA TO CAUSE CANCER AND BIRTH DEFECTS OR OTHER REPRODUCTIVE HARM.

What kinds of chemicals and materials are on the list?

THE LIST CONTAINS A WIDE RANGE OF CHEMICALS AND MATERIALS, INCLUDING MANY METALS AND PLASTICS, DYES, SOLVENTS, PESTICIDES, DRUGS, FOOD ADDITIVES, AND BYPRODUCTS OF CERTAIN PROCESSES. THESE CHEMICALS MAY BE NATURALLY OCCURRING, OR SYNTHETIC. SOME OF THEM ARE INGREDIENTS OF COMMON HOUSEHOLD PRODUCTS, OTHERS ARE SPECIALTY CHEMICALS USED IN COMMON INDUSTRIAL APPLICATIONS.

How can I get more information?

THE CALIFORNIA OFFICE OF ENVIRONMENTAL HEALTH HAZARD ASSESSMENT, OEHHA, MAINTAINS A COMPREHENSIVE WEBSITE AT

WWW.OEHHA.ORG/PROP65. THIS WEBSITE EXPLAINS THE LAW AND OFFERS A LIST OF ALL THE CHEMICALS AND MATERIALS. YOU CAN ALSO E-MAIL OR TELEPHONE THE OFFICE OF ENVIRONMENTAL HEALTH HAZARD ASSESSMENT'S PROPOSITION 65 IMPLEMENTATION OFFICE AT (916) 445-6900.

INDEX

by PRODUCT

1/4-20 1/4-20 Flat Head Screw	275
2S Modular Tee.....	100
3ADJ Adjustable Elbow 3/4" Ips And 1" Ips.....	97
3AE Adjustable Elbow.....	97
3 Elbow.....	97
5/16-18 Hanger Bolt	276
5E Tee-E.....	99
5EXT Extended Barrel Tee.....	99
5SR Tee Side Rib.....	99
5 Tee.....	99
5X Tee.....	100
7 Cross.....	105
7E Cross-E.....	105
7S Modular Cross Assembly.....	106
8WS #8 Wood Screw	274
9 Side Outlet Elbow.....	98
10 Offset Cross.....	106
11E Side Outlet Tee-E.....	102
11 Side Outlet Tee.....	102
12 Short Barrel Cross.....	106
13E Side Outlet Cross-E.....	107
13 Side Outlet Cross.....	107
014 Heavy Duty Handrail Brkt.....	172
14S Modular Offset Cross Assembly.....	107
15 Nu-Rail Offset Tee.....	101
16 Bolt-On Tee	100
17A Adjustable Elbow 180 Degrees.....	98
17 Adj. Elbow Or Tee Assembly.....	101
17E Adj. Elbow Or Tee-E Assembly.....	101
17EM Adj. Elbow Or Tee-E Male Body	103
17EMO Adj. Elbow Or Tee Male/Oval Slot	103
17F Adj. Elbow Or Tee Female Body.....	104
17HM Hook.....	124
17M Adj. Elbow Or Tee Male Body	103
17MA Extended Tab.....	124
17SM Modular Male Assembly.....	124
17S Modular Adj. Tee Assembly	101
18 Shelf Support.....	119
18S Modular Stair Bracket Assembly	123
19 Adj. Cross Assembly.....	108
19E Adj. Cross-E.....	108
19EM Adj. Cross Male Body-E.....	108
19EMO Adj. Cross Male-E/Oval Slot	110
19M Adj. Cross Male Body.....	108
19MA Double Extended Tab	110
20-541 Steel Flange And Insert.....	198
20-A1 Insert For Round Tubing.....	163
20 Outside Corner	125
22S Mod. Cross Elbow Assembly.....	110
23 Adj. Tee Or Cross.....	105
23M Adj. Tee Or Cross Male.....	105
23S Modular Adj. Cross.....	110

24M Universal Adapter Male.....	98
24 Universal Adapter.....	98
25M Adj. Side Outlet Or Tee Male.....	102
25 Side Outlet Adj. Elbow Or Tee	103
27 Double Adj. Side Outlet Elbow Or Tee Assembly	104
27E Double Adj. Side Outlet Tee-E	103
27EM Double Adj. Side Outlet Tee-E Male	104
27EMO Double Adj. Side Outlet Tee Male	126
27M Double Adj. Side Outlet Elbow / Tee Male.....	104
29 Adj. Side Outlet Elbow.....	98
30A Nu-Rail Modified Cross.....	111
30-A Round Red Oak.....	86
30-B Nu-Rail Swivel.....	100
30-C Nu-Rail Adj. Swivel.....	107
30 Nu-Rail Adj. Cross.....	111
31 2-Dimensional Adj. Cross.....	108
32 Sloping Adjustable Tee	102
40 Triangular Flange.....	112
41M Flange Base.....	119
41RSP Solar Top Mount	114
42 Round Base Flange	112
43 Round Wall Flange.....	112
45CE Square Flange Closed End.....	113
45D Dual Barrel Flange.....	113
45SBC Square Base Flange	112, 130
45 Square Floor Flange	112
46ADJ Adj. Flange.....	114
46AF1 Angle Base Flange 28 -32 Deg.....	115
46AF2 Angle Base Flange 33 -36 Deg.....	115
46AHD Heavy Duty Adjustable Base Flange.....	114
46 Base Flange.....	114
46CR Corner Flange.....	131
46EXT Corner Flange. Barrel At End Of Flange.....	119
47AF Angle Base Flange 55 Deg	115
47 Rectangular Base Flange.....	115
47R Flange For Solar Or Roof Mount	116
48BC Heavy-Duty Rect. Base Flange	116
48H Rectangular Floor Flange.....	116
49BTCS Beveled Toeboard Corner Splice	135
49BTS Toe Board Splice Aluminum Satin Anodized.....	135
49C Toe Board Clamp.....	135
49F Toe Board Bracket	126, 135
50T 50t 2 Tabs With Holes.....	124
50 Wall Mount Flange.....	116
52EC Corner Extruded Wall Flange.....	117
52HD Extra Heavy-Duty Wall Flange.....	117
52 Wall Flange.....	117
54-3 3" Offset Wall Flange.....	118
54-4 4" Offset Wall Flange.....	118
54-5 5" Offset Wall Flange.....	118
55-5 Offset Wall Bracket.....	122
55 Offset Support Bracket.....	121
56 Adj. Offset Wall Bracket.....	122
57-7 Offset Wall Flange.....	118
58-6 Offset Wall Flange.....	118
59-6 Offset Wall Flange.....	118
62 Plug Sch. 40.....	119
62P Plastic Plug Sch. 40	119
65 Plug Sch. 80.....	119

70ES Internal Locking Splice.....	111, 130	330 Ball End Post.....	177
70 External Coupling.....	111	332 Ball Center Post.....	177
70S Modular External Coupling.....	112	334 6" Tall Ball End Post.....	178
75 Signage Clamp.....	126	336 6" Tall Ball Center Post.....	178
76 Gate Hinge.....	123	340 Flush End Post.....	87, 178
78I Gate Hinge Female Extrusion.....	123	341 Short Saddle Post.....	177, 205
78 Short Collar.....	125	341U Undrilled Short Saddle.....	177
82A Handrail Bracket.....	133	342 Flush Center Post.....	87, 178
82E Extruded Handrail Bracket.....	133	345/KIT 3250 Series Angle Bracket Adapter Kit.....	55
82 Handrail Bracket.....	134	348L Tall Saddle Post.....	179, 206
84 Handrail Return 4-1/8" Cl.....	133	348 Short Saddle Post.....	179, 205
85 Adjustable Handrail Bracket.....	134	350A Tall Adjustable Saddle.....	184, 207
85R Radius Grips.....	217	350 Tall Handrail Saddle.....	184, 207
87 Architectural Handrail Bracket For Post.....	133	352AF Short Adjustable Flat Saddle.....	182, 207
88 Architectural Handrail Bracket For Wall.....	133	352A Short Adjustable Saddle.....	182, 207
94 Double Tab Bracket Oval Shape.....	124	352ASQF Adj Saddle For Square.....	78, 186, 209
95 Single Tab Bracket Oval Slot.....	124	352ASQ Saddle For Sq & Round.....	78, 186, 209
96 Platform Bracket.....	122	352F Post-Handrail Bracket Short - Flat.....	182, 206
100 Rackmaster.....	125	352H-SQF Tall Saddle For Square.....	75, 186
102 Rackmaster.....	126	352L-FT Corner Saddle For Post-Handrail Bracket.....	83, 188
104 Side Outlet Cross.....	111	352L Short Corner Saddle.....	184, 207
104S Modular Side Outlet Cross.....	107	352RLF Rectangular Line Fixed Saddle.....	74, 191, 214
106 Dbl. Side Outlet Cross.....	109	352 Short Handrail Saddle.....	182, 206
106E Dbl. Side Outlet Cross-E.....	109	352SQF Saddle For Square Tube.....	78, 186, 209
130 Flush Ell.....	128	352SQ Saddle For Sq & Round.....	78, 184, 208
131 Flush Ell.....	128	352T Saddle.....	188
140F Grout Cover Ring.....	131	400 Combination Footrail Brkt.....	188
0145 Wall Mount Handrail Brkt.....	174	402 Bar Mount Footrail Bracket.....	189
150 Speed Tee.....	100	404 Floor Mount Footrail Brkt.....	189
151 Adjustable Speed Tee.....	101	406 Contemporary Footrail Brkt.....	189
155F Flush Tee/Perp Collar.....	128	450 Armrail Bracket.....	191
0155 Glass Mount Handrail Brkt.....	176	491 Adjustable Angle Flange.....	197
158F Tee Anodized Aluminum.....	128	500U Undrilled Flange For 1" Od Tube.....	192
159 Corner Tee.....	129	500 Wall Flange For 1" Od Tube.....	44, 192
162 Flush End Cap.....	131	503 Post Trim.....	58
165 End Cap - Schedule 80.....	131	505SET 1-5/16" Lido Closet Flange Set.....	258
170F Trunion.....	130	506SET 1-1/2" Lido Closet Flange Set.....	259
171F Adjustable Acute Tee.....	129	510 Wall Flange For 1-1/2" Od Tube.....	44, 192
172F Adjustable Obtuse Tee.....	129	510W Wall Flange For Wood.....	84, 194
173 Acute Angle Tee.....	129	511 Cut Flange For 1-1/2" Od Tube.....	44, 192
174 Obtuse Angle Tee.....	129	512 Floor Flange For 1-1/2" Od Tube.....	45, 193
179 Obtuse Angle Tee - Sch 80.....	129	515-535 45 Deg Angle Flange.....	193
185 Post Return Swivel.....	130	520 Streamlined Handrail Brkt.....	172
285 Adj Handrail Bracket For Speedrail Fittings.....	134	530 Wall Flange For 2" Od Tube.....	45, 193
300 Mend-A-Rail Elbow.....	120	531 Cut Wall Flange For 2" Od Tube.....	45, 193
301/KIT 3250 Series Bracket Kit.....	55	532 Flange For 2" Od Tube.....	45, 194
301KP Kicker Picket.....	56	533 Adjustable Angle Flange.....	197
301R 3250 Series Round Column Adapter Kit.....	56	540C Cut Flange Canopy.....	47, 196
301 Standard Handrail Bracket.....	87, 171	540 Flange Canopy.....	196
301U Undrilled Bracket.....	171	540SP Two Part Flange Canopy.....	196
302 Deluxe Handrail Bracket.....	171	540SQ Square Flange Canopy.....	81, 197
304 Glass Mount Handrail Brkt.....	175	541 Floor Flange.....	194
308GM Mod Glass Handrail Brkt.....	175	544 Floor Socket With Sm Lip.....	198
308 Modular Handrail Bracket.....	86, 172	545CAP Flush End Cap.....	204
308U Modular Undrilled Bracket.....	174	545 Floor Socket With Lg Lip.....	198
309 Adjustable Handrail Brkt.....	174	550M Insert Surface Mount Kit For 4"X4" Post Sleeves.....	56
309PF Flat Post Mount Bracket.....	74, 80, 180	550 Post Sleeve.....	56
310-9 Post Bracket Screw.....	51	552 Plantation Style Porch Post.....	57
310 Flat Handrail Bracket.....	88, 172	560C Post Clad Kit.....	56

590 Wall Flange.....	195	812S Clip W/Stopper 1/4" Glass.....	42, 216
593 Floor Flange.....	81, 195	813/03 Clip For 3/8" Glass.....	216
594 Welding Flange For Rectangular Tubing.....	72, 195	813/03S Clip W/Stopper 3/8" Glass.....	216
600 Flush End Cap.....	43, 200	813 Square Grip 1/2" Glass.....	42, 217
600PF Flush End Cap Press Fit.....	201	816FM Small Grip For 1/4" Glass.....	217
600W/45 Flush End Cap For Wood.....	85	816F Radius Grip 1/4-3/8" Glass.....	217
600W Flush End Cap For Wood.....	201	818 Perpendicular Collar.....	209, 224
602 Half Ball End Cap.....	43, 201	819 Outer Perpendicular Collar.....	210, 224
602W Round End Cap For Wood.....	85	820 Adjustable Saddle.....	206
603C Post Cap For Clad Posts.....	58	821 Adjustable Ball Saddle.....	162, 181, 206
603 Post Cap.....	58	822 Adjustable Tee.....	212
604-604B Ball Finial.....	43, 202	830 Internal Splice For Tubing.....	166, 212
606 Scroll Finial.....	203	830SQ Splice For Square Tube.....	82, 227
608 Radius Wall Return.....	203	830U Splice For Channel Tube.....	59, 67, 166
612 Filigree End Cap.....	202	830W Splice For Wood.....	85
615 Carved End Cap.....	202	850S/F Square Grip 1/4" And 3/8" Glass.....	218
616 Decorative End Cap.....	202	860S/F Square Glass Grip.....	218
640 Flush End Cap Channel Tube.....	59, 70, 201	876C Glass Spider - Double.....	82, 218
650 Flush End Cap For Square.....	81, 204	876E Glass Spider - Single.....	82, 219
700 Ball Single Outlet.....	44, 229	882 Tall Saddle Post.....	180, 206
701A Ball 135 Degree Elbow.....	230	912-9 Binder Bolt.....	52
701 Ball Parallel Outlet.....	212, 230	0945 Adjustable Angle Flange.....	197
702 Ball Ell.....	230	1700 Mend-A-Rail Adj. Eii Or Tee.....	121
703 Ball Outside Ell.....	230	2500 Mend-A-Rail Side Outlet Eii/Tee.....	121
704 Ball Tee.....	230	3250BNH 3" Bottom Rail.....	54
705 Ball Side Outlet Tee.....	231	3250S-FLU Stair Railings Kit.....	54
706 Ball Cross.....	231	3250TNH 3.25" Top Rail.....	54
707 Ball Side Outlet Cross.....	231	3250TNH-INS Aluminum Insert.....	54
708 Ball 135 Deg Side Out. Ell.....	231	4101 Wall Handrail Bracket.....	80, 175
709 Ball 135 Deg Side Out. Tee.....	232	4732 Flush End Cap For Square.....	77, 204
730A 147 Degree Flush Ell.....	221	6505 Wall Flange.....	200
730 Flush Radius Ell.....	221	6732 Flush End Cap.....	204
731A Adjustable Radius Ell.....	219	7000 Mend-A-Rail Coupling.....	120
731 Flush Radius Ell.....	219	8150A Lido Shelf & Rod Bracket.....	257
731W Flush Radius Ell For Wood.....	85, 226	9320 Wall Handrail Bracket.....	174
732A Adjustable Flush Ell.....	212, 220	49101 End Loop.....	132
732ACD Adj Flush Ell - Down.....	60, 69, 225	49201 Tangent Bend.....	132
732ACU Adj Flush Ell - Up.....	60, 68, 225	49301 Wall Return Bend.....	133
732ASQ Adjustable Flush Ell.....	83, 227	74121 Standard Pivot Pin.....	126
732AW Adj Flush Ell For Wood.....	83, 226	A034ID 3/4" Ips Aluminum Pipe Schedule 40.....	167
732C Flush Ell.....	60, 68, 225	A100 1" Od X 0.05" Tubing.....	41, 162
732 Flush Ell.....	220	A100ID 1" Ips Aluminum Pipe Schedule 40.....	167
732SQ Flush Ell For Square.....	83, 227	A106 1-5/16" Outside Diameter Lido Closet Rod.....	257
732UH Flush Ell - Channel Tube.....	59, 224	A110 1-1/2" Od X 0.05" Tubing.....	41, 162, 259
732UV Flush Ell - Channel Tube.....	59, 224	A111 1-1/2" Od X 0.06" Tubing.....	162
732W Flush Ell For Wood.....	84, 225	A112ID-80 1-1/2" Ips Aluminum Pipe Schedule 80.....	169
733 Flush Side Outlet Ell.....	221	A112IDINS Insert Tube Dowel For 1-1/2" Pipe.....	169
733SQ Flush Side Outlet Ell For Square.....	76	A112PID Steel/Plastic Pipe.....	168
734C Flush Tee.....	60, 67, 225	A114 1.67" Od X 0.08" Tubing.....	10, 163
734 Flush Tee.....	222	A114ID 1-1/4" IPS Pipe Sch 40 And Gatorshield.....	168
734W Flush Tee For Wood.....	84, 226	A114ID-80 1-1/4" Ips Aluminum Pipe Schedule 80.....	169
735 Flush Side Outlet Tee.....	222	A114U 1.67"Od X 0.06" Channel.....	58, 66, 165
736 Flush Cross.....	222	A120 2" Od X 0.05" Tubing.....	41, 163
738 Flush 135 D. Side Out Ell.....	223	A121 2" Od X 0.06" Tubing.....	163
752 Flush Ell Flange Assembly.....	199, 223	A134 1.77" Solid Round Wood.....	83
754 Flush Tee Flange Assembly.....	199, 223	A200ID 2" Ips Sch 40 Pipe Steel, Galvanized, Alum.....	169
800 Angle Collar.....	210, 232	A-JAB6 Adjust-A-Body W/ Anchor Bolt Tensioner.....	248
801 Angle Collar.....	162, 210	A-J Adjust-A-Jaw Tensioner.....	249
812 Clip For 1/4" Glass.....	42, 216	A-JTE Adjust-A-Body With Threaded Eye Tensioner.....	247

ANGLE - Equal Leg.....	165	DLFPTP Tee Posts.....	95
A-ROD Solid Acrylic Rod.....	165	E2R Round Floor Glass Clamp.....	214
B/SET Flange, Insert & Canopy.....	45, 198	E2S Square Floor Glass Clamp.....	214
CA7/16SAE Stainless Steel Washers.....	251	E40-9 Glass Standoff Round - 0.38" Depth.....	215
CA102-MD Series 3/16" Basic Cable Kit.....	236	E40-40 Glass Standoff Round - 1.57" Depth.....	215
CA102-SM Series 1/8" Basic Cable Kit.....	236	E40-50 Glass Standoff Round - 2" Depth.....	216
CA224-MD Series 3/16" Cable Kit.....	10, 237	E40-60 Glass Standoff Round - 2-3/8" Depth.....	216
CA224-SM Series 1/8" Cable Kit.....	10, 236	E64 Glass Standoff Adjustable Round.....	215
CA272-MD Series 3/16" Cable Kit.....	239	E103 Lido Design Extend & Lock Closet Rod.....	262
CA272-SM Series 1/8" Cable Kit.....	239	E600/D Drill Gauge For Wood.....	85
CA300C-SM Series 1/8" Cable Kit.....	241	E600 Wood To Fitting Connector.....	84
CA300C-SM Series 3/16" Cable Kit.....	241	E1200A Splice Channel-Round.....	60, 67, 229
CA300-MD Series 3/16" Cable Kit.....	239	E1200B Splice Channel-Fitting.....	60, 67, 229
CA300-SM Series 1/8" Cable Kit.....	239	E1530 Handrail Bracket - Led.....	61, 69, 175
CA500C-MD Series 3/16" Cable Kit.....	242	E1540 Saddle For Channel Tube.....	62, 70, 184
CA500C-SM Series 1/8" Cable Kit.....	242	E1999 Double Sided Tape.....	66
CA500W-MD Series 3/16" Cable Kit.....	241	E4586 Handrail Bracket For Wood.....	86, 175
CA500W-SM Series 1/8" Cable Kit.....	241	E4733 Flush Tee For Square.....	76, 227
CA511 Cable Brace Fastening Plate.....	253	ELED01 Decorative Tube Cover.....	64
CA601-MD Series 3/16" Cable Kit.....	238	ELED02 Led Power Supply.....	64
CA601-SM Series 1/8" Cable Kit.....	238	ELED03 Power Connector.....	64
CA703-SM Series 1/8" Cable Kit.....	238	ELED04 Led Strip Holder.....	64
CA4900 Cable Brace.....	253	ELED05 Splice.....	66
CABW38 Beveled Washer For 37-39 Deg Slopes.....	252	ELED06 Flexible Splice.....	64
CABW Beveled Washers For Cable Railing Stairs.....	252	ELED08 Led Strip End Cap.....	66
CA-C7HIT Cable Rail Cutter For 1/8" Cable.....	250, 277	ELED 90 Degree Splice.....	66
CA-C9 Cable Rail Cutter For 1/8", 3/16" & 1/4".....	250, 277	ELEDG0001 Led Light Strip.....	64
CACR Cable/Wire Rope In 316 Grade Stainless.....	250	EP830 Oval Closet Rod.....	258
CAE-ZCLEANKIT Stainless Steel Cleaner.....	236, 274	EP840 Open Flange For Oval Rod No Pins.....	258
CA-FERRULE Swaging Ferrule.....	248	EP841 Open Flange For Oval Rod With Pins.....	259
CAF-J Fixed Jaw.....	249	EP842 Center Support Oval Rod.....	259
CALE Lag Eye.....	246	EP848 Shelf & Rod Bracket For Oval Closet Rods.....	258
CALE-L Extended Lag Eye.....	252	GGI10 Insert Radius Glass Grip.....	217
CA-MLN Swageless Level Non Tensioner For Metal.....	243	GGIS Insert Square Glass Grip.....	218
CA-MLT Swageless Level Tensioner For Metal.....	244	H200 Gate Hinge.....	123
CAMO-SM 1/8" Cable Rail Kit - For Metal Posts.....	238	H500 Mend-A-Rail Tee.....	121
CA-MSN Swageless Stair Non Tensioner For Metal.....	244	H700 Mend-A-Rail Cross.....	121
CA-MST Swageless Stair Tensioner For Metal.....	244	H51015 Gate Latch.....	123
CAP/S/S End Cap For Cable Tensioning Nut.....	251	H51042 Gate Hinge & Latch Assembly.....	122
CA-PT Stainless Steel Protector Tube.....	251	H94102 Beveled Toeplate.....	126, 135
CAPUL Pull-Lock Stop-End Fitting.....	244	JS600 Set Screws.....	126, 276
CARL Cable Release Tool.....	250	KK10 Single Socket Tee.....	139
CASC Mounting Screw.....	253	KK12 45 Degree Single Socket Tee.....	141
CA-STUD Threaded Swaging Stud.....	248	KK14 Straight Coupling.....	147
CA-WLN Swageless Level Non Tensioner For Wood.....	243	KK15 90 Degree Elbow.....	138
CA-WLT Swageless Level Tensioner For Wood.....	243	KK16 Clamp-On Tee.....	140
CA-WSN Swageless Stair Non Tensioner For Wood.....	243	KK17 Clamp-On Crossover.....	144
CA-WST Swageless Stair Tensioner For Wood.....	243	KK18 Internal Coupling.....	147
CR322 Cable Rail Lacing Needle.....	251	KK19 Adjustable Side Outlet Tee.....	143
CTI Insert For Channel Tubing.....	59	KK20 Side Outlet Elbow.....	139
D114ID Dbl Line Level Posts.....	96	KK21 90 Degree Side Outlet Tee.....	141
DLBPCEP Center Posts.....	92	KK25 Three Socket Tee.....	139
DLBPCEP Corner Posts.....	92	KK26 Two Socket Cross.....	144
DLBPCEP End Posts.....	92	KK29 30 Degree To 60 Degree Single Socket Tee.....	142
DLBPTP Tee Posts.....	92	KK30 30 To 45 Degree Adjustable Cross.....	144
DLFPA Corner Posts.....	95	KK31 Pallet Flange.....	151
DLFPCEP Center Posts.....	95	KK35 Three Socket Cross.....	145
DLFPCP Corner Posts.....	95	KK40 Four Socket Cross.....	146
DLFPCEP End Posts.....	95	KK45 Crossover.....	145

KK46 Combination Socket Tee And Crossover.....	146	KKA45 Split Crossover.....	143
KK55 Obtuse Angle Elbow.....	138	KKBC53 Swivel Elbow.....	138
KK56 Acute Angle Elbow.....	138	KKC50 Single Swivel Socket.....	140
KK59 Spigot Flange.....	147	KKC51 Double Swivel Socket.....	156
KK60 Extra Heavy Flange.....	148	KKC52 Corner Swivel Socket.....	156
KK61 Flange.....	148	KKC58 Swivel Flange.....	151
KK62 Standard Railing Flange.....	148	KKF50 Female Single Swivel Socket Member.....	155
KK63 Angle Base Flange.....	149	KKM50 Male Single Swivel Socket Member.....	6
KK64 Standard Vertical Railing Base.....	150	KKM51 Male Double Swivel Socket Member.....	156
KK65 Standard Horizontal Railing Base.....	150	KKM52 Male Corner Swivel Socket Member.....	156
KK66 Ground Socket.....	151	KK-M58 Base Plate.....	6
KK67 Angle Flange.....	149	KKMH50 Male Single Horizontal Swivel Socket.....	155
KK68 Wall Flange.....	150	KKMH51 Male Horizontal Double Swivel Socket.....	156
KK69 Rail Flange With Toe Board Adapter.....	149	KKP50 Offset Single Tab Panel W/Slot.....	154
KK70 Rail Support.....	152	KKP51 Offset Double Tab Panel W/Slot.....	155
KK71 Weather Cap.....	153	KKP57 Single Tab Panel W/ Recessed Hole.....	154
KK72 Stair Tread Support.....	152	KKP57SLOT Single Tab Panel W/ Slot.....	154
KK75 Collar.....	153	KKP58 Double Tab Panel W/ Recessed Hole.....	155
KK76 Hook.....	153	LB-00201 Lido-Weld Adhesive 50 Ml.....	274
KK78 Eye Fitting.....	154	LLBPA Corner Posts.....	93
KK79 Sheeting Clip.....	153	LLBPCEP Center Posts.....	93
KK81 Single Sided Clip.....	153	LLBPCP Corner Posts.....	93
KK82 Double Sided Clip.....	153	LLBPEP End Posts.....	93
KK83 Pin Fitting.....	154	LLBPTP Tee Posts.....	93
KK84 Malleable Plug.....	152	LLFPA 135 Degree Corner Posts.....	95
KK86 Angle Tee.....	140	LLFPCEP Center Posts.....	95
KK87 Angle Elbow.....	138	LLFPCP Corner Posts.....	95
KK88 Three Socket Angle Tee.....	140	LLFPEP End Posts.....	95
KK89 Two Socket Angle Cross.....	145	LLFPTP Tee Posts.....	95
KK90 Pgr Three Socket Tee.....	141	MA-325-RN Rivet Nut Installation Tool.....	135, 277
KK91 Pgr Two Socket Cross.....	147	PL-AB Push-Lock Anchor Bolt.....	246
KK92 Pgr Elbow.....	139	PL-L Push Lock Lag.....	247
KK93 Pgr Tee.....	141	PLST Push-Lock Swageless Stud.....	244
KK97 Set Screws.....	6, 276	PL-TB-AB Push-Lock Turnbuckle W/ Anchor Bolt.....	246
KK100 Plastic Set Screw Cap.....	6	PL-TB-HB Push-Lock Turnbuckle W/ Hanger Bolt.....	246
KK105 Sheeting Clip Without Hardware.....	153	PL-TB-TB Push-Lock Turnbuckle Threaded Bolt.....	246
KK114 Swivel Tee.....	142	PT-250 Cable Pre-Tensioner.....	250
KK115 Wall Flange.....	150	PULCOV S/S Domed Push Cap For 6mm Shaft.....	252
KK118 Rose Cover.....	152	QS-0100 Hanger Bolt.....	275
KK121 Corner Crossover.....	146	QS-0220 Stainless Steel 316 Screw.....	275
KK133 Plastic Plug Series.....	152	QS-0511 Coarse Thread Screw.....	275
KK145 Crossover Coupling.....	145	QS-0670 Socket Flat Head Screw Coarse.....	275
KK262 Base Flange.....	149	QS-0680 Hexagon Socket Head Screw Coarse.....	274
KK265 Offset Railing Base.....	150	QS-CONCRETEANCHOR Concrete Anchor Bolt.....	276
KK316 Parapet Flange.....	151	R-6 Invisiware Receiver.....	247
KK320 Level To Sloping Down Side Outlet Elbow.....	157	R038 0.47" Od Solid Rod.....	28, 165
KK325A Level To Sloping Up Tee.....	158	RC103 External Crossbar Splice.....	29, 166, 213
KK325 Level To Sloping Down Tee.....	157	RC105 External Crossbar Adj Connector.....	30, 214
KK326 Level To Sloping Down Or Up Cross.....	158	RCF101 Crossbar Ball Finial.....	203
KK327 Adjustable Three Socket Tee.....	141	RF Invisiware Radius Ferrule.....	249
KK350 Eave Fitting.....	6	RIVETNUT Tubular Rivet Nut.....	135
KK351 Ridge Fitting.....	6	RL4301 Flush 90 Degree Ell.....	71, 228
KK555 Adjustable Saddle For Railings.....	6	RL4312 Adj Ell For Rectangular.....	71, 228
KK570 Wall Mounted Handrail Bracket.....	6	RL4504 Wall Flange.....	74, 195
KKA10 Split Single Socket Tee.....	142	RL4513 Rect Flange Canopy.....	72
KKA12 Split 45 Degree Single Socket Tee.....	143	RL4558 Fascia Mount Bracket.....	72, 73, 191
KKA21/A26 Split 2-Socket Cross/90 Deg Side Tee.....	143	RL4711F Sdl Rectangular Tube.....	71, 187, 208
KKA35 Split Three Socket Cross.....	146	RL4711R Tall Handrail Saddle.....	72, 187, 208
KKA40 Split Four Socket Cross.....	147	RL4719F Tall Handrail Saddle.....	72, 188, 208

RL4719R Tall Handrail Saddle.....	72, 187, 208
RL4900 2.36" Rectangular Tube.....	70, 164
RL5025 Rectangular Tube.....	10, 170
RL5727 Flush End Cap.....	71, 204
RL5792 Splice Rectangular Tube.....	71, 213
RM38 Concrete Anchors For Adjust-A-Body Bolt.....	252
SCGATE Self-Closing Safety Gate.....	6, 266
SG-388 Sugatsune Folding Bracket.....	260
SG-BOS Folding Bracket With Stopper.....	260
SG-EB Folding Bracket High Load.....	260
SG-SP-18EG End Cap.....	261
SG-SPH-15G Shelf Support For Sph-1820.....	261
SG-SPH-20G Shelf Support For Sph-1820.....	261
SG-SPH-1820G Shelf Standard.....	260
SG-TAS-800 Single Closet Rod Lift Mechanism.....	262
SL01 Solar Led Accent Light.....	66, 81, 89, 278
SL0145 Wall Bracket For Square.....	80, 88, 174
SL0155 Glass Brkt For Square.....	80, 176
SL4145 Wall Mnt Brkt - Square.....	79, 88, 174
SL4155 Glass Mount Bracket.....	79, 176
SL4301 Flush Ell For Square.....	76, 227
SL4505 Wall Flange.....	77, 195
SL4558 Fascia Mount Bracket.....	77
SL4710R Sdl For Square & Round.....	75, 186
SL4718R Sdl For Square & Round.....	75, 187
SL4727 End Cap For Square.....	77, 213
SL4790 Splice For Square Tube.....	76
SL4900 1.57" X 0.08" Square Tube.....	11, 75, 164
SL4942 Square Flange & Insert.....	75, 195
SL4943 Adj Square Flange.....	77, 197
SL47108 Corner Sdl Square Tube.....	75, 187
SLBPA 135 Degree Corner Posts.....	92
SLBPCEP Center Posts.....	91
SLBPCEP Corner Posts.....	91
SLBPEP End Posts.....	91
SLBPTP Tee Posts.....	91
SLFPA Corner Posts.....	94
SLFPCEP Center Posts.....	94
SLFPCP Corner Posts.....	94
SLFPEP End Posts.....	94
SLFPTP Tee Posts.....	94
ST-2310 Citrisurf 2310 - 22 Oz. Spray Bottle.....	274
ST-RR200 Rust Rescue 200 - Quart.....	274
TAW-1200 Closet Rod Lift.....	262
U030X U-Channel For 1/4" Panels.....	166
U424 Undrilled Floor Post.....	8, 242
VGJ-PT Pre-Tensioner Pliers.....	250
WA-006 3/8" X 5" Wedge Anchor.....	277
WA-010 1/2" X 5-1/2" Wedge Anchor.....	277
WA102 Fascia Mount Bracket.....	190
WA103 Fascia Mount Bracket.....	190
WA103LI Fascia Bracket.....	190
WA103LO Fascia Bracket.....	190
WA106 Fascia Mount Bracket.....	79, 191
WA0555 Corner Fascia Mnt Brkt.....	191
WAS001 Spacer.....	278
WDINST Threaded Insert.....	86

by SKU

00-8X100WS.....	274
00-014/1H.....	172
00-014/2.....	172
00-181A/1H.....	209, 224
00-301/1H.....	87, 171
00-301/2.....	87, 171
00-301U/1H.....	171
00-302/2.....	171
00-304/1H.....	175
00-304/2.....	175
00-310.....	87, 172
00-330/1.....	177
00-330/1H.....	177
00-330/2.....	177
00-332/1.....	177
00-332/1H.....	177
00-332/2.....	177
00-334/2.....	178
00-336/2.....	178
00-340/1.....	86, 178
00-340/1H.....	86, 178
00-340/2.....	86, 178
00-341/1H.....	177, 205
00-341U/1H.....	177
00-341U/2.....	177
00-342/1.....	86, 178
00-342/1H.....	86, 178
00-342/2.....	86, 178
00-400/1H.....	188
00-400/2.....	188
00-402/1H.....	189
00-402/2.....	189
00-404/1H.....	189
00-404/2.....	189
00-406/2.....	189
00-450/1H.....	191
00-450/2.....	191
00-491/1H.....	197
00-491/2.....	197
00-500/1.....	44, 192
00-510/1H.....	44, 192
00-511/1H.....	44, 192
00-512/1H.....	44, 193
00-515/1H.....	193
00-520/2.....	172
00-530/2.....	45, 193
00-531/2.....	45, 193
00-532/2.....	45, 194
00-533/1H.....	197
00-535/2.....	193
00-540/1H.....	196
00-540/2.....	196
00-540D/1.....	197
00-540D/1H.....	197
00-540D/2.....	197
00-545/2.....	198
00-545/2CAP.....	204

00-590/1H.....	194	00-733/1H.....	221
00-600/1.....	42, 200	00-733/2.....	221
00-600/1H.....	42, 200	00-734/1H.....	221
00-600/2.....	42, 200	00-734/2.....	221
00-600W/2.....	201	00-735/1H.....	222
00-602/1.....	43, 201	00-735/2.....	222
00-602/1H.....	43, 201	00-736/1H.....	222
00-602/2.....	43, 201	00-736/2.....	222
00-604/1.....	43, 202	00-738/1H.....	222
00-604/1H.....	43, 202	00-738/2.....	222
00-604/2.....	43, 202	00-752/1H.....	199, 223
00-606/1H.....	202	00-752/2.....	199, 223
00-606/2.....	202	00-754/1H.....	199, 223
00-608/1H.....	203	00-754/2.....	199, 223
00-608/2.....	203	00-800/1H.....	210, 231
00-612/1.....	202	00-800/2.....	210, 231
00-612/1H.....	202	00-801/2.....	210, 232
00-612/2.....	202	00-812/1H.....	41, 216
00-615/2.....	202	00-812/1HSL.....	42, 216
00-616/1H.....	202	00-812/1HSR.....	42, 216
00-616/2.....	202	00-812/2.....	41, 216
00-640U/1H.....	58, 69, 201	00-812/2SL.....	42, 216
00-700/1H.....	43, 229	00-812/2SR.....	42, 216
00-700/2.....	43, 229	00-813/03.....	216
00-701/1H.....	210, 229	00-813/03SL.....	216
00-701/2.....	210, 229	00-813/03SR.....	216
00-701A/1H.....	229	00-818/1.....	209, 223
00-702/1.....	229	00-818/1H.....	209, 223
00-702/1H.....	229	00-818/2.....	209, 223
00-702/2.....	229	00-819/2.....	209, 224
00-703/1.....	230	00-820/1H.....	206
00-703/1H.....	230	00-820/2.....	206
00-703/2.....	230	00-821/2.....	181, 206, 232
00-704/1.....	230	00-822/2.....	210
00-704/1H.....	230	00-830/1.....	166, 212
00-704/2.....	230	00-830/1.3125.....	166, 212
00-705/1.....	230	00-830/1H.....	166, 212
00-705/1H.....	230	00-830/2.....	166, 212
00-705/2.....	230	00-882/2.....	179, 205
00-706/1.....	230	00-A100.....	41, 162
00-706/1H.....	230	00-A110.....	41, 162, 259
00-706/2.....	230	00-A120.....	41, 163
00-707/1.....	231	00-B/1H.....	45, 198
00-707/1H.....	231	00-B/2.....	45, 198
00-707/2.....	231	00-U03032.....	166
00-708/1H.....	231	01-L-012012X18.....	165
00-708/2.....	231	01-L-034034X18.....	165
00-709/1H.....	231	01-L-100100X18.....	165
00-709/2.....	231	01-L-112112X18.....	165
00-730/1H.....	220	01-L-114114X18.....	165
00-730/2.....	220	17-89.....	100
00-730A/1H.....	221	20-541/1H.....	198
00-730A/2.....	221	20-541/2.....	198
00-731/1.....	219	20-A100SL.....	163
00-731/1H.....	219	20-A110SL.....	163
00-731/2.....	219	20-A112PID-YL.....	168
00-732/1H.....	219	20-A120SL.....	163
00-732/2.....	219	22-531-7.....	146
00-732A/2.....	212, 220	22-702-7.....	135

22-703-7.....	136	40-533/2.....	197
22-704-7.....	137	40-540C/1H.....	46, 196
22-750-77.....	138	40-540C/2.....	46, 196
22-760-7.....	140	40-544/2.....	198
22-A100ID.....	167	40-545/2.....	198
22-A112ID.....	168	40-545/2CAP.....	204
22-A114ID.....	168	40-600/1.....	42, 200
22-A200ID.....	169	40-600/1H.....	42, 200
22-SCGATE/18.....	157	40-600/2.....	42, 200
22-SCGATE/21.....	157	40-600W/2.....	201
22-SCGATE/24.....	157	40-602/1H.....	43, 201
22-SCGATE/27.....	157	40-602/2.....	43, 201
22-SCGATE/30.....	157	40-604/1H.....	43, 202
22-SCGATE/33.....	157	40-604/2.....	43, 202
22-SCGATE/36.....	157	40-608/1H.....	203
22-SCGATE/40.....	157	40-608/2.....	203
22-SCGATE/48.....	157	40-700/1H.....	43, 229
22YL-SCGATE/18.....	157	40-700/2.....	43, 229
22YL-SCGATE/21.....	157	40-702/1H.....	229
22YL-SCGATE/24.....	157	40-702/2.....	229
22YL-SCGATE/27.....	157	40-703/1H.....	230
22YL-SCGATE/30.....	157	40-703/2.....	230
22YL-SCGATE/33.....	157	40-704/1H.....	230
22YL-SCGATE/36.....	157	40-704/2.....	230
22YL-SCGATE/40.....	157	40-705/1H.....	230
22YL-SCGATE/48.....	157	40-705/2.....	230
23-A112ID.....	168	40-706/1H.....	230
23-A114ID.....	168	40-706/2.....	230
23BK-A114ID.....	168	40-708/1H.....	231
30-A110.....	86	40-708/2.....	231
31-A134/10.....	83	40-730/1H.....	220
32-A134/10.....	83	40-730/2.....	220
33-A134/8.....	83	40-730A/1H.....	221
33-A134/10.....	83	40-730A/2.....	221
40-301/1H.....	87, 171	40-731/1.....	219
40-301/2.....	87, 171	40-731/1H.....	219
40-304/1H.....	175	40-731/2.....	219
40-304/2.....	175	40-732/1H.....	219
40-310.....	87, 172	40-732/2.....	219
40-330/1.....	177	40-733/1H.....	221
40-332/1.....	177	40-733/2.....	221
40-340/1.....	86, 178	40-734/1H.....	221
40-340/1H.....	86, 178	40-734/2.....	221
40-340/2.....	86, 178	40-735/1H.....	222
40-342/1.....	86, 178	40-735/2.....	222
40-342/1H.....	86, 178	40-736/1H.....	222
40-342/2.....	86, 178	40-736/2.....	222
40-400/1H.....	188	40-738/1H.....	222
40-400/2.....	188	40-738/2.....	222
40-402/1H.....	189	40-752/1H.....	199, 223
40-402/2.....	189	40-752/2.....	199, 223
40-450/1H.....	191	40-754/1H.....	199, 223
40-500/1.....	44, 192	40-754/2.....	199, 223
40-500U/1.....	192	40-800/1H.....	210, 231
40-511/1H.....	44, 192	40-800/2.....	210, 231
40-512/1H.....	44, 193	40-816F.....	217
40-531/2.....	45, 193	40-816FM.....	216
40-532/2.....	45, 194	40-818/1.....	209, 223
40-533/1H.....	197	40-818/1H.....	209, 223

40-818/2.....	209, 223	44-608/1H.....	203
40-821/1H.....	181, 206, 232	44-608/2.....	203
40-821/2.....	181, 206, 232	44-700/1H.....	43, 229
40-A100.....	41, 162	44-700/2.....	43, 229
40-A110.....	41, 162, 259	44-701/2.....	210, 229
40-A120.....	41, 163	44-702/1H.....	229
40-B/1H.....	45, 198	44-702/2.....	229
40-B/2.....	45, 198	44-703/1H.....	230
40-U03052C.....	166	44-703/2.....	230
41-WDINST.....	85	44-704/1H.....	230
44-5/16-18-3HB.....	174, 276	44-704/2.....	230
44-0145/1H.....	174	44-705/1H.....	230
44-0145F.....	79, 87, 174	44-705/2.....	230
44-0155.....	80, 176	44-706/1H.....	230
44-0155/1H.....	176	44-706/2.....	230
44-0155/2.....	176	44-708/1H.....	231
44-301/1H.....	87, 171	44-708/2.....	231
44-301/2.....	87, 171	44-730/1H.....	220
44-304/1H.....	175	44-730/2.....	220
44-304/2.....	175	44-730A/1H.....	221
44-310.....	87, 172	44-730A/2.....	221
44-330/1.....	177	44-731/1.....	219
44-332/1.....	177	44-731/1H.....	219
44-340/1.....	86, 178	44-731/2.....	219
44-340/1H.....	86, 178	44-731W/45.....	85, 225
44-340/2.....	86, 178	44-732/1H.....	219
44-342/1.....	86, 178	44-732/2.....	219
44-342/1H.....	86, 178	44-732A/1H.....	212, 220
44-342/2.....	86, 178	44-732AW/45.....	83, 226
44-352L-FT.....	82, 188	44-732W/45.....	83, 225
44-400/1H.....	188	44-733/1H.....	221
44-400/2.....	188	44-733/2.....	221
44-402/1H.....	189	44-734/1H.....	221
44-402/2.....	189	44-734/2.....	221
44-500/1.....	44, 192	44-734W/45.....	83, 226
44-500U/1.....	192	44-735/1H.....	222
44-510/1H.....	44, 192	44-735/2.....	222
44-510W/45.....	84, 194	44-736/1H.....	222
44-511/1H.....	44, 192	44-736/2.....	222
44-512/1H.....	44, 193	44-738/1H.....	222
44-531/2.....	45, 193	44-738/2.....	222
44-532/2.....	45, 194	44-752/1H.....	199, 223
44-533/1H.....	197	44-752/2.....	199, 223
44-533/2.....	197	44-754/1H.....	199, 223
44-540C/1H.....	46, 196	44-754/2.....	199, 223
44-540C/2.....	46, 196	44-800/1H.....	210, 231
44-544/2.....	198	44-800/2.....	210, 231
44-545/2.....	198	44-813/2.....	42, 217
44-545/2CAP.....	204	44-816F.....	217
44-600/1.....	42, 200	44-816FM.....	216
44-600/1H.....	42, 200	44-818/1.....	209, 223
44-600/2.....	42, 200	44-818/1H.....	209, 223
44-600W/2.....	201	44-818/2.....	209, 223
44-600W/45.....	84	44-821/1H.....	181, 206, 232
44-602/1H.....	43, 201	44-821/2.....	181, 206, 232
44-602/2.....	43, 201	44-830W/45.....	85
44-602W/45.....	84	44-0945/1H16.....	197
44-604/1H.....	43, 202	44-4145/1H.....	79, 88, 174
44-604/2.....	43, 202	44-4145F.....	79, 88, 174

44-4155/1H.....	79, 176	47-734/424.....	221
44-4155F.....	79, 176	47-734C/424.....	60, 67, 225
44-4727/40.....	76, 213	47-735/1H16.....	222
44-6505/6040.....	199	47-735/216.....	222
44-6732/6040.....	204	47-735/424.....	222
44-9320/1H.....	174	47-736/424.....	222
44-A100.....	41, 162	47-818/1H16.....	209, 223
44-A110.....	41, 162, 259	47-818/216.....	209, 223
44-A114U.....	58, 66, 165	47-818/424.....	209, 223
44-A120.....	41, 163	47-821/424.....	181, 206, 232
44-B/1H.....	45, 198	47-830/1H16.....	166, 212
44-B/2.....	45, 198	47-830/216.....	166, 212
44-E600/D/45.....	85	47-830/424.....	166, 212
44-U03052C.....	166	47-830U/424.....	59, 66, 166
44-WA-006.....	277	47-850S/1H.....	217
44-WA-010.....	277	47-850S/F.....	218
47-301/1H.....	87, 171	47-860S/F.....	218
47-301/2.....	87, 171	47-A111.....	162
47-301/424.....	87, 171	47-A114.....	10, 163
47-510/1H.....	44, 192	47-A114U.....	58, 59, 66, 67, 165, 166
47-510/424.....	44, 192	47-A121.....	163
47-530/2.....	45, 193	49-7/16SAE.....	251
47-540/1H.....	196	49-14-20X1-PF.....	275
47-540/2.....	196	49-0155.....	80, 176
47-540/424.....	196	49-0155/1H.....	176
47-600/1H16.....	42, 200	49-0155/2.....	176
47-600/216.....	42, 200	49-0169/424.....	181
47-600PF/1H16.....	200	49-301/1H.....	87, 171
47-600PF/216.....	200	49-301/2.....	87, 171
47-600PF/424.....	200	49-301/424.....	87, 171
47-602/424.....	43, 201	49-308/1H.....	86, 172
47-604/1H16.....	43, 202	49-308/2.....	86, 172
47-604/216.....	43, 202	49-308GM/1H.....	175
47-604/424.....	43, 202	49-308GM/2.....	175
47-608/1H16.....	203	49-308U/1H.....	174
47-608/216.....	203	49-308U/2.....	174
47-608/424.....	203	49-309/1H.....	174
47-640/424.....	58, 69, 201	49-309P/1H.....	180
47-730/1H16.....	220	49-309PF/1H.....	72, 79, 180
47-730/216.....	220	49-348/1H.....	179, 205
47-730/424.....	220	49-348/2.....	179, 205
47-731/1H16.....	219	49-348L/1H.....	179, 205
47-731/216.....	219	49-348L/2.....	179, 205
47-731/424.....	219	49-350/216.....	184, 207
47-731A/424.....	219	49-350/424.....	184, 207
47-732/1H16.....	219	49-350A/216.....	184, 207
47-732/216.....	219	49-350A/424.....	184, 207
47-732/424.....	219	49-352/424.....	182, 188, 206
47-732A/1H16.....	212, 220	49-352A/424.....	182, 206
47-732A/216.....	212, 220	49-352AF/424.....	182, 207
47-732A/424.....	212, 220	49-352ASQ/1H.....	78, 186, 208
47-732C/424.....	59, 67, 225	49-352ASQ/2.....	78, 186, 208
47-732UH/424.....	59, 224	49-352ASQ/40.....	78, 186, 208
47-732UV/424.....	59, 224	49-352ASQF/1H.....	78, 186, 209
47-733/1H16.....	221	49-352ASQF/2.....	78, 186, 209
47-733/216.....	221	49-352ASQF/40.....	78, 186, 209
47-733/424.....	221	49-352F/424.....	182, 206
47-734/1H16.....	221	49-352H-ASQF/40.....	74, 186
47-734/216.....	221	49-352H-SQF/40.....	74, 186

49-352L/424.....	184, 188, 207	49-732A/216.....	212, 220
49-352L-FT.....	82, 188	49-732A/424.....	212, 220
49-352RLF/6030.....	73, 191, 213	49-732ACD/424.....	60, 68, 224
49-352SQ/1H.....	78, 184, 208	49-732ACU/424.....	60, 68, 224
49-352SQ/2.....	78, 184, 208	49-732ASQ-06/1H.....	82, 227
49-352SQ/40.....	78, 184, 208	49-732ASQ/40.....	82, 227
49-352SQF/1H.....	77, 186, 209	49-732C/424.....	59, 67, 225
49-352SQF/2.....	77, 186, 209	49-732SQ-06/1H.....	82, 226
49-352SQF/40.....	77, 186, 209	49-732SQ/40.....	82, 226
49-352T/424.....	188	49-732UH/424.....	59, 224
49-510/1H.....	44, 192	49-732UV/424.....	59, 224
49-510/424.....	44, 192	49-733/1H16.....	221
49-511/424.....	44, 192	49-733/216.....	221
49-530/2.....	45, 193	49-733/424.....	221
49-533/216.....	197	49-733SQ/40.....	76
49-533/424.....	197	49-734/1H16.....	221
49-540/1H.....	196	49-734/216.....	221
49-540/2.....	196	49-734/424.....	221
49-540/424.....	196	49-734C/424.....	60, 67, 225
49-540SP/424.....	196	49-735/1H16.....	222
49-540SQ/1H.....	81, 196	49-735/216.....	222
49-540SQ/2.....	81, 196	49-735/424.....	222
49-540SQ/40.....	81, 196	49-736/424.....	222
49-541/1H.....	194	49-818/1H16.....	209, 223
49-541/2.....	194	49-818/216.....	209, 223
49-541/424.....	194	49-818/424.....	209, 223
49-0555/1H.....	191	49-821/1H16.....	181, 206, 232
49-593/1H.....	81, 195, 196	49-821/424.....	181, 206, 232
49-593/2.....	81, 195, 196	49-830/1H16.....	166, 212
49-593/40.....	81, 195, 196	49-830/216.....	166, 212
49-594/6030.....	72, 195	49-830/424.....	166, 212
49-600/1H16.....	42, 200	49-830SQ-06/1H.....	81, 226
49-600/216.....	42, 200	49-830SQ/40.....	81, 226
49-600PF/1H16.....	200	49-830U/424.....	59, 66, 166
49-600PF/216.....	200	49-850S/1H.....	217
49-600PF/424.....	200	49-850S/F.....	218
49-602/424.....	43, 201	49-851R/1H.....	217
49-604/1H16.....	43, 202	49-851R/F.....	217
49-604/216.....	43, 202	49-852R/424.....	217
49-604/424.....	43, 202	49-860R/2.....	217
49-608/1H16.....	203	49-860R/F.....	217
49-608/216.....	203	49-860S/F.....	218
49-608/424.....	203	49-876C/F/3.....	81, 218
49-640/424.....	58, 69, 201	49-876E/F/3.....	81, 218
49-650/1H.....	80, 204	49-4101/1H.....	80, 175
49-650/1H11.....	80, 204	49-4301/40.....	75, 227
49-650/40.....	80, 204	49-4505/40.....	76, 195
49-650/211.....	80, 204	49-4710R/1H.....	75, 186
49-730/1H16.....	220	49-4718R/1H.....	75, 187
49-730/216.....	220	49-4732/40.....	76, 203
49-730/424.....	220	49-4790/40.....	76
49-731/1H16.....	219	49-4900/4040.....	11, 74, 164
49-731/216.....	219	49-4942/40.....	75, 195
49-731/424.....	219	49-4943/40.....	76, 197
49-731A/424.....	219	49-6732/6040.....	204
49-732/1H16.....	219	49-47108/40.....	75, 187
49-732/216.....	219	49-A111.....	162
49-732/424.....	184, 207, 219	49-A114.....	10, 163, 184, 207
49-732A/1H16.....	212, 220	49-A114U.....	58, 59, 66, 67, 165, 166

49-A121.....	163	50BK-A112ID.....	168
49BK-CAMO-SM/5.....	238	50BK-A114ID.....	168
49BK-CAMO-SM/10.....	238	51-550M/36.....	55
49BK-CAMO-SM/15.....	238	51-550M/48.....	55
49BK-CAMO-SM/20.....	238	51-3250TNH-INS/8.....	52
49BK-CAMO-SM/25.....	238	51-A100ID.....	167
49BK-CAMO-SM/30.....	238	51-A112ID.....	168, 169
49BK-CAMO-SM/40.....	238	51-A112ID-61.....	168
49BK-CAMO-SM/50.....	238	51-A112ID-80.....	169
49BK-CR018.....	249	51-A112IDINS.....	169
49BK-SL01.....	66, 80, 88, 278	51-A114ID.....	168, 169
49-C12122.....	77, 164	51-A114ID-80.....	169
49-C12124.....	77, 164	51-A200ID.....	169
49-C16164.....	78, 164	51-L-034034X18.....	165
49-CA511.....	253	51-L-100100X18.....	165
49-CA4900/36.....	253	51-L-112112X18.....	165
49-CA4900/42.....	253	51-L-114114X18.....	165
49-CA4900/5/36.....	253	51-WAS001/4.....	278
49-CA4900/5/42.....	253	51YL-A112ID.....	168, 169
49-E4586/45.....	85, 175	51YL-A112ID-80.....	169
49-E4733/40.....	75, 227	51YL-A114ID.....	168
49-R038.....	28, 165	52-A112ID.....	168, 169
49-RC103.....	29, 166, 213	52-A112ID-80.....	169
49-RC105.....	29, 213	52-A114ID.....	168, 169
49-RCF101.....	203	52-A114ID-80.....	169
49-RL4301/6020.....	70, 227	54-A114ID.....	168
49-RL4312/6020.....	70, 227	54-D114ID/36/F/C.....	95
49-RL4504/6020.....	72, 195	54-D114ID/36/F/E.....	95
49-RL4513/6030.....	72	54-D114ID/36/F/L.....	95
49-RL4558/6030.....	72, 191	54-D114ID/42/F/C.....	95
49-RL4711F/6030.....	71, 187, 208	54-D114ID/42/F/E.....	95
49-RL4711R/6030.....	71, 187, 207	54-D114ID/42/F/L.....	95
49-RL4719F/6030.....	71, 188, 208	54-D114IDA/36/F/B.....	95
49-RL4719R/6030.....	72, 187, 208	54-D114IDA/36/F/C.....	95
49-RL4920/6020.....	70, 164	54-D114IDA/36/F/T.....	95
49-RL4926/6030.....	70, 73, 164, 191	54-D114IDA/42/F/B.....	95
49-RL5727/6020.....	70, 204	54-D114IDA/42/F/C.....	95
49-RL5728/6030.....	70, 204	54-D114IDA/42/F/T.....	95
49-RL5792/6020.....	70, 212	54-RL5025.....	10, 170
49-SL01.....	66, 80, 88, 278	55BK-06180.....	106
49-SL4558/40.....	77	55BK-08020.....	96
49-U424/42/F.....	8, 242	55BK-08040.....	98
49-WA102/1H.....	190	55BK-08060.....	98
49-WA102/2.....	190	55BK-08100.....	104
49-WA102/424.....	190	55BK-08120.....	96
49-WA103/424.....	190	55BK-08150.....	101
49-WA103LI/424.....	190	55BK-08610.....	118
49-WA103LO/424.....	190	55BK-08630.....	110
49-WA106/1HSQ.....	78, 191	55BK-28090.....	111
49-WA106/2.....	78, 191	55BK-28470.....	111, 129
50-A034ID.....	167	80-301/KIT.....	54
50-A100ID.....	167	80-301KP/WH.....	55
50-A112ID.....	168, 169	80-301R/6/KIT.....	55
50-A112ID-61.....	168	80-301R/8/KIT.....	55
50-A112ID-80.....	169	80-301R/10/KIT.....	55
50-A114ID.....	168, 169	80-301S/KIT.....	54
50-A114ID-80.....	169	80-302S-385/KIT.....	54
50-A200ID.....	169	80-345-22/KIT-WH.....	54
50BK-A100ID.....	167	80-345-45/KIT-WH.....	54

80-503/06.....	56	01510.....	110
80-503CA.....	57	02130.....	105
80-503CA/06.....	57	02150.....	100
80-503NE.....	56	03080.....	98
80-503NE/06.....	56	03090.....	104
80-550/06/38.....	55	03130.....	105
80-550/06/48.....	55	03150.....	100
80-550/38.....	55	03170.....	107
80-550/48.....	55	03500.....	109
80-552/108.....	56	03510.....	110
80-560C/06/8.5.....	56	04150.....	100
80-560C/06/10.....	56	04160.....	100
80-560C/8.5.....	56	04230.....	100
80-560C/10.....	56	05020.....	96
80-603C.....	56	05030.....	96
80-603C/06.....	56	05040.....	98
80-603NE.....	56	05050.....	102
80-603NE/06.....	56	05060.....	98
80-3250BNH/8.....	52	05090.....	104
80-3250/FLU/36/4.....	52	05100.....	104
80-3250/FLU/36/6.....	52	05120.....	96
80-3250/FLU/36/8.....	52	05130.....	105
80-3250/FLU/36/10.....	52	05140.....	101
80-3250/FLU/42/6.....	52	05150.....	101
80-3250/FLU/42/8.....	52	05160.....	105
80-3250/FLU/42/10.....	52	05170.....	106
80-3250S/FLU/36/4.....	54	05230.....	100
80-3250S/FLU/36/6.....	54	05240.....	100
80-3250S/FLU/36/8.....	54	05250.....	102
80-3250S/FLU/42/6.....	54	05270.....	103
80-3250S/FLU/42/8.....	54	05280.....	102
80-3250TNH/8.....	52	05290.....	97
80-E600/45.....	84	05330.....	107
80-R100.....	165	05340.....	107
80-R110.....	165	05400.....	103
80-R120.....	165	05410.....	104
85-CT11002.....	58	05420.....	102
85-CT11003.....	58	05430.....	101
85-GG11003.....	218	05440.....	103
85-GG11004.....	218	05450.....	103
85-GG11005.....	218	05500.....	109
85-GG11006.....	218	05510.....	110
85-GG11007.....	217	05520.....	99
85-GG11008.....	217	05530.....	106
85-GG11009.....	217	05600.....	119
85-GG11010.....	217	05610.....	118
85-GG11011.....	217	05630.....	110
85-GG11013.....	217	05750.....	110
85-GG11015.....	217	05760.....	107
00130.....	105	06020.....	96
310-B9.....	51	06030.....	96
00500.....	109	06040.....	98
00510.....	110	06050.....	102
912-B.....	51	06060.....	98
954BB.....	50	06090.....	104
969TB.....	50	06100.....	104
01130.....	105	06120.....	96
01150.....	100	06130.....	105
01500.....	109	06140.....	101

06150.....	101	07400.....	103
06160.....	105	07410.....	104
06170.....	106	07420.....	102
06180.....	106	07430.....	101
06230.....	100	07440.....	103
06270.....	103	07450.....	103
06280.....	102	07490.....	123
06290.....	97	07500.....	109
06330.....	107	07510.....	110
06340.....	107	07520.....	99
06350.....	123	07530.....	106
06360.....	109	07570.....	97
06400.....	103	07600.....	119
06410.....	104	07610.....	118
06420.....	102	07620.....	118
06430.....	101	07630.....	110
06440.....	103	07640.....	110
06450.....	103	07655.....	110, 129
06500.....	109	07670.....	121
06510.....	110	07680.....	123
06520.....	99	07690.....	122
06530.....	106	07730.....	124
06600.....	119	07740.....	124
06610.....	118	07750.....	110
06630.....	110	07760.....	107
06710.....	125	07770.....	108
06730.....	124	07840.....	101
06740.....	124	07875.....	132
06750.....	110	07885.....	131
06760.....	107	07895.....	132
06770.....	108	07900.....	131
07020.....	96	07910.....	131
07030.....	96	07920.....	131
07040.....	98	07930.....	131
07050.....	102	07945.....	133
07060.....	98	07946.....	133
07080.....	101	07960.....	112
07090.....	104	08020.....	96
07100.....	104	08030.....	96
07120.....	96	08040.....	98
07130.....	105	08060.....	98
07140.....	101	08070.....	98
07150.....	101	08080.....	101
07160.....	105	08090.....	104
07170.....	106	08100.....	104
07180.....	106	08110.....	98
07210.....	100	08120.....	96
07220.....	99	08130.....	105
07230.....	100	08140.....	101
07240.....	100	08150.....	101
07250.....	102	08160.....	105
07270.....	103	08170.....	106
07280.....	102	08180.....	106
07290.....	97	08220.....	99
07330.....	107	08230.....	100
07340.....	107	08240.....	100
07350.....	123	08250.....	102
07360.....	109	08260.....	102
07370.....	105	08270.....	103

08280.....	102	09280.....	102
08290.....	97	09330.....	107
08300.....	107	09340.....	107
08310.....	107	09350.....	123
08320.....	108	09500.....	109
08330.....	107	09510.....	110
08340.....	107	09520.....	99
08350.....	123	09530.....	106
08360.....	109	09600.....	119
08370.....	105	09610.....	118
08390.....	123	09620.....	118
08400.....	103	09630.....	110
08410.....	104	09655.....	110, 129
08420.....	102	09670.....	121
08430.....	101	09740.....	124
08440.....	103	09940.....	112
08450.....	103	10550.....	118
08460.....	102	10560.....	118
08470.....	103	10570.....	118
08480.....	124	10580.....	118
08490.....	123	10590.....	118
08500.....	109	10870.....	119
08510.....	110	14040.....	105
08520.....	99	15000.....	99
08530.....	106	15240.....	106
08540.....	107	16040.....	105
08600.....	119	16200.....	106
08610.....	118	17000.....	99
08620.....	118	17040.....	105
08630.....	110	17100.....	122
08640.....	110	17120.....	108
08655.....	110, 129	17150.....	124
08670.....	121	18000.....	99
08680.....	123	18020.....	104
08690.....	122	18040.....	105
08720.....	121	18060.....	100
08730.....	124	18090.....	122
08740.....	124	18100.....	122
08750.....	110	18120.....	108
08760.....	107	18140.....	108
08770.....	108	18150.....	124
08780.....	123	18170.....	111
08790.....	122	25010.....	111
08850.....	98	25040.....	112
08860.....	97	25060.....	117
08945.....	133	25080.....	111
08946.....	133	25100.....	111
08960.....	112	25120.....	111
08970.....	108	25160.....	114
09020.....	96	25180.....	114
09040.....	98	25270.....	115
09049.....	99	25360.....	120
09070.....	98	26010.....	111
09090.....	104	26040.....	112
09120.....	96	26080.....	111
09130.....	105	26100.....	111
09140.....	101	26120.....	111
09230.....	100	26140.....	112
09270.....	103	26160.....	114

26180.....	114	28576.....	124, 133
26270.....	115	28580.....	116
26810.....	117	28610.....	121
26850.....	123	28670.....	112
27020.....	111	28710-28.....	113
27050.....	112	28710-29.....	113
27070.....	117	28710-30.....	113
27090.....	111	28710-31.....	113
27130.....	111	28710-32.....	113
27140.....	112	28720-33.....	113
27150.....	113	28720-36.....	113
27170.....	114	28850.....	116
27180.....	114	28910.....	114
27280.....	115	28990.....	113
27290.....	115	29170.....	114
27300.....	115	29220.....	115
27360.....	120	29300.....	115
27390.....	121	29610.....	121
27610.....	121	29780.....	115
27800.....	117	29790.....	115
27990.....	113	31046.....	131
28020.....	111	31106.....	131
28050.....	112	31490.....	117
28090.....	111	31555.....	133
28130.....	111	31830.....	112
28140.....	112	31840.....	112
28150.....	113	38800.....	119
28170.....	114	38810.....	119
28190-37.....	114	38820.....	119, 260
28190-38.....	114	38830.....	120, 260
28190-39.....	114	38840.....	120
28190-40.....	114	38850.....	119
28190-41.....	114	38860.....	120, 260
28190-42.....	114	49101B-5.....	130
28190-43.....	114	49101B-32.....	130
28190-44.....	114	49101-LEVEL.....	130
28190-45.....	114	49101T-5.....	130
28190-46.....	114	49101T-32.....	130
28210.....	115	49201B-5.....	130
28280.....	115	49201B-32.....	130
28290.....	115	49201T-5.....	130
28300.....	115	49201T-32.....	130
28330.....	116	49301L.....	131
28340.....	116	49301R.....	131
28350.....	116	51015.....	122
28360.....	120	51042.....	121
28370.....	120	51416.....	122
28380.....	120	52095.....	121
28390.....	121	53005.....	121
28410.....	129	53015.....	122
28416.....	129	53416.....	122
28420.....	118	56016.....	126
28470.....	111, 129	56081.....	130
28480.....	112, 129	58016.....	126
28490.....	115	58026.....	129
28526.....	133	58086.....	130
28536.....	134	58096.....	128
28546.....	133	58126-29.....	127
28575.....	124, 133	58126-32.....	127

58126-35.....	127	CA102-SM/50.....	236
58126-38.....	127	CA102-SM/60.....	236
58136.....	130	CA102-SM/70.....	236
58166.....	128	CA224-MD/30.....	10, 237
58176.....	128	CA224-MD/40.....	10, 237
58226-29.....	128	CA224-MD/50.....	10, 237
58226-32.....	128	CA224-MD/60.....	10, 237
58226-35.....	128	CA224-MD/70.....	10, 237
58226-38.....	128	CA224-SM/30.....	10, 236
58226-45.....	128	CA224-SM/40.....	10, 236
58416-29.....	128	CA224-SM/50.....	10, 236
58416-32.....	128	CA224-SM/60.....	10, 236
58416-35.....	128	CA224-SM/70.....	10, 236
58416-38.....	128	CA232-MD/5.....	10, 237
58416-45.....	128	CA232-MD/10.....	10, 237
58500.....	99	CA232-MD/15.....	10, 237
58510.....	99	CA232-MD/20.....	10, 237
58706.....	126	CA232-MD/25.....	10, 237
58716.....	126	CA232-SM/5.....	10, 236
58726.....	126	CA232-SM/10.....	10, 236
58736.....	126	CA232-SM/15.....	10, 236
58746.....	127	CA232-SM/20.....	10, 236
58756.....	127	CA232-SM/25.....	10, 236
58986.....	126	CA272-MD/30.....	239
58996.....	126	CA272-MD/40.....	239
79233.....	134	CA272-MD/50.....	239
80312.....	125, 276	CA272-MD/60.....	239
80612.....	125, 276	CA272-SM/30.....	239
81312.....	125, 276	CA272-SM/40.....	239
81612.....	125, 276	CA272-SM/50.....	239
81913.....	125, 276	CA272-SM/60.....	239
83512.....	275	CA300C-MD/5.....	241
90121.....	117	CA300C-MD/10.....	241
94102.....	124, 133	CA300C-MD/15.....	241
A-J62.....	249	CA300C-MD/20.....	241
A-J82.....	249	CA300C-MD/25.....	241
A-J122.....	249	CA300C-MD/30.....	241
A-JB6.....	248	CA300C-MD/40.....	241
A-JB8.....	248	CA300C-MD/50.....	241
A-JTB6.....	249	CA300C-SM/5.....	241
A-JTB8.....	249	CA300C-SM/10.....	241
A-JTE6.....	247	CA300C-SM/15.....	241
CA102-MD/5.....	236	CA300C-SM/20.....	241
CA102-MD/10.....	236	CA300C-SM/25.....	241
CA102-MD/15.....	236	CA300C-SM/30.....	241
CA102-MD/20.....	236	CA300C-SM/40.....	241
CA102-MD/25.....	236	CA300C-SM/50.....	241
CA102-MD/30.....	236	CA300-MD/5.....	239
CA102-MD/40.....	236	CA300-MD/10.....	239
CA102-MD/50.....	236	CA300-MD/15.....	239
CA102-MD/60.....	236	CA300-MD/20.....	239
CA102-MD/70.....	236	CA300-MD/25.....	239
CA102-SM/5.....	236	CA300-MD/30.....	239
CA102-SM/10.....	236	CA300-MD/40.....	239
CA102-SM/15.....	236	CA300-MD/50.....	239
CA102-SM/20.....	236	CA300-SM/5.....	239
CA102-SM/25.....	236	CA300-SM/10.....	239
CA102-SM/30.....	236	CA300-SM/15.....	239
CA102-SM/40.....	236	CA300-SM/20.....	239

CA300-SM/25.....	239	CAF-8.....	248
CA300-SM/30.....	239	CAF-10.....	248
CA300-SM/40.....	239	CA-JAB6.....	248
CA300-SM/50.....	239	CA-MLN1/8-1.....	243
CA500C-MD/5.....	242	CA-MLN3/16-1.....	243
CA500C-MD/10.....	242	CA-MLT1/8-1.....	243
CA500C-MD/15.....	242	CA-MLT3/16-1.....	243
CA500C-MD/20.....	242	CA-MSN1/8-1.....	244
CA500C-MD/25.....	242	CA-MSN3/16-1.....	244
CA500C-MD/30.....	242	CA-MST1/8-1.....	244
CA500C-MD/40.....	242	CA-MST3/16-1.....	244
CA500C-MD/50.....	242	CAPL-TB-HB-4.....	246
CA500C-SM/5.....	242	CAPL-TB-HB-6.....	246
CA500C-SM/10.....	242	CAPUL-4-2.030.....	244
CA500C-SM/15.....	242	CAPUL-4-2.375.....	244
CA500C-SM/20.....	242	CAPUL-4-3.03.....	244
CA500C-SM/25.....	242	CAPUL-4-12.....	244
CA500C-SM/30.....	242	CAPUL-6-2.030.....	244
CA500C-SM/40.....	242	CAPUL-6-2.375.....	244
CA500C-SM/50.....	242	CAPUL-6-3.03.....	244
CA500W-MD/5.....	241	CAPUL-6-12.....	244
CA500W-MD/10.....	241	CAPUL-8-2.030.....	244
CA500W-MD/15.....	241	CAPULCOV.....	252
CA500W-MD/40.....	241	CAS-4.....	247
CA500W-SM/5.....	241	CAS-6.....	247
CA500W-SM/10.....	241	CAS-8.....	247
CA500W-SM/15.....	241	CAS-12.....	247
CA500W-SM/25.....	241	CA-WLN1/8-1.....	242
CA500W-SM/30.....	241	CA-WLN3/16-1.....	242
CA500W-SM/40.....	241	CA-WLT1/8-1.....	243
CA500W-SM/50.....	241	CA-WLT3/16-1.....	243
CA601-MD/5.....	238	CA-WSN1/8-1.....	243
CA601-MD/10.....	238	CA-WSN3/16-1.....	243
CA601-MD/15.....	238	CA-WST1/8-1.....	243
CA601-MD/20.....	238	CA-WST3/16-1.....	243
CA601-MD/25.....	238	CR014.....	249
CA601-MD/30.....	238	CR018.....	249
CA601-MD/40.....	238	CR038.....	249
CA601-MD/50.....	238	CR316.....	249
CA601-SM/5.....	238	CR516.....	249
CA601-SM/10.....	238	CR3221.....	251
CA601-SM/15.....	238	CR3222.....	251
CA601-SM/20.....	238	CR3223.....	251
CA601-SM/25.....	238	CR3278.....	247
CA601-SM/30.....	238	CS-TUBE.....	251
CA601-SM/40.....	238	E40900.....	215
CA601-SM/50.....	238	E40910.....	215
CA703-SM/5.....	238	E40911.....	215
CA703-SM/10.....	238	E40912.....	215
CA703-SM/15.....	238	E40920.....	215
CA703-SM/20.....	238	E40921.....	215
CA703-SM/25.....	238	E40922.....	215
CABW32-6.....	251	E40930.....	215
CABW32-6W.....	251	E40940.....	215
CABW38-6.....	252	E40960.....	215
CABW.250-32.....	251	E620075.....	214
CA-CAP/S/S.....	250	E620080.....	214
CAF-4.....	248	E620085.....	214
CAF-6.....	248	E640075.....	214

E640080.....	214	KK12-5.....	139
E640085.....	214	KK12-6.....	139
E1200120.....	60, 67, 227	KK12-7.....	139
E1200130.....	60, 67, 228	KK12-8.....	139
E1530100.....	60, 68, 175	KK14-4.....	145
E1540100.....	61, 69, 184	KK14-5.....	145
E1999892.....	66	KK14-6.....	145
E2000100.....	214	KK14-7.....	145
E2000200.....	214	KK14-8.....	145
E2000500.....	214	KK14-9.....	145
E2000600.....	214	KK15-4.....	135
E2100100.....	214	KK15-5.....	135
E2100200.....	214	KK15-6.....	135
E2100500.....	214	KK15-8.....	135
E2100600.....	214	KK15-9.....	135
E40930304.....	215	KK16-5.....	138
E40940304.....	215	KK16-6.....	138
ELED0001.....	62	KK16-7.....	138
ELED0002.....	63	KK16-8.....	138
ELED0003.....	64	KK16-9.....	138
ELED0004.....	64	KK17-5.....	142
ELED0005.....	64	KK17-6.....	142
ELED0009.....	64	KK17-7.....	142
ELED0012.....	64	KK17-8.....	142
ELED0014.....	64	KK17-9.....	142
ELED0100.....	63	KK18-6.....	145
ELED0110.....	63	KK18-7.....	145
ELED0120.....	63	KK18-8.....	145
ELED0130.....	63	KK19-5.....	141
EP830-8-ORB.....	258	KK19-6.....	141
EP830-8-PC.....	258	KK19-7.....	141
EP840-ORB.....	258	KK19-8.....	141
EP840-PC.....	258	KK19-9.....	141
EP841-ORB.....	259	KK19-85.....	141
EP841-PC.....	259	KK20-4.....	136
EP842-ORB.....	259	KK20-5.....	136
EP842-PC.....	259	KK20-6.....	136
EP848-ORB.....	258	KK20-8.....	136
EP848-PC.....	258	KK20-9.....	136
F-J62.....	248	KK21-4.....	139
F-J82.....	248	KK21-5.....	139
F-J122.....	248	KK21-6.....	139
G-C6-1.....	251	KK21-7.....	139
G-C8-1.....	251	KK21-8.....	139
GI-C6-1.....	251	KK21-9.....	139
GI-C8-1.....	251	KK25-4.....	137
KK10-4.....	137	KK25-5.....	137
KK10-5.....	137	KK25-6.....	137
KK10-6.....	137	KK25-8.....	137
KK10-7.....	137	KK25-9.....	137
KK10-8.....	137	KK26-4.....	141
KK10-9.....	137	KK26-5.....	141
KK10-65.....	137	KK26-6.....	141
KK10-67.....	137	KK26-7.....	141
KK10-75.....	137	KK26-8.....	141
KK10-76.....	137	KK26-9.....	141
KK10-78.....	137	KK26-87.....	141
KK10-87.....	137	KK29-6.....	140
KK10-98.....	137	KK29-8.....	140

KK30-6.....	142	KK64-6.....	147
KK30-7.....	142	KK64-7.....	147
KK30-8.....	142	KK64-8.....	147
KK31-8.....	148	KK65-6.....	148
KK35-4.....	142	KK66-6.....	148
KK35-5.....	142	KK66-7.....	148
KK35-6.....	142	KK66-8.....	148
KK35-7.....	142	KK67-7.....	146
KK35-8.....	142	KK67-8.....	146
KK35-9.....	142	KK68-6.....	147
KK40-5.....	144	KK68-7.....	147
KK40-6.....	144	KK68-8.....	147
KK40-7.....	144	KK69-6.....	147
KK40-8.....	144	KK69-7.....	147
KK40-9.....	144	KK69-8.....	147
KK45-4.....	143	KK70-5.....	150
KK45-5.....	143	KK70-6.....	150
KK45-6.....	143	KK70-7.....	150
KK45-7.....	143	KK70-8.....	150
KK45-8.....	143	KK71-6.....	150
KK45-9.....	143	KK71-7.....	150
KK45-65.....	143	KK71-8.....	150
KK45-76.....	143	KK72-8.....	150
KK45-86.....	143	KK75-4.....	151
KK45-87.....	143	KK75-5.....	151
KK45-98.....	143	KK75-6.....	151
KK46-4.....	143	KK75-8.....	151
KK46-5.....	143	KK76-5.....	152
KK46-6.....	143	KK76-6.....	152
KK46-7.....	143	KK76-7.....	152
KK46-8.....	143	KK76-8.....	152
KK46-9.....	143	KK78-5.....	152
KK55-6.....	135	KK78-6.....	152
KK55-7.....	135	KK78-7.....	152
KK55-8.....	135	KK78-8.....	152
KK56-7.....	136	KK79-7.....	151
KK56-8.....	136	KK81-5.....	151
KK59-5.....	145	KK81-6.....	151
KK59-6.....	145	KK81-7.....	151
KK59-7.....	145	KK81-8.....	151
KK59-8.....	145	KK81-9.....	151
KK59-9.....	145	KK82-5.....	151
KK60-5.....	145	KK82-6.....	151
KK60-6.....	145	KK82-7.....	151
KK60-7.....	145	KK82-8.....	151
KK60-8.....	145	KK82-9.....	151
KK61-4.....	146	KK83-5.....	152
KK61-5.....	146	KK83-6.....	152
KK61-6.....	146	KK83-7.....	152
KK61-7.....	146	KK83-8.....	152
KK61-8.....	146	KK84-5.....	149
KK61-9.....	146	KK84-6.....	149
KK62-5.....	146	KK84-7.....	149
KK62-6.....	146	KK84-8.....	149
KK62-8.....	146	KK84-9.....	149
KK62-9.....	146	KK86-7.....	138
KK63-6.....	146	KK86-8.....	138
KK63-7.....	146	KK87-7.....	136
KK63-8.....	146	KK87-8.....	136

KK88-7.....	138	KKA35-8.....	143
KK88-8.....	138	KKA40-8.....	144
KK89-7.....	142	KKA45-7.....	140
KK89-8.....	142	KKA45-8.....	140
KK90-8.....	139	KKBC53-77.....	135
KK91-8.....	144	KKBC53-88.....	135
KK92-8.....	136	KKC50-44.....	138
KK93-8.....	139	KKC50-55.....	138
KK97-4.....	158, 276	KKC50-66.....	138
KK97-6.....	158, 276	KKC50-88.....	138
KK97-6S.....	158, 276	KKC50-99.....	138
KK97-7.....	158, 276	KKC51-555.....	154
KK97-7L1.....	158, 276	KKC51-666.....	154
KK97-7S.....	158, 276	KKC51-777.....	154
KK100-6.....	158	KKC51-888.....	154
KK100-7.....	158	KKC51-999.....	154
KK105-6.....	150	KKC52-555.....	154
KK105-7.....	150	KKC52-666.....	154
KK105-8.....	150	KKC52-777.....	154
KK105-9.....	150	KKC52-888.....	154
KK114-6.....	140	KKC58-5.....	149
KK114-7.....	140	KKC58-6.....	149
KK114-8.....	140	KKC58-7.....	149
KK115-6.....	147	KKC58-8.....	149
KK115-7.....	147	KKC58-9.....	149
KK115-8.....	147	KKF50-4.....	153
KK118-8.....	150	KKF50-5.....	153
KK121-7.....	144	KKF50-6.....	153
KK133-A.....	149	KKF50-7.....	153
KK133-B.....	149	KKF50-8.....	153
KK133-C.....	149	KKF50-9.....	153
KK133-D.....	149	KKM50-4.....	157
KK133-E.....	149	KKM50-5.....	157
KK145-7.....	143	KKM50-6.....	157
KK262-8.....	146	KKM50-7.....	157
KK265-7.....	148	KKM50-8.....	157
KK265-8.....	148	KKM50-9.....	157
KK316-7.....	149	KKM51-5.....	153
KK316-8.....	149	KKM51-6.....	153
KK320LH-7.....	155	KKM51-7.....	153
KK320LH-8.....	155	KKM51-8.....	153
KK320RH-7.....	155	KKM51-9.....	153
KK320RH-8.....	155	KKM52-5.....	154
KK325-7.....	155	KKM52-6.....	154
KK325-8.....	155	KKM52-7.....	154
KK325A-7.....	155	KKM52-8.....	154
KK325A-8.....	155	KKM58.....	156
KK326-7.....	155	KKMH50-6.....	153
KK326-8.....	155	KKMH51-6.....	154
KK327-7.....	138	KKP50-8.....	152
KK327-8.....	138	KKP51-8.....	153
KK350-8.....	156	KKP57-7.....	153
KK351-8.....	156	KKP57SLOT-8.....	152
KK555-8.....	156	KKP58-7.....	153
KK570-7.....	156	LB-00-505SET.....	258
KKA10-7S.....	140	LB-00-506SET.....	259
KKA10-8.....	140	LB-02-8150A.....	257
KKA12-8.....	141	LB-02-A106/6.....	257
KKA21/A26-8.....	141	LB-02-A106/8.....	257

LB-07-505SET	258	QS-170	274
LB-07-8150A	257	QS-171	80, 175, 274
LB-10-505SET	258	QS-247	276
LB-10-506SET	259	QS-519	277
LB-10-8150A	257	R-6-12	247
LB-10-A106/6	257	R-6-22	247
LB-10-A106/8	257	R-6-32	247
LB-10-A106/12	257	R-6-62	247
LB-14-505SET	258	R-6-72	247
LB-14-8150A	257	R-8-22	247
LB-26-505SET	258	R-8-32	247
LB-26-8150A	257	R-8-52	247
LB-26-A106/6	257	R-12-32	247
LB-26-A106/8	257	RF-4	249
LB-26-E103/2030	262	RF-6	249
LB-26-E103/3048	262	RF-8	249
LB-26-E103/4872	262	RF-12	249
LB-26-E103/72120	262	RM-12	252
LB-44-A106/6	257	RM-38	252
LB-44-A106/8	257	SC-6	247, 252
LB-44-E103/2030	262	SC-8	252
LB-44-E103/3048	262	SG-38820-25	260
LB-44-E103/4872	262	SG-38830-25	260
LB-44-E103/72120	262	SG-38845-25	260
LB-50-A106/4	257	SG-38860-25	260
LB-50-A106/6	257	SG-BOS-180	260
LB-50-A106/8	257	SG-BOS-240	260
LB-50BK-A106/4	257	SG-EB-303/EP	260
LB-50BK-A106/6	257	SG-SP-18E/BLK	261
LB-50BK-A106/8	257	SG-SP-18E/WHT	261
LE-6	246	SG-SPH-5	261
LE-6L	252	SG-SPH-15	261
LE-8	246	SG-SPH-20	261
PL-AB4	246	SG-SPH-1820	260
PL-AB6	246	SG-TAS-800L/G	262
PL-KEY	250	SG-TAS-800L/U	262
PL-L4	247	SG-TAS-800R/G	262
PL-L4L	247	SG-TAS-800R/U	262
PL-L6	247	SRM-12	252
PL-L6L	247	SRM-38	252
PLST-4	244	TAW-1200-GR	262
PLST-6	244	VGJ-PT4C	250
PL-TB-AB-4	244	VGJ-PT6C	250
PL-TB-AB-6	244		
PL-TB-TB-4	246		
PL-TB-TB-6	246		
PL-TE4	246		
PL-TE6	246		
QS-2	79, 80, 89, 174, 175, 275		
QS-6	275		
QS-60	276		
QS-86	80, 88, 174, 275		
QS-111	80, 88, 174, 176, 275		
QS-113	74, 75, 79, 80, 89, 174, 176, 180, 182, 184, 187, 206, 207, 275		
QS-120	275		
QS-122	275		
QS-127	274		
QS-131	274		



BuyRailings

BuyRailings Office & Warehouse
71 Commerce Drive
Brookfield, CT 06804

sales@buyrailings.com

buyrailings.com
877-810-4116